

MB86295S < CORAL P >

PCI Graphics Controller Specification

Revision 1.1
8th January, 2003



Copyright © FUJITSU LIMITED 2002

ALL RIGHTS RESERVED

- The specifications in this manual are subject to change without notice. Contact our Sales Department before purchasing the product described in this manual.
- Information and circuit diagrams in this manual are only examples of device applications, they are not intended to be used in actual equipment. Also, Fujitsu accepts no responsibility for infringement of patents or other rights owned by third parties caused by use of the information and circuit diagrams.
- The contents of this manual must not be reprinted or duplicated without permission of Fujitsu.
- Fujitsu's semiconductor devices are intended for standard uses (such as office equipment (computers and OA equipment), industrial/communications/measuring equipment, and personal/home equipment). Customers using semiconductor devices for special applications (including aerospace, nuclear, military and medical applications) in which a failure or malfunction might endanger life or limb and which require extremely high reliability must contact our Sales Department first. If damage is caused by such use of our semiconductor devices without first consulting our Sales Department, Fujitsu will not assume any responsibility for the loss.
- Semiconductor devices fail with a known probability. Customers must use safety design (such as redundant design, fireproof design, over-current prevention design, and malfunction prevention design) so that failures will not cause accidents, injury or death).
- If the products described in this manual fall within the goods or technologies regulated by the Foreign Exchange and Foreign Trade Law, permission must be obtained before exporting the goods or technologies.

All Rights Reserved

The contents of this document are subject to change without notice. Customers are advised to consult with FUJITSU sales representatives before ordering. The information and circuit diagrams in this document are presented as examples of semiconductor device applications, and are not intended to be incorporated in devices for actual use. Also, FUJITSU is unable to assume responsibility for infringement of any patent rights or other rights of third parties arising from the use of this information or circuit diagrams. The products described in this document are designed, developed and manufactured as contemplated for general use, including without limitation, ordinary industrial use, general office use, personal use, and household use, but are not designed, developed and manufactured as contemplated (1) for use accompanying fatal risks or dangers that, unless extremely high safety is secured, could have a serious effect to the public, and could lead directly to death, personal injury, severe physical damage or other loss (i.e., nuclear reaction control in nuclear facility, aircraft flight control, air traffic control, mass transport control, medical life support system, missile launch control in weapon system), or (2) for use requiring extremely high reliability (i.e., submersible repeater and artificial satellite).

Please note that Fujitsu will not be liable against you and/or any third party for any claims or damages arising in connection with above-mentioned uses of the products. Any semiconductor devices have an inherent chance of failure. You must protect against injury, damage or loss from such failures by incorporating safety design measures into your facility and equipment such as redundancy, fire protection, and prevention of over-current levels and other abnormal operating conditions. If any products described in this document represent goods or technologies subject to certain restrictions on export under the Foreign Exchange and Foreign Trade Law of Japan, the prior authorization by Japanese government will be required for export of those products from Japan.

Update history

Date	Version	Page count	Change
22.8.2002	0.1	266	First edition (update from Coral-LQ specification)
26.8.2002	0.2	272	Video capture description added
12.11.2002	0.3	274	Minor updates to host interface description. Addition of waveforms/timing.
27.11.2002	0.4	276	Refer diff03vs04.txt file.
2.12.2002	0.4a	277	Video Input Register update
6.12.2002	1.0	283	First release
26.12.2002	1.0a	282	Delete the description of two host interface registers.
8.1.2003	1.1	300	I ² C interface and PCI configuration register description added

CONTENTS

1. GENERAL	1
1.1 Preface.....	1
1.2 Features.....	2
1.3 Block Diagram.....	3
1.4 Functional Overview.....	4
1.4.1 Host CPU interface.....	4
1.4.2 External memory interface.....	5
1.4.3 Display controller.....	6
1.4.4 Video capture function.....	8
1.4.5 Geometry processing.....	9
1.4.6 2D Drawing.....	10
1.4.7 3D Drawing.....	12
1.4.8 Special effects.....	13
1.4.9 Others.....	15
2. PINS	16
2.1 Signals.....	16
2.1.1 Signal lines.....	16
2.2 Pin Assignment.....	17
2.2.1 Pin assignment diagram.....	17
2.2.2 Pin assignment table.....	18
2.3 Pin Function.....	26
2.3.1 Host CPU interface.....	26
2.3.2 Video output interface.....	28
2.3.3 Video capture interface.....	29
2.3.4 I ² C interface.....	30
2.3.5 Graphics memory interface.....	31
2.3.6 Clock input.....	32
2.3.7 Test pins.....	33
2.3.8 Reset sequence.....	33
2.3.9 How to switch internal operating frequency.....	33
3. HOST INTERFACE	34
3.1 Standard PCI Slave Accesses.....	34
3.1.1 PCI Slave Write.....	34
3.1.2 PCI Slave Read.....	34
3.2 Burst Controller Accesses (including PCI Master).....	34
3.2.1 Transfer Modes.....	35
3.2.2 Burst Controller Control/Status.....	36
3.3 FIFO Transfers.....	37
3.4 GPIO/Serial Interface.....	37
3.4.1 GPIO.....	37
3.4.2 Serial Interface.....	37
3.5 Interrupt.....	38
3.5.1 Internal Bus/FIFO timeout.....	38
3.5.2 Address Error Interrupt.....	39
3.6 Memory Map.....	39
4. I²C Interface Controller	41
4.1 Features.....	41
4.2 Block diagram.....	42

4.2.1 Block Diagram.....	42
4.2.2 Block Function Overview.....	43
4.3 Example application	44
4.3.1 Connection Diagram.....	44
4.4 Function overview	45
4.4.1 START condition.....	45
4.4.2 STOP condition.....	45
4.4.3 Addressing.....	46
4.4.4 Synchronization of SCL.....	46
4.4.5 Arbitration	47
4.4.6 Acknowledge.....	47
4.4.7 Bus error.....	47
4.4.8 Initialize	48
4.4.9 1-byte transfer from master to slave.....	49
4.4.10 1-byte transfer from slave to master	50
4.4.11 Recovery from bus error.....	51
4.5 Note	52
5. DISPLAY CONTROLLER	53
5.1 Overview	53
5.2 Display Function.....	54
5.2.1 Layer configuration.....	54
5.2.2 Overlay.....	55
5.2.3 Display parameters.....	57
5.2.4 Display position control.....	58
5.3 Display Color.....	60
5.4 Cursor	61
5.4.1 Cursor display function.....	61
5.4.2 Cursor control.....	61
5.5 Display Scan Control	62
5.5.1 Applicable display.....	62
5.5.2 Interlace display.....	63
5.6 Video Interface, NTSC/PAL Output.....	64
6. Video Capture	65
6.1 Input Formats.....	65
6.2 ITU RBT -656 input.....	65
6.2.1 YUV input format.....	65
6.2.2 Synchronous Control.....	65
6.2.3 Non-interlace Transformation	66
6.2.4 Area Allocation.....	66
6.3 RGB input.....	67
6.3.1. RGB input modes	67
6.3.2. RGB Input Signals.....	67
6.3.3. Captured Range	68
6.3.4. Direct Input Mode Operation.....	69
6.3.5 Multiplex Input Mode Operation.....	69
6.3.6. Even/Odd field Recognition.....	70
6.3.7. Conversion Operation.....	70
6.4 Scaling	71
6.4.1 Downscaling Function.....	71
6.4.2 Upscaling Function.....	71

7. GEOMETRY ENGINE	72
7.1 Geometry Pipeline.....	72
7.1.1 Processing flow.....	72
7.1.2 Model-view-projection (MVP) transformation (OC→CC coordinate transformation).....	73
7.1.3 3D-2D transformation (CC→NDC coordinate transformation).....	73
7.1.4 View port transformation (NDC→DC coordinate transformation)	74
7.1.5 View volume clipping.....	74
7.1.6 Back face culling.....	76
7.2 Data Format.....	77
7.2.1 Data format.....	77
7.3 Setup Engine	78
7.3.1 Setup processing.....	78
7.4 Log Output of Device Coordinates.....	78
7.4.1 Log output mode.....	78
7.4.2 Log output destination address	78
8. DRAWING PROCESSING	79
8.1 Coordinate System.....	79
8.1.1 Drawing coordinates.....	79
8.1.2 Texture coordinates.....	80
8.1.3 Frame buffer.....	80
8.2 Figure Drawing.....	81
8.2.1 Drawing primitives	81
8.2.2 Polygon drawing function	81
8.2.3 Drawing parameters.....	82
8.2.4 Anti-aliasing function.....	83
8.3 Bit Map Processing.....	84
8.3.1 BLT.....	84
8.3.2 Pattern data format	84
8.4 Texture Mapping.....	85
8.4.1 Texture size.....	85
8.4.2 Texture memory.....	85
8.4.3 Texture color.....	85
8.4.4 Texture lapping.....	86
8.4.5 Filtering.....	87
8.4.6 Perspective correction.....	87
8.4.7 Texture blending	88
8.4.8 Bi-linear high-speed mode.....	88
8.5 Rendering	90
8.5.1 Tiling.....	90
8.5.2 Alpha blending.....	90
8.5.3 Logic operation.....	91
8.5.4 Hidden plane management.....	91
8.6 Drawing Attributes.....	92
8.6.1 Line drawing attributes	92
8.6.2 Triangle drawing attributes	92
8.6.3 Texture attributes	92
8.6.4 BLT attributes.....	93
8.6.5 Character pattern drawing attributes	93
8.7 Bold Line	94
8.7.1 Starting and ending points.....	94

8.7.2	Broken line pattern.....	95
8.7.3	Edging.....	96
8.7.4	Interpolation of bold line joint.....	96
8.8	DISPLAY LIST.....	97
8.8.1	Overview.....	97
8.8.2	Header format	98
8.8.3	Parameter format.....	98
8.8.4	Geometry command list	99
8.8.5	Explanation of geometry commands	102
8.9	Rendering Command.....	112
8.9.1	Command list.....	112
8.9.2	Details of rendering commands	116
9.	PCI Configuration Registers	127
9.1	PCI Configuration register list.....	127
9.2	PCI Configuration Registers Descriptions.....	128
10	Local Memory Registers	131
10.1	Local memory register list.....	131
10.1.1	Host interface register list.....	131
10.1.2	I ² C interface register list	133
10.1.3	Graphics memory interface register list.....	133
10.1.4	Display controller register list.....	134
10.1.5	Video capture register list.....	139
10.1.6	Drawing engine register list.....	141
10.1.7	Geometry engine register list.....	147
10.2	Explanation of Local Memory Registers.....	148
10.2.1	Host interface registers	149
10.2.2	I ² C Interface Registers	162
10.2.3	Graphics memory interface registers	168
10.2.4	Display control register.....	171
10.2.5	Video capture registers.....	219
10.2.6	Drawing control registers.....	231
10.2.7	Drawing mode registers.....	234
10.2.8	Triangle drawing registers.....	250
10.2.9	Line drawing registers.....	253
10.2.10	Pixel drawing registers	254
10.2.11	Rectangle drawing registers.....	254
10.2.12	Blt registers	256
10.2.13	High-speed 2D line drawing registers.....	257
10.2.14	High-speed 2D triangle drawing registers	258
10.2.15	Geometry control register	259
10.2.16	Geometry mode registers	261
10.2.17	Display list FIFO registers.....	268
11.	TIMING DIAGRAM	269
11.1	Host Interface	269
11.1.1	PCI Interface.....	269
11.1.2	EEPROM Timing.....	270
11.1.3	Serial Interface Timing.....	271
11.2	I ² C Interface	272
11.3	Graphics Memory Interface.....	273
11.3.1	Timing of read access to same row address.....	273

11.3.2	Timing of read access to different row addresses	274
11.3.3	Timing of write access to same row address	275
11.3.4	Timing of write access to different row addresses.....	276
11.3.5	Timing of read/write access to same row address.....	277
11.3.6	Delay between ACTV commands.....	278
11.3.7	Delay between Refresh command and next ACTV command.....	278
11.4	Display Timing	279
11.4.1	Non-interlace mode.....	279
11.4.2	Interlace video mode	280
11.4.3	Composite synchronous signal.....	281
12.	ELECTRICAL CHARACTERISTICS	282
12.1	Introduction	282
12.2	Maximum Rating.....	282
12.3	Recommended Operating Conditions.....	283
12.3.1	Recommended operating conditions	283
12.3.2	Note at power-on.....	283
12.4	DC Characteristics.....	284
12.5	AC Characteristics.....	285
12.5.1	Host interface.....	285
12.5.2	I ² C Interface.....	287
12.5.3	Video interface.....	288
12.5.4	Graphics memory interface.....	289
12.5.5	PLL specifications.....	296
12.6	AC Characteristics Measuring Conditions.....	297
12.7	Timing Diagram.....	298
12.7.1	Host interface.....	298
12.7.2	Video interface.....	299
12.7.3	Graphics memory interface.....	300

1. GENERAL

1.1 Preface

The MB86295S <CORAL P> is a graphics controller with PCI host interface.

Note:

This device has a I²C interface. Purchase of Fujitsu I²C components conveys a license under the Philips I²C Patent Right to use these components in an I²C system, provided that the system conforms to the I²C Standard Specification as defined by Philips.

1.2 Features

- Geometry engine

Geometry engine supports the geometry processing that is compatible**1 with ORCHID (MB86292). Using the display list created by ORCHID enables drawing. Heavy processing of geometric operations such as coordinates conversions or clipping performed by this device can reduce the CPU loads dramatically. **1(Floating point setup command is tbd)

- 2D and 3D Drawing

The MB86295 has a drawing function that is compatible with the CREMSON (MB86290A). It can draw data using the display list created for CREMSON.

The MB86295 also supports 3D rendering, such as texture mapping with perspective collection and Gouraud shading, alpha blending, and anti-aliasing for drawing smooth lines.

- Digital video capture

The digital video capture function can store digital video data such as TV in graphics memory; it can display drawn images and video images on the same screen.

- Display controller

The MB86295 has a display controller that is compatible with ORCHID.

In addition to the traditional XGA (1024 × 768 pixels) display, 4-layer overlay, left/right split display, wrap-around scrolling, double buffers, and translucent display, function of 6-layer overlay, 4-sided for palette are expanded.

- Host CPU interface

The MB86295 has a 32 bit, 33MHz PCI interface fully compliant to PCI version 2.1.

- External memory interface

SDRAM and FC RAM can be connected.

- Optional function

Final device can be selected from the combination of geometry high-/low-speed version and video capture function provided/ not provided.

- Others

CMOS technology 0.18μm

BGA256 Package

Supply voltage:1.8 V (internal operation) /3.3 V (I/O)

1.3 Block Diagram

CORAL general block diagram is shown below:

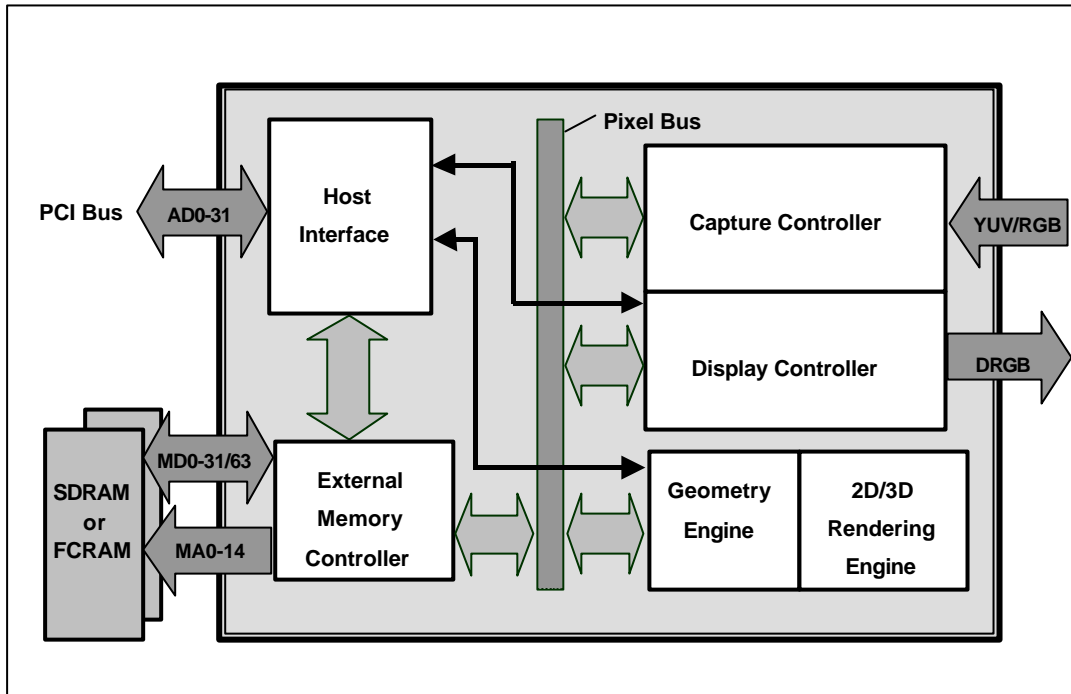


Fig.1.1 CORAL P Block Diagram

1.4 Functional Overview

1.4.1 Host CPU interface

Supported CPU

The MB86295 can be connected to any CPU with a 32MHz 32-bit PCI v2.1 host interface.

Configuration

EEPROM configuration supported

Serial interface for external device control through PCI interface

PCI Slave

Supports burst reads/writes of up to 8 double words (32 bytes).

Supports multi-burst transfers with automatic pre-fetch.

PCI Master

Supports transfers of up to $2^{24}-1$ double words in bursts of between 1 and 8 double words.

Supports all combinations of transfer (PCI->PCI, PCI->Internal, Internal->PCI)

Host notification on burst complete and/or transfer complete

Optional external burst initiation control

Internal DMA

Supports transfers of up to $2^{24}-1$ double words in bursts of between 1 and 8 double words.

Interrupt

Vertical (frame) synchronous detection

Field synchronous detection

External synchronous error detection

Drawing command error

Drawing command execution end

Burst/Transfer complete

1.4.2 External memory interface

SDRAM or FCRAM can be connected.

64 bits or 32 bits can be selected for data bus.

Max. 133 MHz is available for operating frequency.

Connectable memory configuration is as shown below.

External Memory Configuration

Type	Data bus width	Use count	Total capacity
FCRAM 16 Mbits (x32 Bits)	32 Bits	2	4 Mbytes
FCRAM 16 Mbits (x32 Bits)	64 Bits	4	8 Mbytes
SDRAM 64 Mbits (x32 Bits)	32 Bits	1	8 Mbytes
SDRAM 64 Mbits (x32 Bits)	64 Bits	2	16 Mbytes
SDRAM 64 Mbits (x16 Bits)	32 Bits	2	16 Mbytes
SDRAM 64 Mbits (x16 Bits)	64 Bits	4	32 Mbytes
SDRAM 128 Mbits (x32 Bits)	32 Bits	1	16 Mbytes
SDRAM 128 Mbits (x32 Bits)	64 Bits	2	32 Mbytes
SDRAM 128 Mbits (x16 Bits)	32 Bits	2	32 Mbytes
SDRAM 128 Mbits (x16 Bits)	64 Bits	4	64 Mbytes
SDRAM 256 Mbits (x16 Bits)	32 Bits	2	64 Mbytes

1.4.3 Display controller

Video data output

Each 6-/8-bit digital video output is provided. When selecting each 8 bits output, usable external memory bus width is 32 bits only.

Screen resolution

LCD panels with wide range of resolutions are supported by using a programmable timing generator as follows:

Screen Resolutions

Resolutions
1024 × 768
1024 × 600
800 × 600
854 × 480
640 × 480
480 × 234
400 × 234
320 × 234

Hardware cursor

MB8629x supports two hardware cursor functions. Each of these hardware cursors is specified as a 64 × 64-pixel area. Each pixel of these hardware cursors is 8 bits and uses the same look-up table as indirect color mode.

Double buffer method

Double buffer method in which drawing window and display window is switched in units of 1 frame enables the smooth animation.

Flipping (switching of display window area) is performed in synchronization with the vertical blanking period using program.

Scroll method

Independent setting of drawing and display windows and their starting position enables the smooth scrolling.

Display colors

- Supports indirect color mode which uses the look-up table (color palette) in 8 bits/pixels.
- Entry for look-up table (color palette) corresponds to color code for 8 bits, in other words, 256. Color data is each 6 bits of RGB. Consequently, 256 colors can be displayed out of 260,000 colors.
- Supports direct color mode which specifies RGB with 16 bits/pixels.
- Supports direct color mode which specifies RGB with 24 bits/pixels.

Overlay

Compatibility mode

Up to four extra layers (C, W, M and B) can be displayed overlaid.

The overlay position for the hardware cursors is above/below the top layer (C).

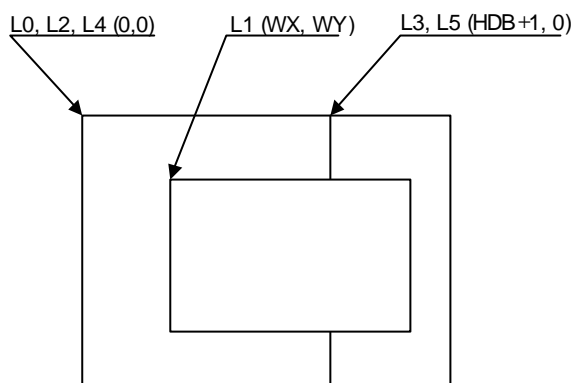
The transparent mode or the blend mode can be selected for overlay.

The M- and B-layers can be split into separate windows.

Window display can be performed for the W-layer.

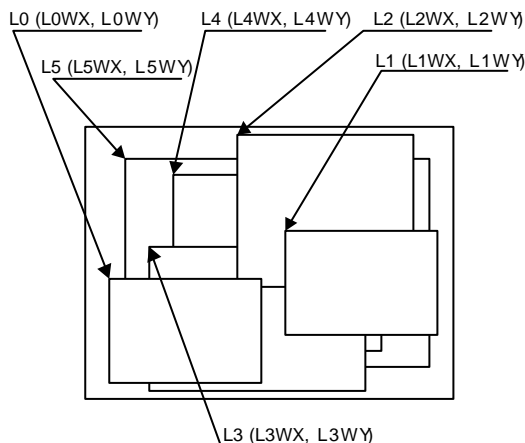
Two palettes are provided: C-layer and M-/B-layer.

The W-layer is used as the video input layer.



Window mode

- Up to six screens (L0 to 5) can be displayed overlaid.
- The overlay sequence of the L0- to L5-layers can be changed arbitrarily.
- The overlay position for the hardware cursors is above/below the L0-layer.
- The transparent mode or the blend mode can be selected for overlay.
- The L5-layer can be used as the blend coefficient plane (8 bits/pixel).
- Window display can be performed for all layers.
- Four palettes corresponded to L0 to 3 are provided.
- The L1-layer is used as the video input layer.
- Background color display is supported in window display for all layers.



1.4.4 Video capture function

Video input

- The input format is either ITU RBT-656 or RGB.
- The 8-bit video input pin and the external digital video decoder can be connected.
- Video data is stored in graphics memory once and then displayed on the screen in synchronization with the display scan.

Scaling

- A scale-up factor 1 to 2 can be used. PAL or NTSC images can be displayed on a wide screen.
- A scale-down factor 1 to 1/32 can be used.
- Picture-in-picture can be used to display drawn images and video images on the same screen.

1.4.5 Geometry processing

The MB86295 has a geometry engine for performing the numerical operations required for graphics processing. The geometry engine uses the floating-point format for highly precise operations. It selects the required geometry processing according to the set drawing mode and primitive type and executes processing to the final drawing.

Primitives

Point, line, line strip, independent triangle, triangle strip, triangle fan, and arbitrary polygon are supported.

MVP Transformation

MVP Transformation

Setting a 4×4 transformation matrix enables transformation of a 3D model view projection. Two-dimensional affine transformation is also possible.

Clipping

Clipping stops drawing of figures outside the window (field of view). Polygons (including concave shapes) can also be clipped.

Culling

Triangles on the back are not drawn.

3D-2D Transformation

This function transforms 3D coordinates (normalization) into 2D coordinates in orthogonal or perspective projections.

View port transformation

This function transforms normalized 2D coordinates into drawing (device) coordinates.

Primitive setup

This function automatically performs a variety of slope computations, etc., based on transforming vertex data into coordinates and prepares for rendering (setup).

Log output of device coordinates

The view port conversion results are output to the local memory.

1.4.6 2D Drawing

2D Primitives

MB8629x can perform 2D drawing for graphics memory (drawing plane) in direct color mode or indirect color mode.

Bold lines with width and broken lines can be drawn. With anti-aliasing smooth diagonal lines also can be drawn.

A triangle can be tiled in a single color or 2D pattern (tiling), or mapped with a texture pattern by specifying coordinates of the 2D pattern at each vertex (texture mapping). At texture mapping, drawing/non-drawing can be set in pixel units. Moreover, transparent processing can be performed using alpha blending. When drawing in single color or tiling without Gouraud shading or texture mapping, high-speed 2DLine and high-speed 2DTriangle can be used. Only vertex coordinates are set for these primitives. High-speed 2DTriangle is also used to draw polygons.

2D Primitives

Primitive type	Description
Point	Plots point
Line	Draws line
Bold line strip (provisional name)	Draws continuous bold line This primitive is used when interpolating the bold line joint.
Triangle	Draws triangle
High-speed 2DLine	Draws lines Compared to line, this reduces the host CPU processing load.
Arbitrary polygon	Draws arbitrary closed polygon containing concave shapes consisting of vertices

Arbitrary polygon drawing

Using this function, arbitrary closed polygon containing concave shapes consisting of vertices can be drawn. (There is no restriction on the count of vertices, however, the polygon with its sides crossed are not supported.) In this case, as a work area for drawing, polygon drawing flag buffer is used on the graphics memory. In drawing polygon, draw triangle for polygon drawing flag buffer using high-speed 2DTriangle. Decide any vertex as a starting point to draw triangle along the periphery. It enables you to draw final polygon form in single color or with tiling in a drawing frame.

BLT/Rectangle drawing

This function draws a rectangle using logic operations. It is used to draw pattern and copy the image pattern within the drawing frame. It is also used for clearing drawing frame and Z buffer.

BLT Attributes

Attribute	Description
Raster operation	Selects two source logical operation mode
Transparent processing	Performs BLT without drawing pixel consistent with the transparent color.
Alpha blending	The alpha map and source in the memory is subjected to alpha blending and then copied to the destination.

Pattern (Text) drawing

This function draws a binary pattern (text) in a specified color.

Pattern (Text) Drawing Attributes

Attribute	Description
Enlarge	Vertically 2×2 Horizontally $\times 2$ Vertically and Horizontally $\times 2$
Shrink	Vertically $1/2 \times 1/2$ Horizontally $1/2$ Vertically and Horizontally $1/2$

Drawing clipping

This function sets a rectangle frame in drawing frame to prohibit the drawing of the outside the frame.

1.4.7 3D Drawing

3D Primitives

This function draws 3D objects in drawing memory in the direct color mode.

3D Primitives

Primitive	Description
Point	Plots 3D point
Line	Draws 3D line
Triangle	Draws 3D triangle
Arbitrary polygon	Draws arbitrary closed polygon containing concave shapes consisting of vertexes

3D Drawing attributes

Texture mapping with bi-linear filtering/automatic perspective correction and Gouraud shading provides high-quality realistic 3D drawing. A built-in texture mapping unit performs fast pixel calculations. This unit also delivers color blending between the shading color and texture color.

Hidden plane management

MB8629x supports the Z buffer for hidden plane management.

1.4.8 Special effects

Anti-aliasing

Anti-aliasing manipulates line borders of polygons in sub-pixel units and blend the pre-drawing pixel color with color to make the jaggies be seen smooth. It is used as a functional option for 2D drawing (in direct color mode only).

Bold line and broken line drawing

This function draws lines of a specific width and a broken line.

Line Drawing Attributes

Attribute	Description
Line width	Selectable from 1 to 32 pixels
Broken line	Set by 32 bit or 24 bit of broken line pattern

- Supports the verticality of starting and ending points.
- Supports the verticality of broken line pattern.
- Interpolation of bold line joint supports the following modes:
 - (1) Broken line pattern reference address fix mode
 - The same broken line pattern is kept referencing for the period of some pixels starting from the joint and the starting point for the next line.
 - (2) No interpolation
- Supports the equalization of the width of bold lines.
- Supports the bold line edging.
- Not support the Anti-aliasing of dashed line patterns.
- For a part overlaid due to connection of bold lines, natural overlay can be represented by providing depth information. (Z value).

Shading

Supports the shading primitive.

Drawing is performed to the body primitive coordinates (X, Y) with an offset as a shade. At this drawing, the Z buffer is used in order to differentiate between the body and shade.

Alpha blending

Alpha blending blends two image colors to provide a transparent effect. CORAL supports two types of blending; blending two different colors at drawing, and blending overlay planes at display. Transparent color is not used for these blending options.

There are two ways of specifying alpha blending for drawing:

- (1) Set a transparent coefficient to the register; the transparent coefficient is applied for transparency processing of one plane.
- (2) Set a transparent coefficient for each vertex of the plane; as with Gouraud shading, the transparent coefficient is linear-interpolated to perform transparent processing in pixel units.

In addition to the above, the following settings can be performed at texture mapping. When the most significant bit of each texture cell is 1, drawing or transparency can be set. When the most significant bit of each texture cell is 0, non-drawing can be set.

Alpha Blending

Type	Description
Drawing	Transparent ratio set in particular register While one primitive (polygon, pattern, etc.), being drawn, registered transparent ratio applied A transparent coefficient set for each vertex. A linear-interpolated transparent coefficient applied.
Overlay display	Blends top layer pixel color with lower layer pixel color Transparent coefficient set in particular register Registered transparent coefficient applied during one frame scan

Shading

Gouraud shading can be used in the direct color mode to provide 3D object real shading and color gradation.

Texture mapping

MB86295 supports texture mapping to map a image pattern onto the surface of plane. For 2D pattern texture mapping, MB86295 has a built-in pattern memory for a field of up to 64 × 64 pixels (at 16-bit color), which performs high-speed texture mapping. The texture pattern can also be laid out in the graphics memory. In this case, max. 4096 × 4096 pixels can be used.

Drawing of 8-/16-/24-bit direct color is supported for the texture pattern. For drawing 8-bit direct color, only point sampling can be specified for texture interpolation; only de-curl can be specified for the blend mode.

Texture Mapping

Function	Description
Filtering	Point sample Bi-linear filter
Coordinates correction	Linear Perspective
Blend	De-curl Modulate Stencil
Alpha blend	Normal Stencil Stencil alpha
Wrap	Repeat Cramp Border

1.4.9 Others

Direct color

24-bit direct color is supported in addition to 16-bit direct color as a drawing input data. The 24-bit direct color data is laid out on the memory by 32-bit-aligned.

Top-left rule non-applicable mode

In addition to the top-left rule applicable mode in which the triangle borders are compatible with CREMSON, the top-left rule non-applicable mode can be used.

Caution: Use perspective correct mode when use texture at the top-left rule non-applicable mode.

Top-left rule non-applicable primitives cannot use Geometry clip function.

Non-top-left-part's pixel quality is less than body. (using approximate calculation)

2. PINS

2.1 Signals

2.1.1 Signal lines

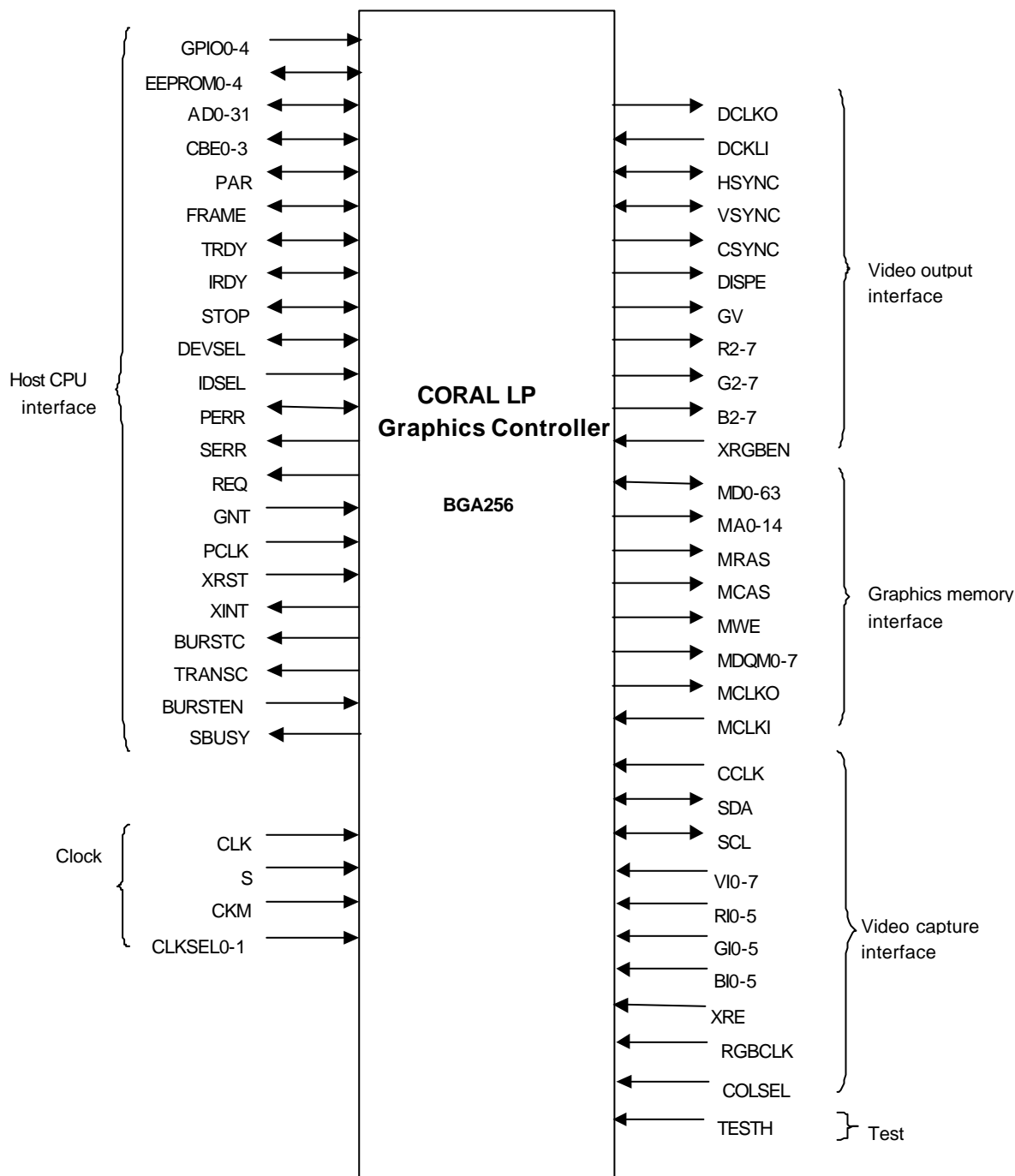


Fig. 2.1 CORAL LP Signal Lines

2.2 Pin Assignment

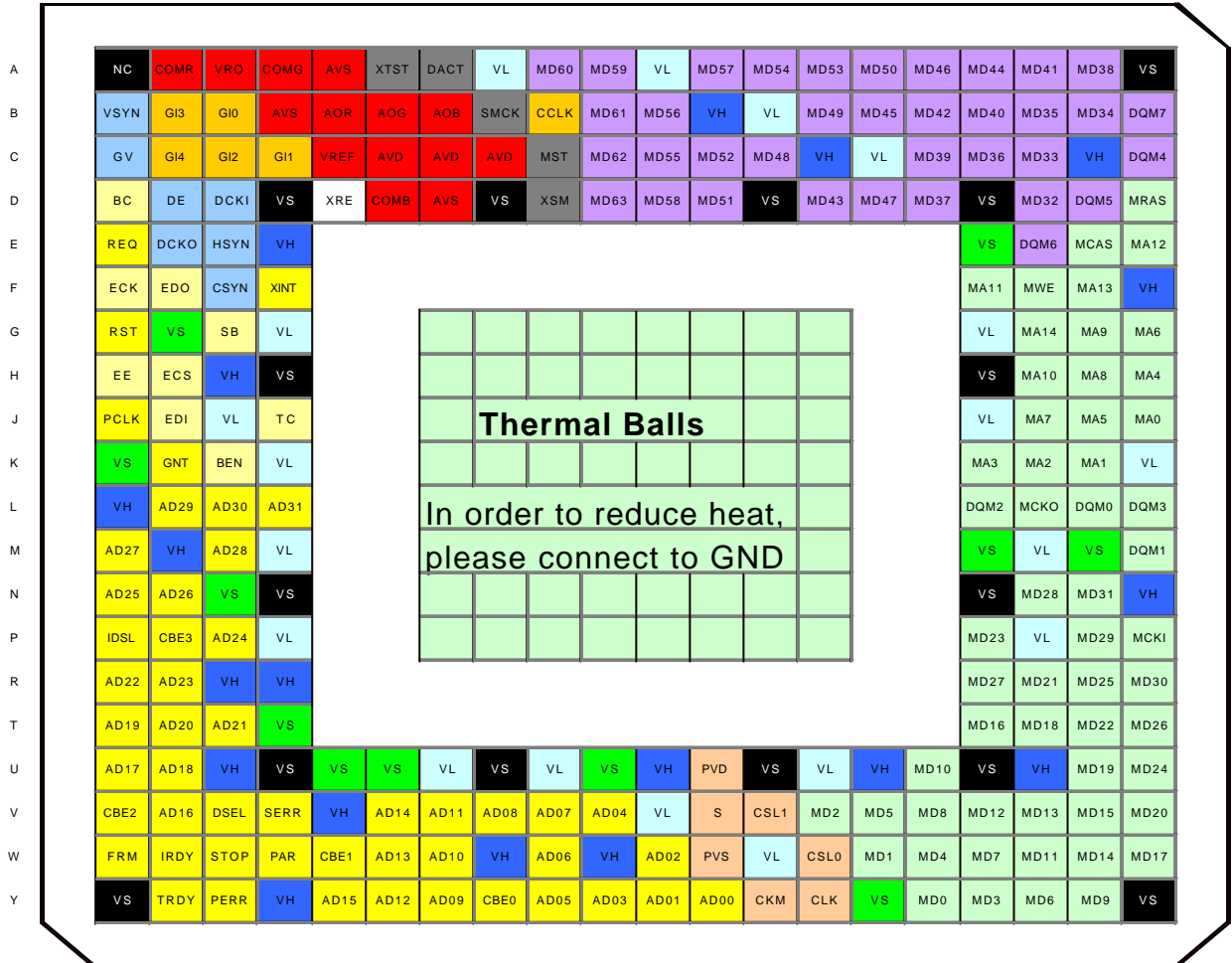
2.2.1 Pin assignment diagram

INDEX

TOP VIEW

BGA256

1 2 3 4 5 6 7 8 9 10 11 12 13 14 15 16 17 18 19 20



PCI Interface Pins
Other Host I/f Pins

Memory I/f Pins
Muxed Memory I/f Pins

DAC Pins
Disp Pins
Test Pins

Clock Pins
Capture Pins
Test Pins

2.2.2 Pin assignment table

JEDEC Number		Pin Name	I/O	Function
B	2	GI3	Input	RGB Input Green[3]. May also be configured as GPIO input.
C	2	GI4	Input	RGB Input Green[4]. May also be configured as GPIO input.
D	3	DCKI	Input	Video output interface dot clock input.
E	4	VH	-	VDDH - 3.3V power supply.
B	1	VSYN	I/O	Video output interface vertical sync output. Vertical sync input in external sync mode.
E	3	HSYN	I/O	Video output interface horizontal sync output. Horizontal sync input in external sync mode.
D	2	DE	Output	Video output interface display enable period.
C	1	GV	Output	Video output interface graphics/video switch.
F	3	CSYN	Output	Video output interface composite sync output.
E	2	DCKO	Output	Video output interface dot clock signal for display.
D	4	VS	-	VSS - ground.
G	4	VL	-	VDDL 1.8V power supply.
G	3	SB	I/O	Host interface Slave Busy signal. May also be configured as GPIO input/output. In addition this signal is used as RGB input Green[5] and serial interface strobe depending on configuration.
D	1	BC	I/O	Host interface Burst Complete signal. May also be configured as GPIO input/output. In addition this signal is used as RGB input Red[0] and serial interface strobe depending on configuration.
F	2	EDO	I/O	PCI configuration EEPROM data output. May also be configured as GPIO input/output. In addition this signal is used as RGB input Red[1] and serial interface data out depending on configuration.
E	1	REQ	Output	PCI request.
F	4	XINT	Output (open drain)	External interrupt. By default (and PCI standard) it is active low. However it may be configured as active high if desired.
H	3	VH	-	VDDH 3.3V power supply.
G	2	VS	-	VSS - ground.
F	1	ECK	I/O	PCI configuration EEPROM clock output. May also be configured as GPIO input/output. In addition this signal is used as RGB input Red[2] and serial interface clock out depending on configuration.
H	2	ECS	I/O	PCI configuration EEPROM select output. May also be configured as GPIO input/output. In addition this signal is used as RGB input Red[3] depending on configuration.
J	4	TC	I/O	Host interface transfer complete. May also be configured as GPIO input/output. Note that the state of this pin is latched at external reset to help provide initial I/O configuration. If it is in an active high state then the EEPROM enable register bit is set.
J	3	VL	-	VDDL 1.8V power supply.
G	1	XRST	Input	Device reset.

H	4	VS	-	VSS - ground.
J	2	EDI	I/O	PCI configuration EEPROM data input. May also be configured as GPIO input/output. In addition this signal is used as RGB input Red[4] and serial interface data in depending on configuration.
H	1	EE	I/O	PCI configuration EEPROM enable. May also be configured as GPIO input/output. In addition this signal is used as RGB input Red[5] depending on configuration.
K	3	BEN	I/O	Host interface burst enable used as an external trigger of the host interface burst controller. May also be configured as GPIO input/output. Note that the state of this pin is latched at external reset to help provide initial I/O configuration. If it is in an active high state then the RGB input enable register bit is set.
K	2	GNT	Output	PCI grant.
J	1	PCLK	Input	PCI clock (33MHz).
K	4	VL	-	VDDL 1.8V power supply.
K	1	VS	-	VSS - ground.
L	1	VH	-	VDDH 3.3V power supply.
M	1	AD27	I/O	PCI address/data bit 27.
L	2	AD29	I/O	PCI address/data bit 29.
L	3	AD30	I/O	PCI address/data bit 30.
L	4	AD31	I/O	PCI address/data bit 31.
N	1	AD25	I/O	PCI address/data bit 25.
M	2	VH	-	VDDH 3.3V power supply.
N	4	VS	-	VSS - ground.
P	1	IDSL	Input	PCI Initialisation Device Select (IDSEL).
M	3	AD28	I/O	PCI address/data bit 28.
M	4	VL	-	VDDL 1.8V power supply.
N	2	AD26	I/O	PCI address/data bit 26.
R	1	AD22	I/O	PCI address/data bit 22.
P	2	CBE3	I/O	PCI command/byte enable 3.
N	3	VS	-	VSS - ground.
R	4	VH	-	VDDH 3.3V power supply.
T	1	AD19	I/O	PCI address/data bit 19.
R	2	AD23	I/O	PCI address/data bit 23.
P	3	AD24	I/O	PCI address/data bit 24.
U	1	AD17	I/O	PCI address/data bit 17.
P	4	VL	-	VDDL 1.8V power supply.
Y	1	VS	-	VSS - ground.
T	2	AD20	I/O	PCI address/data bit 20.
R	3	VH	-	VDDH 3.3V power supply.
V	1	CBE2	I/O	PCI command/byte enable 2.
U	2	AD18	I/O	PCI address/data bit 18.
T	3	AD21	I/O	PCI address/data bit 21.
W	1	FRM	I/O	PCI Frame.
T	4	VS	-	VSS - ground.
V	2	AD16	I/O	PCI address/data bit 16.

U	3	VH	-	VDDH 3.3V power supply.
V	3	DSEL	I/O	PCI Device Select (DEVSEL).
W	2	IRDY	I/O	PCI Initiator Ready.
W	3	STOP	I/O	PCI Stop.
V	4	SERR	Output (open drain)	PCI System Error.
U	5	VS	-	VSS - ground.
Y	2	TRDY	I/O	PCI Target Ready.
V	5	VH	-	VDDH 3.3V power supply.
W	4	PAR	I/O	PCI Parity.
Y	3	PERR	I/O	PCI Parity Error.
V	6	AD14	I/O	PCI address/data bit 14.
W	5	CBE1	I/O	PCI command/byte enable 1.
U	4	VS	-	VSS - ground.
U	7	VL	-	VDDL 1.8V power supply.
V	7	AD11	I/O	PCI address/data bit 11.
Y	4	VH	-	VDDH 3.3V power supply.
W	6	AD13	I/O	PCI address/data bit 13.
Y	5	AD15	I/O	PCI address/data bit 15.
U	6	VS	-	VSS - ground.
V	8	AD08	I/O	PCI address/data bit 8.
W	7	AD10	I/O	PCI address/data bit 10.
Y	6	AD12	I/O	PCI address/data bit 12.
W	8	VH	-	VDDH 3.3V power supply.
U	9	VL	-	VDDL 1.8V power supply.
V	9	AD07	I/O	PCI address/data bit 7.
Y	7	AD09	I/O	PCI address/data bit 9.
U	8	VS	-	VSS - ground.
W	9	AD06	I/O	PCI address/data bit 6.
Y	8	CBE0	I/O	PCI command/byte enable 0.
V	10	AD04	I/O	PCI address/data bit 4.
W	10	VH	-	VDDH 3.3V power supply.
Y	9	AD05	I/O	PCI address/data bit 5.
U	10	VS	-	VSS - ground.
Y	10	AD03	I/O	PCI address/data bit 3.
Y	11	AD01	I/O	PCI address/data bit 1.
Y	12	AD00	I/O	PCI address/data bit 0.
W	11	AD02	I/O	PCI address/data bit 2.
V	11	VL	-	VDDL 1.8V power supply.
U	11	VH	-	VDDH 3.3V power supply.
Y	13	CKM	Input	Clock Mode. If low then the output from the internal PLL is used as the internal clock. If high then the PCI clock is used.
W	12	PVS	-	PLL Ground.
U	13	VS	-	VSS - ground.
Y	14	CLK	Input	Clock input.
V	12	S	Input	PLL reset.
U	12	PVD	-	PLL 1.8V power supply.
W	13	VL	-	VDDL 1.8V power supply.

Y	15	VS	-	VSS - ground.
W	14	CSL0	Input	Clock rate selection 0.
V	13	CSL1	Input	Clock rate selection 1.
U	15	VH	-	VDDH 3.3V power supply.
Y	16	MD0	I/O	Graphics memory data bit 0.
W	15	MD1	I/O	Graphics memory data bit 1.
V	14	MD2	I/O	Graphics memory data bit 2.
Y	17	MD3	I/O	Graphics memory data bit 3.
U	14	VL	-	VDDL 1.8V power supply.
Y	20	VS	-	VSS – ground.
W	16	MD4	I/O	Graphics memory data bit 4.
V	15	MD5	I/O	Graphics memory data bit 5.
Y	18	MD6	I/O	Graphics memory data bit 6.
W	17	MD7	I/O	Graphics memory data bit 7.
V	16	MD8	I/O	Graphics memory data bit 8.
Y	19	MD9	I/O	Graphics memory data bit 9.
U	16	MD10	I/O	Graphics memory data bit 10.
W	18	MD11	I/O	Graphics memory data bit 11.
V	17	MD12	I/O	Graphics memory data bit 12.
V	18	MD13	I/O	Graphics memory data bit 13.
W	19	MD14	I/O	Graphics memory data bit 14.
V	19	MD15	I/O	Graphics memory data bit 15.
U	18	VH	-	VDDH 3.3V power supply.
T	17	MD16	I/O	Graphics memory data bit 16.
W	20	MD17	I/O	Graphics memory data bit 17.
T	18	MD18	I/O	Graphics memory data bit 18.
U	19	MD19	I/O	Graphics memory data bit 19.
V	20	MD20	I/O	Graphics memory data bit 20.
R	18	MD21	I/O	Graphics memory data bit 21.
T	19	MD22	I/O	Graphics memory data bit 22.
U	17	VS	-	VSS - ground.
P	17	MD23	I/O	Graphics memory data bit 23.
P	18	VL	-	VDDL 1.8V power supply.
U	20	MD24	I/O	Graphics memory data bit 24.
R	19	MD25	I/O	Graphics memory data bit 25.
T	20	MD26	I/O	Graphics memory data bit 26.
R	17	MD27	I/O	Graphics memory data bit 27.
N	18	MD28	I/O	Graphics memory data bit 28.
P	19	MD29	I/O	Graphics memory data bit 29.
R	20	MD30	I/O	Graphics memory data bit 30.
N	19	MD31	I/O	Graphics memory data bit 31.
M	17	VS	-	VSS - ground.
M	18	VL	-	VDDL 1.8V power supply.
P	20	MCKI	Input	Graphics memory clock input.
N	17	VS	-	VSS - ground.
M	19	VS	-	VSS - ground.
N	20	VH	-	VDDH 3.3V power supply.
L	18	MCKO	Output	Graphics memory clock output.

L	19	DQM0	Output	Graphics memory data mask 0.
M	20	DQM1	Output	Graphics memory data mask 1.
L	17	DQM2	Output	Graphics memory data mask 2.
L	20	DQM3	Output	Graphics memory data mask 3.
K	20	VL	-	VDDL 1.8V power supply.
J	20	MA0	Output	Graphics memory address bit 0.
K	19	MA1	Output	Graphics memory address bit 1.
K	18	MA2	Output	Graphics memory address bit 2.
K	17	MA3	Output	Graphics memory address bit 3.
H	20	MA4	Output	Graphics memory address bit 4.
J	19	MA5	Output	Graphics memory address bit 5.
H	17	VS	-	VSS - ground.
G	20	MA6	Output	Graphics memory address bit 6.
J	18	MA7	Output	Graphics memory address bit 7.
J	17	VL	-	VDDL 1.8V power supply.
H	19	MA8	Output	Graphics memory address bit 8.
F	20	VH	-	VDDH 3.3V power supply.
G	19	MA9	Output	Graphics memory address bit 9.
H	18	MA10	Output	Graphics memory address bit 10.
F	17	MA11	Output	Graphics memory address bit 11.
E	20	MA12	Output	Graphics memory address bit 12.
F	19	MA13	Output	Graphics memory address bit 13.
G	18	MA14	Output	Graphics memory address bit 14.
D	20	MRAS	Output	Graphics memory row address strobe.
G	17	VL	-	VDDL 1.8V power supply.
A	20	VS	-	VSS - ground.
E	19	MCAS	Output	Graphics memory column address strobe.
F	18	MWE	Output	Graphics memory write enable.
C	20	DQM4	Output	Graphics memory data mask 4.
D	19	DQM5	Output	Graphics memory data mask 5.
E	18	DQM6	Output	Graphics memory data mask 6. May also be configured as Blue[0] for the RGB output.
B	20	DQM7	Output	Graphics memory data mask 7. May also be configured as Blue[1] for the RGB output.
E	17	VS	-	VSS - ground.
C	19	VH	-	VDDH 3.3V power supply.
D	18	MD32	I/O	Graphics memory data bit 32. May also be configured as Blue[2] for the RGB output.
C	18	MD33	I/O	Graphics memory data bit 32. May also be configured as Blue[3] for the RGB output.
B	19	MD34	I/O	Graphics memory data bit 32. May also be configured as Blue[4] for the RGB output.
B	18	MD35	I/O	Graphics memory data bit 32. May also be configured as Blue[5] for the RGB output.
C	17	MD36	I/O	Graphics memory data bit 32. May also be configured as Blue[6] for the RGB output.
D	16	MD37	I/O	Graphics memory data bit 32. May also be configured as Blue[7] for the RGB output.
A	19	MD38	I/O	Graphics memory data bit 32. May also be configured as Green[0] for the RGB output.

C	16	MD39	I/O	Graphics memory data bit 32. May also be configured as Green[1] for the RGB output.
B	17	MD40	I/O	Graphics memory data bit 32. May also be configured as Green[2] for the RGB output.
A	18	MD41	I/O	Graphics memory data bit 32. May also be configured as Green[3] for the RGB output.
C	15	VL	-	VDDL 1.8V power supply.
B	16	MD42	I/O	Graphics memory data bit 32. May also be configured as Green[4] for the RGB output.
D	17	VS	-	VSS - ground.
D	14	MD43	I/O	Graphics memory data bit 32. May also be configured as Green[5] for the RGB output.
C	14	VH	-	VDDH 3.3V power supply.
A	17	MD44	I/O	Graphics memory data bit 32. May also be configured as Green[6] for the RGB output.
B	15	MD45	I/O	Graphics memory data bit 32. May also be configured as Green[7] for the RGB output.
A	16	MD46	I/O	Graphics memory data bit 32. May also be configured as Red[0] for the RGB output.R0
D	15	MD47	I/O	Graphics memory data bit 32. May also be configured as Red[1] for the RGB output.R1
C	13	MD48	I/O	Graphics memory data bit 32. May also be configured as Red[2] for the RGB output.R2
B	14	MD49	I/O	Graphics memory data bit 32. May also be configured as Red[3] for the RGB output.R3
A	15	MD50	I/O	Graphics memory data bit 32. May also be configured as Red[4] for the RGB output.R4
B	13	VL	-	VDDL 1.8V power supply.
D	12	MD51	I/O	Graphics memory data bit 51. May also be configured as Red[5] for the RGB output.R5
C	12	MD52	I/O	Graphics memory data bit 52. May also be configured as Red[6] for the RGB output.R6
A	14	MD53	I/O	Graphics memory data bit 53. May also be configured as Red[7] for the RGB output. R7
D	13	VS	-	VSS - ground.
B	12	VH	-	VDDH 3.3V power supply.
A	13	MD54	I/O	Graphics memory data bit 54. May also be configured as I ² C serial data (SDA).
C	11	MD55	I/O	Graphics memory data bit 55. May also be configured as I ² C serial clock (SCL).
B	11	MD56	I/O	Graphics memory data bit 56. May also be configured as ITU-RBT-656 video capture data input bit 0 (V10). When the RGB input is enabled this pin acts as Blue[0].
A	12	MD57	I/O	Graphics memory data bit 57. May also be configured as ITU-RBT-656 video capture data input bit 1 (V11). When the RGB input is enabled this pin acts as Blue[1].
D	11	MD58	I/O	Graphics memory data bit 58. May also be configured as ITU-RBT-656 video capture data input bit 2 (V12). When the RGB input is enabled this pin acts as Blue[2].

A	11	VL	-	VDDL 1.8V power supply.
A	10	MD59	I/O	Graphics memory data bit 59. May also be configured as ITU-RBT-656 video capture data input bit 3 (VI3). When the RGB input is enabled this pin acts as Blue[3].
A	9	MD60	I/O	Graphics memory data bit 60. May also be configured as ITU-RBT-656 video capture data input bit 4 (VI4). When the RGB input is enabled this pin acts as Blue[4].
B	10	MD61	I/O	Graphics memory data bit 61. May also be configured as ITU-RBT-656 video capture data input bit 5 (VI5). When the RGB input is enabled this pin acts as Blue[5].
C	10	MD62	I/O	Graphics memory data bit 62. May also be configured as ITU-RBT-656 video capture data input bit 6 (VI6). When the RGB input is enabled this pin acts as HSYNC.
D	10	MD63	I/O	Graphics memory data bit 63. May also be configured as ITU-RBT-656 video capture data input bit 7 (VI7). When the RGB input is enabled this pin acts as VSYNC.
A	8	VL	-	VDDL 1.8V power supply.
B	9	CCLK	Input	ITU-RBT-656 video capture clock input.
D	8	VS	-	VSS - ground.
A	7	DACT	Input	Test signal.
C	9	MST	Input	Test signal.
D	9	XSM	Input	Test Signal.
B	8	SMCK	Input	Test Signal.
A	6	XTST	Input	Test Signal.
B	7	AOB	Output	Analog Signal (B) output
C	8	AVD2	-	Analog Power Supply(3.3V)
D	6	COMB	Output	Analog B Signal Compensation pin
A	5	AVS2	-	Analog Ground
B	6	AOG	Output	Analog Singnal (G) output
C	7	AVD1	-	Analog Power Supply(3.3V)
A	4	COMG	Output	Analog G Signal Compensation pin
D	7	AVS1	-	Analog Ground
A	1	NC	-	Not connected.
B	5	AOR	Output	Analog Singnal (R) output
C	6	AVD0	-	Analog Power Supply(3.3V)
A	3	VRO	Output	Analog Reference current output
B	4	AVS0	-	Analog Ground
C	5	VREF	Input	Analog Reference Voltage input
A	2	COMR	Output	Analog R Signal Compensation pin
D	5	XRE	Input	RGB output/video input/I ² C enable.
B	3	GI0	GI0	RGB Input Green[0]. May also be configured as GPIO input.
C	4	GI1	GI1	RGB Input Green[1]. May also be configured as GPIO input.
C	3	GI2	GI2	RGB Input Green[2]. May also be configured as GPIO input.

Notes

$V_{SS}/PLL V_{SS}$: Ground
V_{DDH}	: 3.3-V power supply
$V_{DDL}/PLL V_{DD}$: 1.8-V power supply
$PLL V_{DD}$: PLL power supply (1.8 V)
OPEN	: Do not connect anything.
TESTH	: Input a 3.3 V-power supply.
AVS	: Analog Ground
AVD	: Analog power supply (3.3 V)

- It is recommended that $PLL V_{DD}$ should be isolated on the PCB.
- It is recommended that AVD should be isolated on the PCB.
- Insert a bypass capacitor with good high frequency characteristics between the power supply and ground.

Place the capacitor as near as possible to the pin.

2.3 Pin Function

2.3.1 Host CPU interface

Table 2-1 Host CPU Interface Pins

Pin name	I/O	Description
AD0-31	In/Out	PCI Address/Data
CBE0-3	In/Out	PCI Bus Command/Byte Enable
PAR	In/Out	PCI Parity
FRM	In/Out	PCI Cycle Frame
TRDY	In/Out	PCI Target Ready
IRDY	In/Out	PCI Initiator Ready
STOP	In/Out	PCI Stop
DSEL	In/Out	PCI Device Select
IDSEL	Input	PCI Initialisation Device Select
PERR	In/Out	PCI Parity Error
SERR	Output (Open Drain)	System Error
REQ	Output	PCI Bus Master Request
GNT	Input	PCI Bus Grant
PCLK	Input	PCI Clock – 33MHz
XRST	Input	System Reset (including PCI)
XINT	Output (Open Drain)	Interrupt
BC	Output	Burst Complete. Indicates a burst is complete when using the DMA/Burst Controller. This pin may also be configured as a GPIO Input/Output and acts as RI0 (Red Input 0) when the RGB Input is enabled.
TC	Output	Transfer Complete. Indicates that a whole transfer is complete when using the DMA/Burst Controller. This may also be configured as a GPIO Input/Output. In addition this pin may be used to automatically enable the EEPROM at the reset phase. To do this a pull up should be applied.
BEN	Input	Enables the Burst Controller to start/continue execution. This pin may also be configured as a GPIO Input/Output. In addition this pin may be used to automatically enable the RGB Input pins as RGB inputs. To do this a pull up should be applied.
SB	Output	Slave Busy. Indicates that the PCI Slave is busy completing a write transfer. This pin may also be configured as a GPIO Input/Output, the Serial Interface Strobe Output and acts as GI5 (Green Input 5) when the RGB Input is enabled.

EE	Input	EEPROM Enable. Enables the PCI EEPROM Configuration. This pin may also be configured as a GPIO Input/Output and acts as RI5 (Red Input 5) when the RGB Input is enabled.
ECS	Output	EEPROM Chip Select . This pin may also be configured as a GPIO Input/Output and acts as RI3 (Red Input 3) when the RGB Input is enabled.
ECK	Output	EEPROM Clock. This pin may also be configured as a GPIO Input/Output, the Serial Interface Data Input and acts as RI2 (Red Input 2) when the RGB Input is enabled.
EDO	Output	EEPROM Data Out. This pin may also be configured as a GPIO Input/Output, the Serial Interface Data Output and acts as RI1 (Red Input 1) when the RGB Input is enabled.
EDI	Input	EEPROM Data In. This pin may also be configured as a GPIO Input/Output, the Serial Interface Data Input and acts as RI4 (Red Input 4) when the RGB Input is enabled.
GI0-4	Input	GPIO Inputs. These pins also act as GI0-4 (Green Inputs 0-4) when the RGB Input is enabled.

The EE, ECK, ECS, EDO, EDI, BC, TC, SB and BEN signals can all be configured as GPIO inputs/outputs and default to GPIO inputs at reset unless otherwise specified by the reset control pins (TC, BEN) which can be used to enable the EEPROM or the RGB input. The GI0-4 signals can be GPIO inputs only, which is their default state unless the RGB input is enabled in which case they are used as Green[0-4].

The Host Interface also has a serial interface function built in. This uses the EDI/EDO signals as data in/out, the ECK pin as a serial clock output and the SB pin as a strobe output. The serial interface may only be used when neither the EEPROM nor the RGB input is in use.

Once the device has been reset all configuration of the host interface related pins is done using the IO Mode register (IOM).

Note that to enable the RGB input the XRE signal must be active low and also the appropriate register in the capture engine must be configured.

2.3.2 Video output interface

Table 2-2 Video Output Interface Pins

Pin name	I/O	Description
DCKO	Output	Dot clock signal for display
DCKI	Input	Dot clock signal input
HSYN	I/O	Horizontal sync signal output Horizontal sync input <in external sync mode>
VSYN	I/O	Vertical sync signal output Vertical sync input <in external sync mode>
CSYN	Output	Composite sync signal output
DE	Output	Display enable period signal
GV	Output	Graphics/video switch
R7-0	Output	Digital picture (R) output. . These pins are multiplexed MD53-46. These pins are available when XRE=0.
G7-0	Output	Digital picture (G) output. . These pins are multiplexed MD45-38. These pins are available when XRE=0.
B7-0	Output	Digital picture (B) output. These pins are multiplexed MD37-32 and DQM7-6. These pins are available when XRE=0.
XRE	Input	Signal to switch between digital RGB output, capture signals /memory bus (MD 63-32, DQM7-6)
AOR	Analog Output	Analog Signal (R) output
AOG	Analog Output	Analog Signal (G) output
AOB	Analog Output	Analog Signal (B) output
COMR	Analog	Analog (R) Compensation output
COMG	Analog	Analog (G) Compensation output
COMB	Analog	Analog (B) Compensation output
VREF	Analog	Analog Voltage Reference input
VRO	Analog	Analog Reference Current output

It is possible to output digital RGB when XRE = 0 (Memory bus = 32bit).

Additional setting of external circuits can generate composite video signal.

Synchronous to external video signal display can be performed.

Either mode which is synchronous to DCLKI signal or one which is synchronous to dot clock, as for normal display can be selected.

Since HSYNC and VSYNC signals are set to input state after reset, these signals must be pulled up LSI externally.

The GV signal switches graphics and video at chroma key operation. When video is selected, the "Low" level is output.

AOR, AOG and AOB must be terminated at 75 ohm.

1.1 V is input to VREF. A bypass capacitor (with good high-frequency characteristics) must be inserted between VREF and AVS.

COMR, COMG and COMB are tied to analog VDD via 0.1 uF ceramic capacitors.

VRO must be pulled down to analog ground by a 2.7 k ohm resistor.

2.3.3 Video capture interface

1. ITU-656 Input Signals

Table 2-3 Video Capture Interface Pins

Pin name	I/O	Description
CCLK	Input	Digital video input clock signal input
V17-0	Input	ITU656 Digital video data input. These pins are multiplexed MD63-MD56.

Inputs ITU-RBT-656 format digital video signal

Digital video data input can be used only when the XRE pin is “0”. MD63-MD56 are assigned as the digital video data input pins.

When video capture is not used and the XRE pin is 0, input the “High” level to MD63-MD56.

2. RGB Input Signals

The signals used for video capture are not assigned on dedicated pins but share the same pins with other functions. There is a set of signals corresponding to the RGB capture modes.

(1) Direct Input Mode

Name	IO	Function
RGBCLK	In	Clock for RGB input. This pin is multiplexed CCLK.
RI5-0	In	Red component value. These pins are multiplexed EE, EDI, ECS, ECK, EDO and BC.
GI5-0	In	Green component value. These pins are multiplexed SB and GPI4-GPI0.
BI5-0	In	Blue component value. These pins are multiplexed MD61-MD56.
VSYNCI	In	Vertical sync for RGB capture. This pin is multiplexed MD63.
HSYNCI	In	Horizontal sync for RGB capture. This pin is multiplexed MD63.

Note :

- the RGB bit of VCM(video capture mode) register enables RGB input mode of video capture.

2.3.4 I²C interface

Pin name	I/O	Description
SDA	I/O	I ² C or Video capture test signal. This pin is multiplexed MD54.
SCL	I/O	I ² C or Video capture test signal. This pin is multiplexed MD55.

I²C interface signals can be used only when the XRE pin is "0". MD55-MD54 are assigned as the I²C interface pins.

When I²C interface is not used and the XRE pin is 0, input the "High" level to MD63-MD56.

Note)

Input voltage level is 3.3V. Please be careful, it does not support to 5V input.

(The device whose output voltage is 5V is not connectable.)

2.3.5 Graphics memory interface

Graphics memory interface pins

Pin name	I/O	Description
MD31 - MD0	I/O	Graphics memory bus data
MD53 - MD32	I/O	Graphics memory bus data or digital R7-0, G7-0, B7-2 output (when XRE = 0)
MD55 - MD54	I/O	Graphics memory bus data or SCL, SDA (when XRE=0)
MD63 - MD56	I/O	Graphics memory bus data or video input (when XRE=0)
MA0 to 14	Output	Graphics memory bus data
MRAS	Output	Row address strobe
MCAS	Output	Column address strobe
MWE	Output	Write enable
DQM5 - DQM0	Output	Data mask
DQM7 - DQM6	Output	Data mask or digital B1-0 output (when XRE = 0)
MCLK0	Output	Graphics memory clock output
MCLK1	Input	Graphics memory clock input

Connect the interface to the external memory used as memory for image data. The interface can be connected to 64-/128-/256-Mbit SD RAM (16- or 32-bit length data bus) without using any external circuit.

64 bits or 32 bits can be selected for the memory bus data. .

Connect MCLKI to MCLK0.

When XRE is fixed at "1", MD63 - MD32 and DQM7 - DQM6 can be used as graphics memory interface.

When XRE is fixed at "0", these signals can be used as digital RGB output and digital video data input.

2.3.6 Clock input

Table 2-4 Clock Input Pins

Pin name	I/O	Description
CLK	Input	Clock input signal
S	Input	PLL reset signal
CKM	Input	Clock mode signal
CSL [1:0]	Input	Clock rate select signal

Inputs source clock for internal operation clock and display dot clock. Normally, 4 Fsc (= 14.31818 MHz: NTSC) is input. An internal PLL generates the internal operation clock of 166 MHz/133 MHz and the display base clock of 400 MHz.

CKM	Clock mode
L	Output from internal PLL selected
H	PCI bus clock selected

- When CKM = L, selects input clock frequency when built-in PLL used according to setting of CSL pins

CSL1	CSL0	Input clock frequency	Multiplication rate	Display reference clock
L	L	Inputs 13.5-MHz clock frequency	×29	391.5 MHz
L	H	Inputs 14.32-MHz clock frequency	×28	400.96 MHz
H	L	Inputs 17.73-MHz clock frequency	×22	390.06 MHz
H	H	Reserved		

2.3.7 Test pins

Table 2-5 Test Pins

Pin name	I/O	Description
TESTH	Input	Input 3.3-V power.

2.3.8 Reset sequence

See *Section 10.3.2*.

2.3.9 How to switch internal operating frequency

- Switch the operating frequency immediately after a reset (before rewriting MMR mode register of external memory interface).
- Any operating frequency can be selected from the five combinations shown in *Table 2-6*.

Table 2-6 Frequency Setting Combinations

Clock for geometry engine	Clock for other than geometry engine
166 MHz	133 MHz
166 MHz	100 MHz
133 MHz	133 MHz
133 MHz	100 MHz
100 MHz	100 MHz

- The following relationship is disabled: Clock for geometry engine < Clock for other than geometry engine

3. HOST INTERFACE

The Coral LP has a 33MHz, 32-bit PCI host interface compliant to PCI version 2.1. It includes both PCI master and PCI slave functions and an internal DMA/burst controller for multi-burst transfers of large quantities of data between all combinations of PCI data space and Coral LP internal data space. PCI EEPROM configuration is also supported.

Additional functions provided by the host interface are optional host interface status/control signals which may aid in the reduction of PCI retries, the provision of general purpose IO (GPIO) signals for control of external devices via the PCI interface including support for a simple serial interface.

3.1 Standard PCI Slave Accesses

An external PCI master will access the Coral LP as a PCI slave.

3.1.1 PCI Slave Write

For a PCI slave write, data will be “posted” into a temporary buffer from where it is written to the target internal client. This temporary buffer is 8 dwords deep. PCI slave writes of any size are supported but typically a retry will occur after each 8 dword burst. Note that when writing to the display list FIFO a burst should be no more than 16 dwords (64 bytes) due to FIFO address space limitations.

When the write from the temporary buffer to the internal client is being performed the Slave Busy (SB) signal becomes active. While this is happening PCI accesses will be rejected. If the SB signal is used then PCI retries may be reduced.

3.1.2 PCI Slave Read

For a PCI slave read the read requested will be passed to an internal client from where data will be fetched into the temporary buffer (8 dwords deep). Typically a retry will occur to actually fetch the data. In order to fetch the correct number of words from the read address the burst size must be specified. This is done by writing to the Slave Burst Read Size (SRBS) register. Bursts of between 1 and 8 dwords are supported. If the PCI master retries and reads less than the specified burst size then the remaining dwords will be discarded. This means that the Slave Burst Read Size can be permanently configured as 8 dwords. However there will be an increased latency on the pre-fetch stage if this is done.

3.2 Burst Controller Accesses (including PCI Master)

The Coral LP host interface includes a burst controller which can be used for transferring large quantities of contiguous data between all combinations (source/destination) of PCI data space and Coral LP internal data space. Control/status monitoring is done through internal registers with the optional aid of external signals – Burst Complete (BC), Transfer Complete (TC) and Burst Enable (BEN).

A transfer can be any number of dwords from 1 to $16777215 (2^{24}-1)$ dwords, split up into a number of individual bursts of size from 1 to 8 dwords. If the transfer size is not an integer multiple of the burst size then the final burst of the transfer will be less than the configured burst size. A transfer is from a source address to a destination address with the source/destination being in either PCI or Coral LP data space as appropriate to the transfer mode. After each burst of a transfer the source and/or the destination address may be incremented (or not) by the burst size enabling transfers both to/from

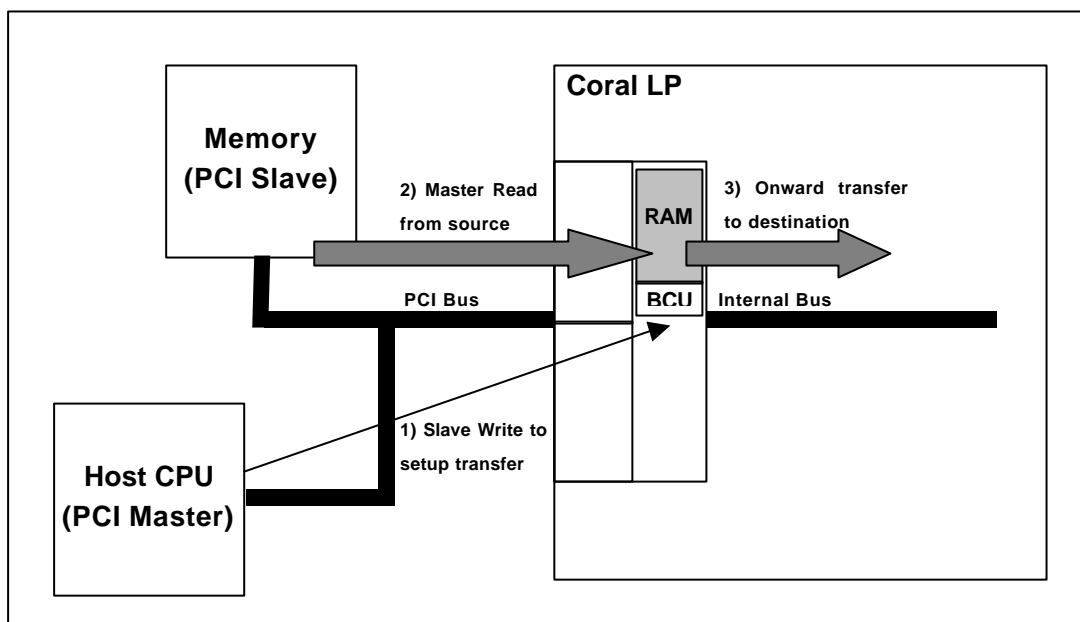
memory and also FIFO-like sources/destinations. Note that when writing to the display list FIFO, the destination address should be configured to **not** increment between bursts.

3.2.1 Transfer Modes

There are 6 transfer modes configurable through the Burst Setup Register (BSR). These are:

Mode	Function
000b	Slave Mode PCI to Coral LP. In this mode a PCI master writes bursts of data directly into a temporary buffer from where it is transferred to the destination address by the Burst Controller. While this can also be accomplished using simple PCI Slave writes there are benefits in using this mode when transferring large quantities of data. For a normal PCI write the Coral LP PCI slave interface is blocked until the write to the destination address has completed. Depending on the destination there may be some delay in doing this. Using the burst controller the data is transferred out of the PCI interface into the temporary buffer from where it is transferred to the destination. In this case the PCI slave interface is quickly cleared and so other operations can take place or the next burst can be written in.
001b	Slave Mode Coral LP to PCI. In this mode the burst controller reads data from a Coral LP internal address into its temporary buffer and then waits for the data to be read using a PCI slave read from this buffer's address. While this can also be accomplished using simple PCI Slave reads there are benefits in using this mode when transferring large quantities of data. A normal PCI read will typically be accomplished by a PCI read request followed by a retry to fetch the data. Using this mode the burst controller can be used to automatically fetch the next data to be read. Depending on internal latencies this should reduce the number of retries.
010b	Coral LP to Coral LP. In this mode data is read from a source address internal to Coral LP into a temporary buffer, from where it is written to a destination, also internal to Coral LP. An example of where this mode may be used is to transfer display list data from graphics memory to the display list FIFO.
011b	Reserved.
100b	PCI to Coral LP (PCI Master read). In this mode the source address is in PCI data space and the destination address internal to Coral LP. For each burst of the transfer "burst size" dwords of data are read as a PCI Master read into a temporary buffer, from where they are written to the internal destination address. An example of where this mode will be used is display list transfer to the FIFO/graphics memory.
101b	Coral LP to PCI (PCI Master write). In this mode the source address is internal to Coral LP and the destination address is in PCI data space. For each burst of the transfer "burst size" dwords of data are fetched from an internal address into a temporary buffer, from where they are written to the destination address using a PCI master write. An example of where this mode may be used is to transfer graphics memory data to external PCI memory.
110b	PCI to PCI (PCI Master read/write). This mode is effectively a PCI to PCI DMA. Data is read from a source address in PCI data space into a temporary buffer from where it is written to the destination address, also in PCI data space.
111b	Reserved.

The figure below illustrates a PCI to Coral (Master Read) transfer. The Host CPU will program up the BCU registers (using normal PCI Slave writes) and trigger the transfer. The Coral then reads data from the source memory as a PCI Master and writes to the destination inside the Coral.



All other BCU transfers use the BCU RAM in a similar way but with source/destination dependent on transfer type.

3.2.2 Burst Controller Control/Status

All setup/control and status for the burst controller can be done through registers. These provide ways of specifying the parameters for a burst (source/destination address, address increment (or not) and burst/transfer size. In addition, a transfer can be started/paused/aborted and also its progress monitored using the enable and status registers.

The key status indicators are Burst Complete and Transfer Complete, which become active at the end of each burst/transfer respectively. These may either be active high or toggle state at the end of each burst/transfer. When active high they will have to be cleared after each burst/transfer. This may be done using a clear on read mode (default) or by manually writing to the appropriate register.

The burst/transfer complete indications are also available through the main interrupt status register (IST) and can trigger the main external interrupt (XINT). If being used for this they must be configured as active high (ie. not toggle mode). In addition burst/transfer complete can be made available as external signals (BC/TC) for connection directly to an external device (eg. through some form of GPIO or interrupt).

Normally a transfer will be configured and enabled using internal registers. However it is possible to configure the transfer but not actually start it. An external signal (BEN) can then be used to trigger the transfer and pause it between bursts. This may be useful, for example, when doing PCI Master reads from a client which takes time to pre-fetch more data for the next burst.

3.3 FIFO Transfers

Unlike Coral LQ/Coral LB there are no specific transfer mechanisms to write data into the display list FIFO. A write to the FIFO interface occurs automatically when it is specified as a destination address either for a PCI Slave Write or in a Burst Controller transfer. If this is not desired, and the main internal bus should be used, then the Override FIFO Use register may be set. Under normal circumstances there should be no need to use this feature.

As previously stated when the FIFO address is specified as the destination in the Burst Controller the destination should not be incremented after each burst. This will not happen automatically and must be specifically configured. In addition when writing to the FIFO using a PCI Slave Write the FIFO address space is limited to 16 dwords (64 bytes). This means that a PCI Slave Write burst to the FIFO must not be more than 16 dwords, otherwise data will be written to invalid locations for retries after 2 bursts of 8 dwords.

In normal mode when writing to the FIFO, data is written to the Geometry Engine FIFO from where it is transferred either directly to the Draw Engine FIFO or to the Geometry Engine, depending on the command. If the Geometry Engine is not in use then a direct write to the Draw Engine FIFO can be accomplished by setting Cremson Mode (CM register).

When the burst controller is used to transfer data to the FIFO the rate of bursts is controlled using the current FIFO status. When the FIFO is nearly full the next burst will not occur until data is processed by the Geometry/Draw Engine. This guarantees that there will always be space for the next burst of data. If this feature is not required then it can be disabled using the FIFO Burst Mode (FBM) register.

3.4 GPIO/Serial Interface

The Host Interface supports optional register mapped General Purpose IO (GPIO) and Serial Interface functions.

3.4.1 GPIO

Depending on configuration there are up to 14 GPIO signals. 5 of these (GI0, GI1, GI2, GI3, GI4) are inputs only. The remainder (BEN,SB,TC,BC,EE,ECS,ECK,EDI, EDO) may be either input or output. All reset to GPIO inputs unless otherwise configured using the reset configuration mechanism to enable the EEPROM/RGB input.

Operation of the GPIO is simply through the reading of the GPIO Data (GD) register for GPIO Inputs and writing to this register (with write mask) for the GPIO Outputs. GPIO Inputs may be configured selectively to trigger an external interrupt (via the interrupt status register (IST)) when they change state (0->1 or 1->0 transition).

3.4.2 Serial Interface

A simple serial interface is available depending on configuration. This uses the EDI/EDO pins as serial data input/output, the ECK as the serial clock output and SB as the serial interface strobe. The serial data out signal may be tri-stated when not in use.

Up to 8 bits of data is shifted out/in based on the serial clock. This may be $1/16$, $1/32$, $1/64$ or $1/128$ of the main internal clock. The clock polarity may be specified to be high/low and it may be gated when the serial interface is inactive.

The strobe signal has configurable polarity and may be active only for the first cycle of a transfer or the complete transfer. It may also be disabled completely. Configured strobe settings may be overridden on a transfer by transfer basis if required.

An interrupt may be generated when a transfer is complete.

3.5 Interrupt

The Coral LP MB86295 issues interrupt requests to the host CPU. The following interrupt triggers may enabled/disabled using the Interrupt Mask Register (IMASK).

- Vertical synchronization detect
- Field synchronization detect
- External synchronization error detect
- Drawing command error
- Drawing command execution end
- Internal Bus/FIFO Timeout
- Serial Interface transfer complete
- GPIO input change
- Burst Complete
- Transfer Complete
- Host Interface Fatal (PCI error)
- Address Error (invalid address accessed)

In addition the I²C interface can trigger an interrupt, but this is non-maskable through the IMASK register.

By default the external interrupt is active low (PCI standard) and is open drain. If required it may be configured to be active high using the Interrupt Polarity (IP) register.

Once an interrupt is detected by the host it can read the interrupt status register (IST) to determine the source of the interrupt. The exception to this is the I²C interrupt. Once read the interrupt status register must be cleared by writing 0 to the appropriate bit/bits (selective clearing is possible). Note that the Burst Complete/Transfer Complete interrupts must be cleared by writing to the Burst Status (BST) register.

3.5.1 Internal Bus/FIFO timeout

When accessing an internal client through the internal bus or writing to the FIFO it is possible that an unacceptable delay (possibly a lockup situation) occurs. This should not normally happen, but as a safety feature a timeout is available to allow for graceful termination of the offending access. Separate timeout periods for the internal bus and FIFO can be programmed and enabled (using the BTV, FTV and TCS registers).

When an access is made to a client and no response is obtained within the specified timeout period then the access is terminated and an interrupt generated. The Timeout Control/Status (TCS) register may be read to determine the offending client. Depending on circumstance a soft or firm reset may then be issued (through the SRST or FRST register) to clear the problem.

3.5.2 Address Error Interrupt

Certain addresses are invalid depending on operation. For example the Burst Controller cannot access the Host Interface internal registers. If an attempt is made to do this then the access will be terminated and an Address Error Interrupt triggered.

3.6 Memory Map

The local memory base address of Cora+LP is determined by Memory Base Address Register 0 (PCI Byte Address=0x10) in PCI Configuration Registers.

The following shows the local memory map of Coral LP to the host CPU memory space.

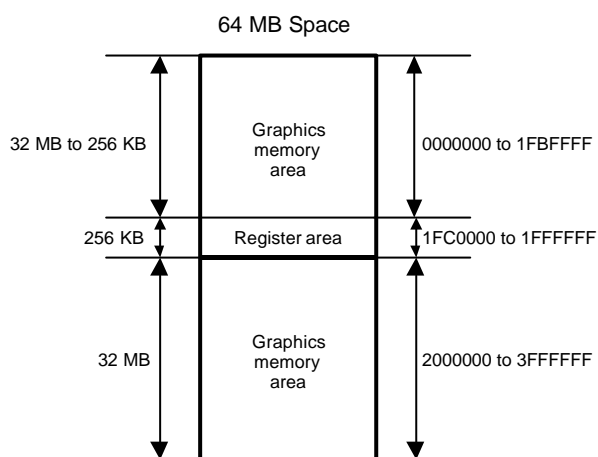


Fig. 3.1 Memory Map

Table 3-4 Address Space

Size	Resource	Base address	(Name)
32 MB to 256 KB	Graphics Memory	00000000	
64 KB	Host interface registers (I ² C interface registers)	01FC0000 (01FCC000)	(HostBase) (I ² CBase)
32 KB	Display registers	01FD0000	(DisplayBase)
32 KB	Video capture registers	01FD8000	(CaptureBase)
64 KB	Internal texture memory	01FE0000	(TextureBase)
32 KB	Drawing registers	01FF0000	(DrawBase)
32 KB	Geometry engine registers	01FF8000	(GeometryBase)
32 MB	Graphics memory	02000000	

If required the register area can be moved by writing 1 to bit 0 at HostBase + 005Ch (RSW: Register location Switch). In the initial state, the register space is at the center (1FC0000) of the 64 MB space. Coral LP may be accessed after about 20 bus clocks after writing 1 to RSW.

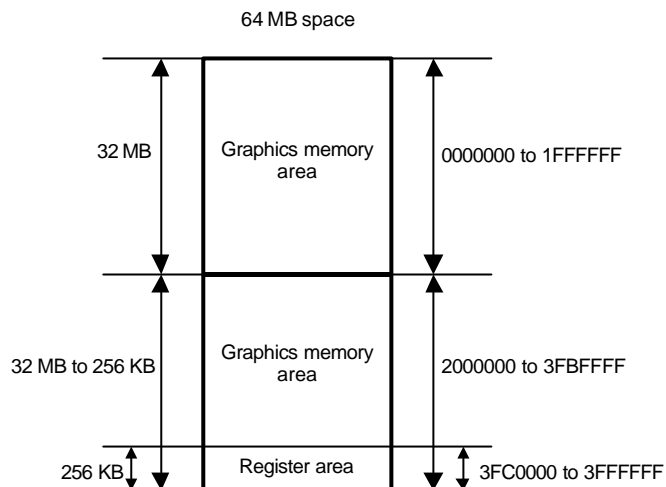


Fig. 3.2 Alternate Memory Map

Table 3-5 Alternate Address Mapping

Size	Resource	Base address	(Name)
64 MB to 256 KB	Graphics memory	00000000	
64 KB	Host interface registers (I ² C interface registers)	03FC0000 (03FCC000)	(HostBase) (I ² CBase)
32 KB	Display registers	03FD0000	(DisplayBase)
32 KB	Video capture registers	03FD8000	(CaptureBase)
64 KB	Internal texture memory	03FE0000	(TextureBase)
32 KB	Drawing registers	03FF0000	(DrawBase)
32 KB	Geometry engine registers	03FF8000	(GeometryBase)

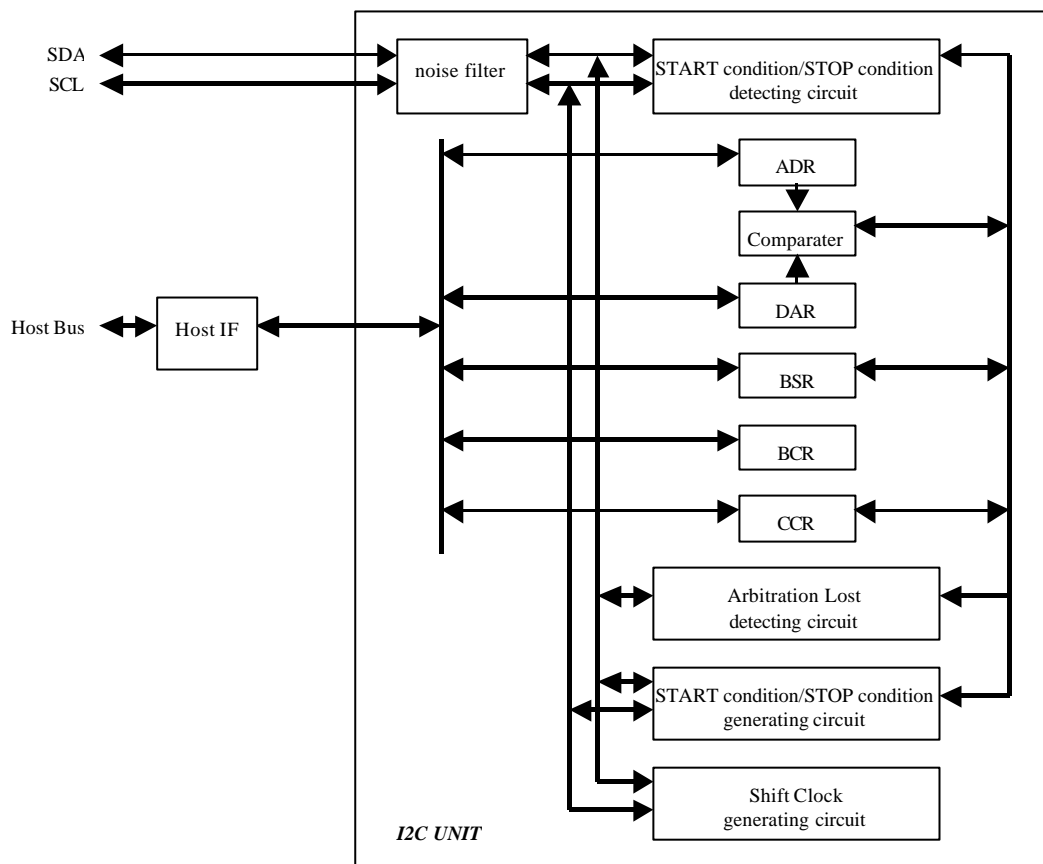
4. I²C Interface Controller

4.1 Features

- Master transmission and receipt
- Slave transmission and receipt
- Arbitration
- Clock synchronization
- Detection of slave address
- Detection of general call address
- Detection of transfer direction
- Repeated generation and detection of START condition
- Detection of bus error
- Correspondence to standard-mode (100kbit/s) / high-speed-mode (400kbit/s)

4.2 Block diagram

4.2.1 Block Diagram



4.2.2 Block Function Overview

START condition / STOP condition detecting circuit

This circuit performs detection of START condition and STOP condition from the state of SDA and SCL.

START condition / STOP condition generating circuit

This circuit performs generation of START condition and STOP condition by changing the state of SDA and SCL.

Arbitration Lost detecting circuit

This circuit compares the data output to SDA line with the data input into SDA line at the time of data transmission, and it checks whether these data is in agreement. When not in agreement, it generates arbitration lost.

Shift Clock generating circuit

This circuit performs generating timing count of the clock for serial data transfer, and output control of SCL clock by setup of a clock control register.

Comparater

Comparater compares whether the received address and the self-address appointed to be the address register is in agreement, and whether the received address is a global address.

ADR

ADR is the 7-bit register which appoints a slave address.

DAR

DAR is the 8-bit register used by serial data transfer.

BSR

BSR is the 8-bit register for the state of I2C bus etc. This register has following functions:

- detection of repeated START condition
- detection of arbitration lost
- storage of acknowledge bit
- data transfer direction
- detection of addressing
- detection of general call address
- detection of the 1st byte

BCR

BCR is the 8-bit register which performs control and interruption of I2C bus. This register has following functions:

- request / permission of interruption
- generation of START condition
- selection of master / slave
- permission to generate acknowledge

CCR

CCR is the 7-bit register used by serial data transfer. This register has following functions:

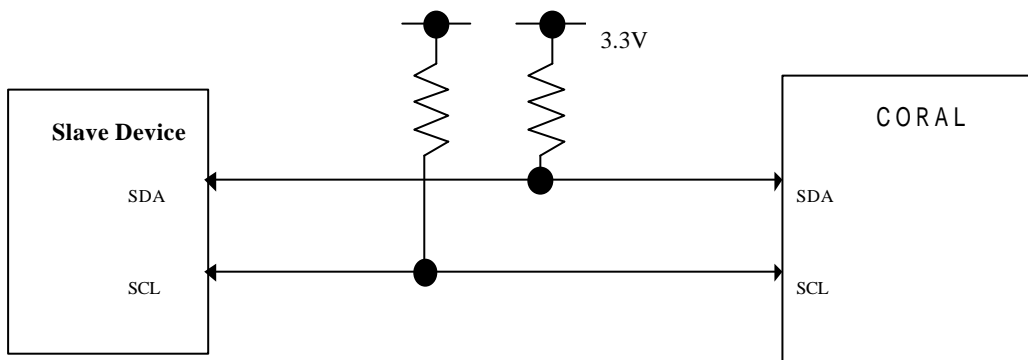
- permission of operation
- setup of a serial clock frequency
- selection of standard-mode / high-speed-mode

Noise filter

This noise filter consists of a 3 step shift register. When all three value that carried out the continuation sampling of the SCL/SDA input signals is "1", the filter output is "1". Conversely when all three value is "0", the filter output is "0". To other samplings it holds the state before 1 clock.

4.3 Example application

4.3.1 Connection Diagram



4.4 Function overview

Two bi-directional buses, serial data line (SDA) and serial clock line (SCL), carry information at I2C-bus. Scarlet I2C interface has SDA input (SDAI) and SDA output (SDAO) for SDA and is connected to SDA line via open-drain I/O cell. And this interface also has SCL input (SCLI) and SCL output (SCLO) for SCL line and is connected to SCL line via open-drain I/O cell. The wired theory is used when the interface is connected to SDA line and SCL line.

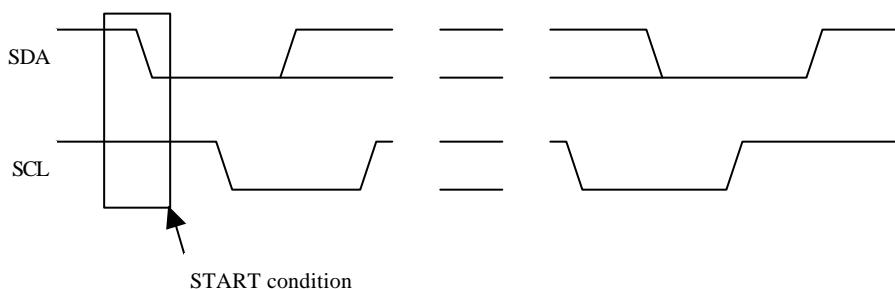
4.4.1 START condition

If "1" is written to MSS bit while the bus is free, this module will become a master mode and will generate START condition simultaneously. In a master mode, even if a bus is in a use state (BB=1), START condition can be generated again by writing "1" to SCC bit.

There are two conditions to generate START condition.

- "1" writing to MSS bit in the state where the bus is not used (MSS=0 & BB=0 & INT=0 & AL=0)
- "1" writing to SCC bit in the interruption state in a master mode (MSS=1 & BB=1 & INT=1 & AL=0)

If "1" writing is performed to MSS bit in an idol state, AL bit will be set to "1". "1" writing to MSS bit other than the above is disregarded.

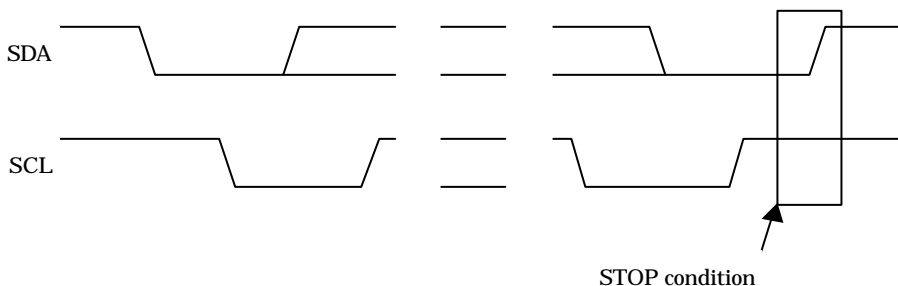


4.4.2 STOP condition

If "0" is written to MSS bit in a master mode (MSS=1), this module will generate STOP condition and will become a slave mode.

There is a condition to generate STOP condition.

- "0" writing to MSS bit in the interruption state in a master mode (MSS=1 & BB=1 & INT=1 & AL=0)
- "0" writing to MSS bit other than the above is disregarded.

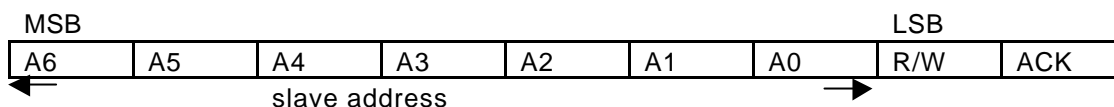


4.4.3 Addressing

In a master mode, it is set to BB="1" and TRX="0" after generation of START condition, and the contents of DAR register are output from MSB. When this module receives acknowledge after transmission of address data, the bit-0 of transmitting data (bit-0 of DRA register after transmission) is reversed and it is stored in TRX bit.

- Transfer format of slave address

A transfer format of slave address is shown below:



- Map of slave address

A map of slave address is shown below:

slave address	R/W	Description
0 0 0 0 0 0 0	0	General call address
0 0 0 0 0 0 0	1	START byte
0 0 0 0 0 0 1	X	CBUS address
0 0 0 0 0 1 0	X	Reserved
0 0 0 0 0 1 1	X	Reserved
0 0 0 0 1XX	X	Reserved
0 0 0 1 XXX 1 1 1 0 XXX	X	Available slave address
1 1 1 1 0 XX	X	10-bit slave addressing*1
1 1 1 1 1 XX	X	Reserved

*1 This module does not support 10-bit slave address.

4.4.4 Synchronization of SCL

When two or more I2C devices turn into a master device almost simultaneously and drive SCL line, each devices senses the state of SCL line and adjusts the drive timing of SCL line automatically in accordance with the timing of the latest device.

4.4.5 Arbitration

When other masters have transmitted data simultaneously at the time of master transmission, arbitration takes place. When its own transmitting data is "1" and the data on SDA line is "0", the master considers that the arbitration was lost and sets "1" to AL. And if the master is going to generate START condition while the bus is in use by other master, it will consider that arbitration was lost and will set "1" to AL.

When the START condition which other masters generated is detected by the time the master actually generated START condition, even when it checked the bus is in nonuse state and wrote in MSS="1", it considers that the arbitration was lost and sets "1" to AL.

When AL bit is set to "1", a master will set MSS="0" and TRX="0" and it will be a slave receiving mode. When the arbitration is lost (it has no royalty of a bus), a master stops a drive of SDA. However, a drive of SCL is not stopped until 1 byte transfer is completed and interruption is cleared.

4.4.6 Acknowledge

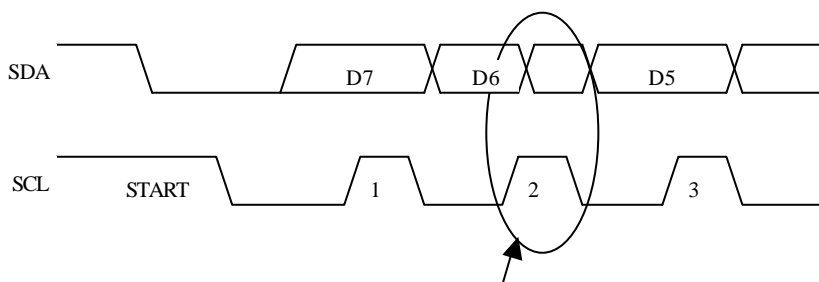
Acknowledge is transmitted from a reception side to a transmission side. At the time of data reception, acknowledge is stored in LRB bit by ACK bit.

When the acknowledge from a master reception side is not received at the time of slave transmission, it sets TRX="0" and becomes slave receiving mode. Thereby, a master can generate STOP condition when a slave opens SCL.

4.4.7 Bus error

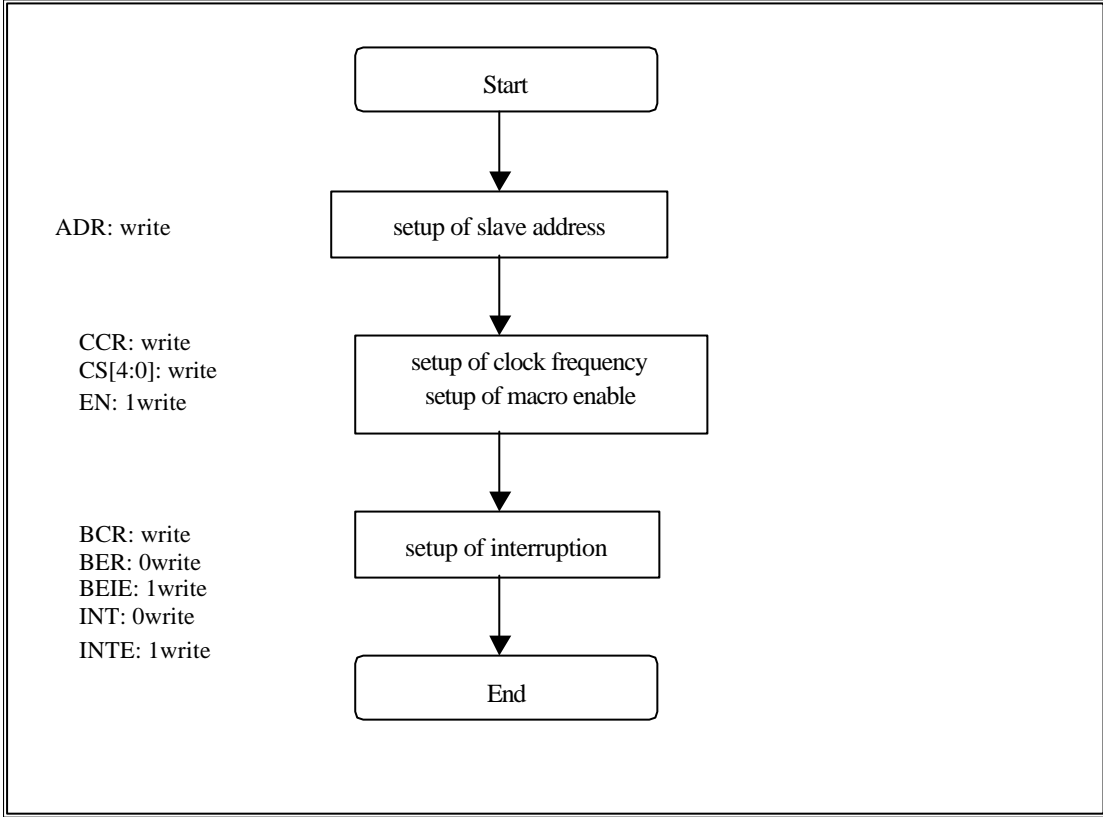
When the following conditions are satisfied, it is judged as a bus error, and this interface will be in a stop state.

- Detection of the basic regulation violation on I2C-bus under data transfer (including ACK bit)
- Detection of STOP condition in a master mode
- Detection of the basic regulation violation on I2C-bus at the time of bus idol

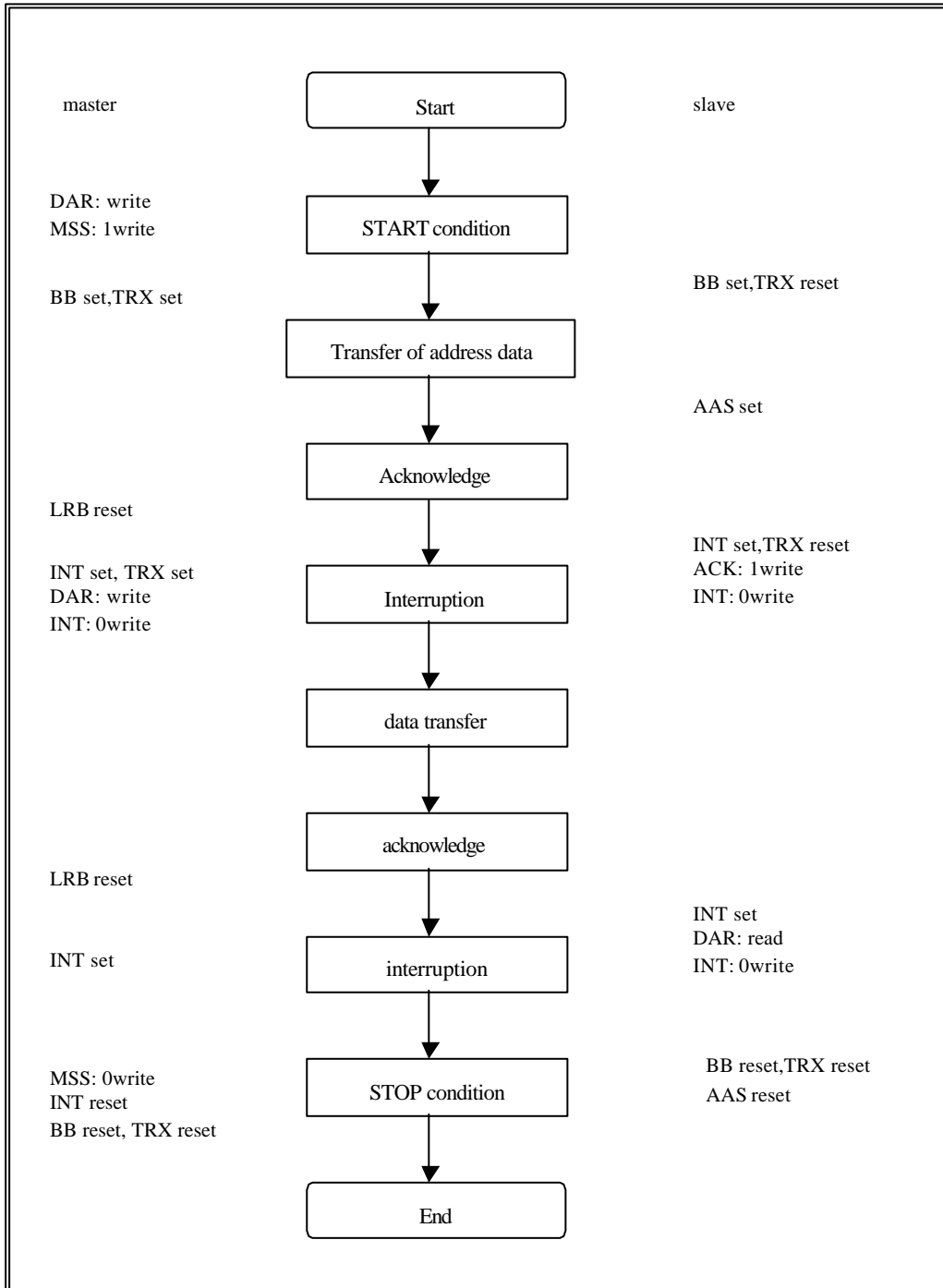


SDA changed under data transmission (SCL=H). It becomes bus error.

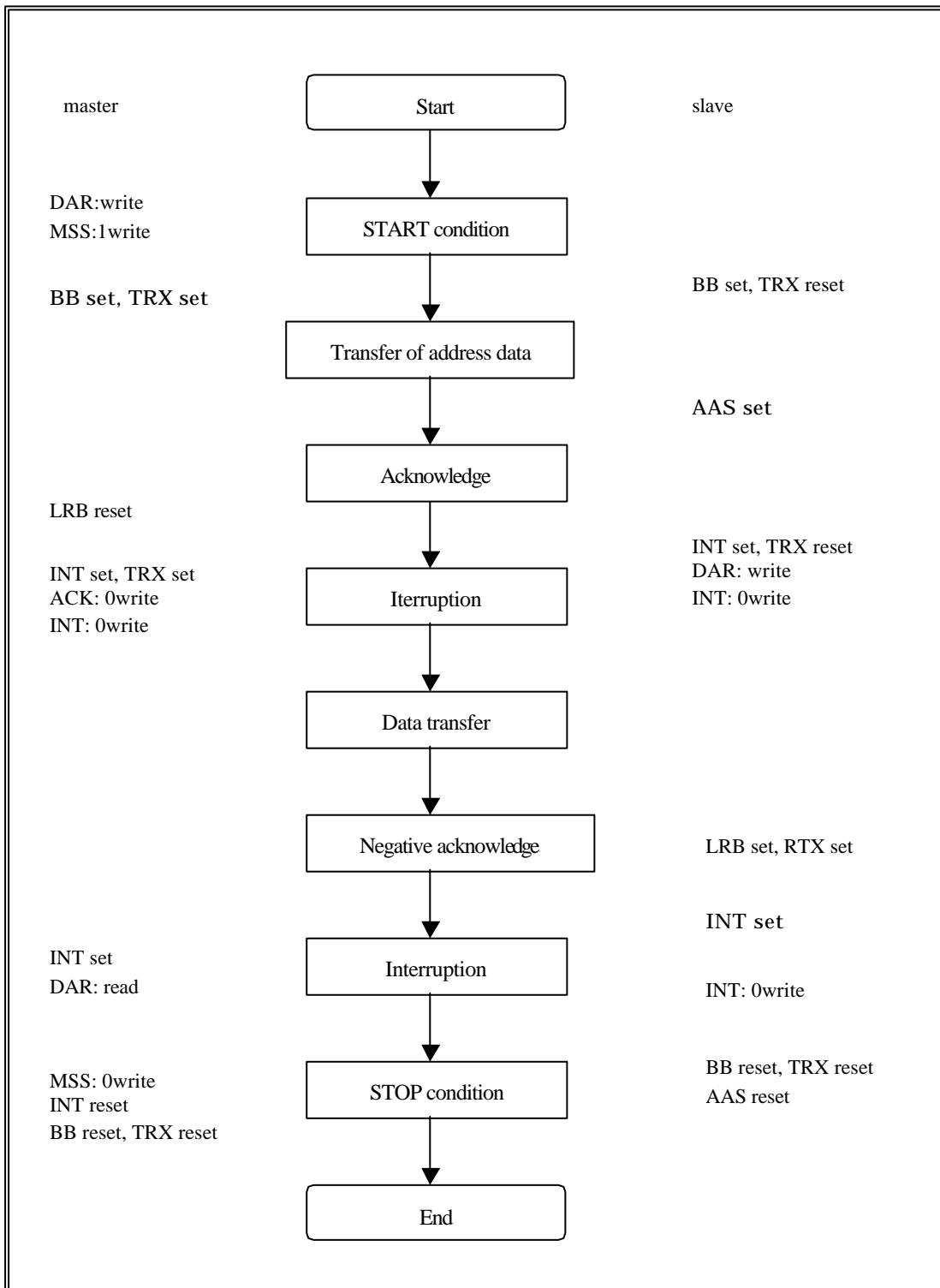
4.4.8 Initialize



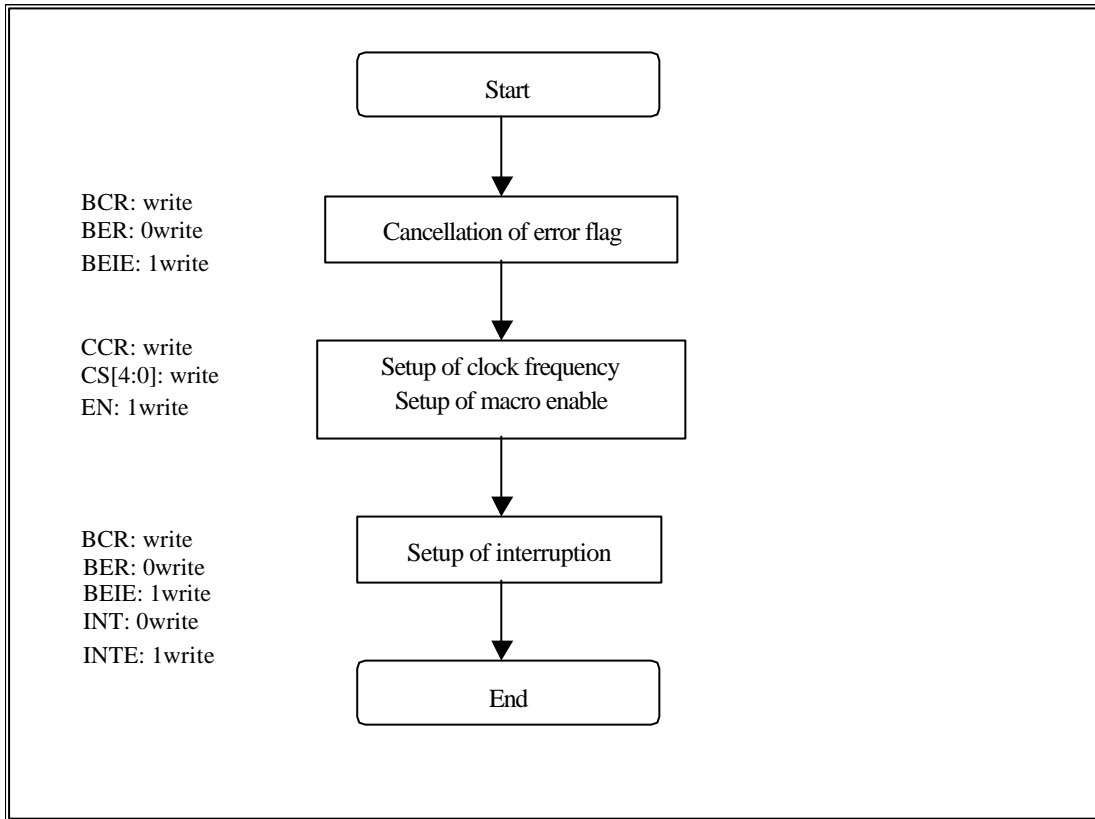
4.4.9 1-byte transfer from master to slave



4.4.10 1-byte transfer from slave to master



4.4.11 Recovery from bus error



4.5 Note

A) About a 10-bit slave address

This module does not support the 10-bit slave address. Therefore, please do not specify the slave address of from 78H to 7bH to this module. If it is specified by mistake, a normal transfer cannot be performed although acknowledge bit is returned at the time of 1 byte reception.

B) About competition of SCC, MSS, and INT bit

Competition of the following byte transfer, generation of START condition, and generation of STOP condition happens by the simultaneous writing of SCC, MSS, and INT bit. At this time the priority is as follows.

- 1) The following byte transfer and generation of STOP condition
If "0" is written to INT bit and "0" is written to MSS bit, priority will be given to "0" writing to MSS bit and STOP condition will be generated.
- 2) The following byte transfer and generation of START condition
If "0" is written to INT bit and "1" is written to SCC bit, priority will be given to "1" writing to SCC bit and START condition will be generated.
- 3) Generation of START condition and generation of STOP condition
The simultaneous writing of "1" in SCC bit and "0" to MSS bit is prohibition.

C) About setup of S serial transfer clock

When the delay of the positive edge of SCL terminal is large or when the clock is extended by the slave device, it may become smaller than setting value (calculation value) because of generation of overhead.

5. DISPLAY CONTROLLER

5.1 Overview

Display control

Window display can be performed for six layers. Window scrolling, etc., can also be performed.

Backward compatibility

Backward compatibility with previous products is supported in the four-layer display mode or in the left/right split display mode.

Video timing generator

The video display timing is generated according to the display resolution (from 320×240 to 1024×768).

Color look-up

There are two sets of color look-up tables by palette RAM for the indirect color mode (8 bits/pixel).

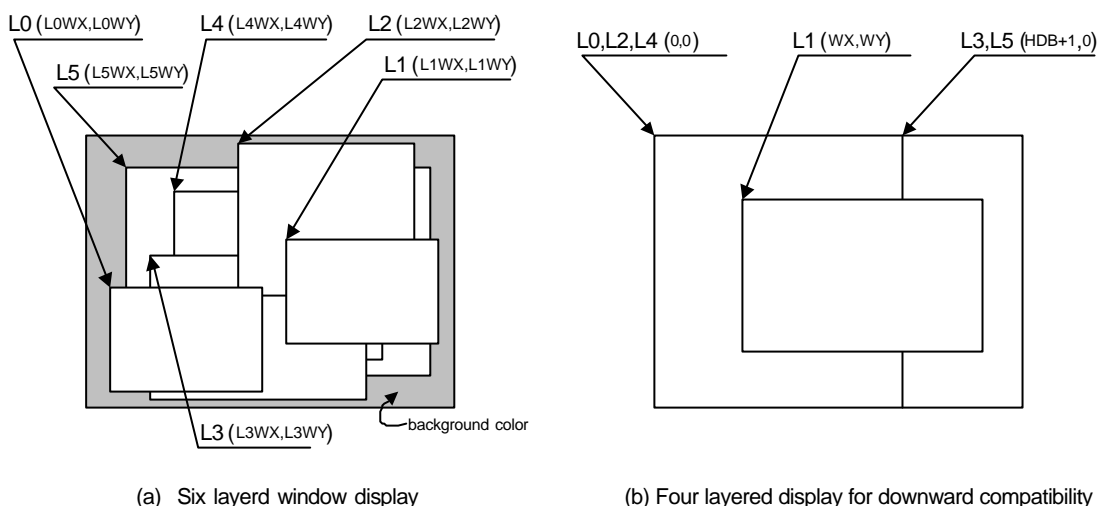
Cursor

Two sets of hardware cursor patterns (8 bits/pixel, 64×64 pixels each) can be used.

5.2 Display Function

5.2.1 Layer configuration

Six-layer window display is performed. Layer overlay sequence can be set in any order. A four-layer display mode and left/right split display mode are also provided, supporting backward compatibility with previous products.



(a) Six layered window display

(b) Four layered display for downward compatibility

Configuration of Display Layers

The correspondence between the display layers for this product and for previous products is shown below.

Layer correspondence		Coordinates of starting point		Width/height	
		Window mode	Compatibility mode	Window mode	Compatibility mode
L0	C	(L0WX, L0WY)	(0, 0)	(L0WW, L0WH + 1)	(HDP + 1, VDP + 1)
L1	W	(L1WX, L1WY)	(WX, WY)	(L1WW, L1WH + 1)	(WW, WH + 1)
L2	ML	(L2WX, L2WY)	(0, 0)	(L2WW, L2WH + 1)	(HDB + 1, VDP + 1)
L3	MR	(L3WX, L3WY)	(HDB, 0)	(L3WW, L3WH + 1)	(HDP - HDB, VDP + 1)
L4	BL	(L4WX, L4WY)	(0, 0)	(L4WW, L4WH + 1)	(HDB + 1, VDP + 1)
L5	BR	(L5WX, L5WY)	(HDB, 0)	(L5WW, L5WH + 1)	(HDP - HDB, VDP + 1)

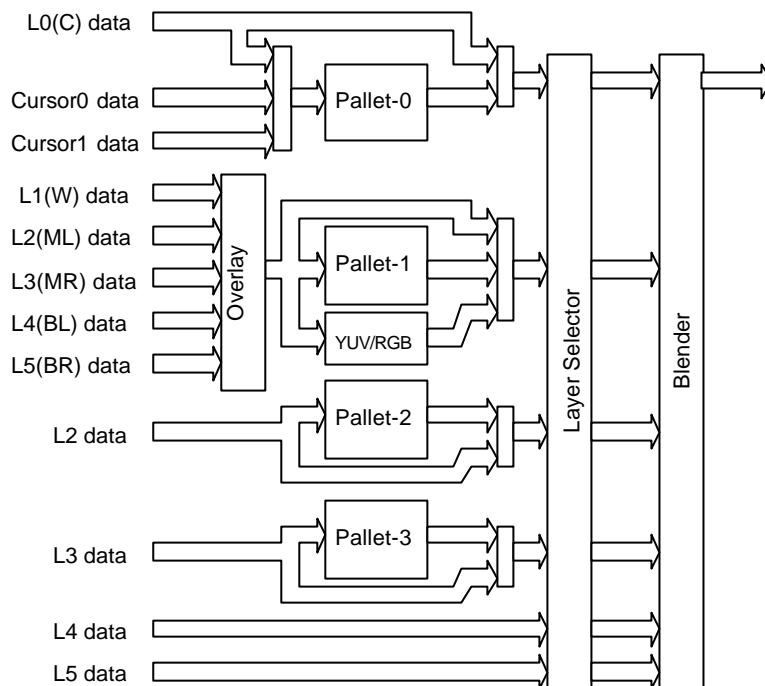
C, W, ML, MR, BL, and BR above mean layers for previous products. The window mode or the compatibility mode can be selected for each layer. It is possible to use new functions through minor program changes by allowing the coexistence of display modes instead of separating them completely.

However, if high resolutions are displayed, the count of layers that can be displayed simultaneously and pixel data may be restricted according to the graphics memory ability to supply data.

5.2.2 Overlay

(1) Overview

Image data for the six layers (L0 to L5) is processed as shown below.



The fundamental flow is: Palette → Layer selection → Blending. The palettes convert 8-bit color codes to the RGB format. The layer selector exchanges the layer overlay sequence arbitrarily. The blender performs blending using the blend coefficient defined for each layer or overlays in accordance with the transparent-color definition.

The L0 layer corresponds to the C layer for previous products and shares the palettes with the cursor. As a result, the L0 layer and cursor are overlaid before blend operation.

The L1 layer corresponds to the W layer for previous products. To implement backward compatibility with previous products, the L1 layer and lower layers are overlaid before blend operation.

The L2 to L5 layers have two paths; in one path, these layers are input to the blender separately and in the other, these layers and the L1 layer are overlaid and then are input to the blender. When performing processing using the extended mode, select the former; when performing the same processing as previous products, select the latter. It is possible to specify which one to select for each layer.

(2) Overlay mode

Image layer overlay is performed in two modes: simple priority mode, and blend mode.

In the simple priority mode, processing is performed according to the transparent color defined for each layer. When the color is a transparent color, the value of the lower layer is used as the image value for the next stage; when the color is not a transparent color, the value of the layer is used as the image value for the next stage.

$$\begin{aligned} D_{\text{view}} &= D_{\text{new}} \text{ (when } D_{\text{new}} \text{ does not match transparent color)} \\ &= D_{\text{lower}} \text{ (when } D_{\text{new}} \text{ matches transparent color)} \end{aligned}$$

When the L1 layer is in the YCbCr mode, transparent color checking is not performed for the L1 layer; processing is always performed assuming that transparent color is not used.

In the blend mode, the blend ratio “r” defined for each layer is specified using 8-bit tolerance, and the following operation is performed:

$$D_{\text{view}} = D_{\text{new}} * r + D_{\text{lower}} * (1 - r)$$

Blending is enabled for each layer by mode setting and a specific bit of the pixel is set to “1”. For 8 bits/pixel, the MSB of RAM data enables blending; for 16 bits/pixel, the MSB of data of the relevant layer enables blending; for 24 bits/pixel, the MSB of the word enables blending.

(3) Blend coefficient layer

In the normal blend mode, the blend coefficient is fixed for each layer. However, in the blend coefficient layer mode, the L5 layer can be used as the blend coefficient layer. In this mode, the blend coefficient can be specified for each pixel, providing gradation, for example. When using this mode, set the L5 layer to 8 bits/pixel.

5.2.3 Display parameters

The display area is defined according to the following parameters. Each parameter is set independently at the respective register.

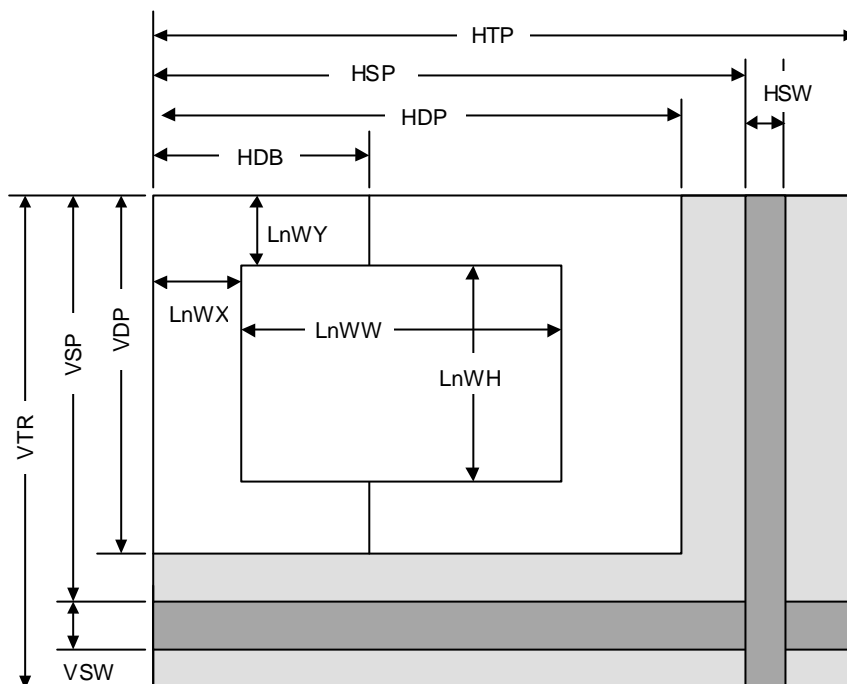


Fig. 5.1 Display Parameters

HTP	Horizontal Total Pixels
HSP	Horizontal Synchronize pulse Position
HSW	Horizontal Synchronize pulse Width
HDP	Horizontal Display Period
HDB	Horizontal Display Boundary
VTR	Vertical Total Raster
VSP	Vertical Synchronize pulse Position
VSW	Vertical Synchronize pulse Width
VDP	Vertical Display Period
LnWX	Layer n Window position X
LnWY	Layer n Window position Y
LnWW	Layer n Window Width
LnWH	Layer n Window Height

When not splitting the window, set HDP to HDB and display only the left side of the window. The settings must meet the following relationship:

$$0 < HDB \leq HDP < HSP < HSP + HSW + 1 < HTP$$

$$0 < VDP < VSP < VSP + VSW + 1 < VTR$$

5.2.4 Display position control

The graphic image data to be displayed is located in the logical 2D coordinates space (logical graphics space) in the Graphics Memory. There are six logical graphics spaces as follows:

- L0 layer
- L1 layer
- L2 layer
- L3 layer
- L4 layer
- L5 layer

The relation between the logical graphics space and display position is defined as follows:

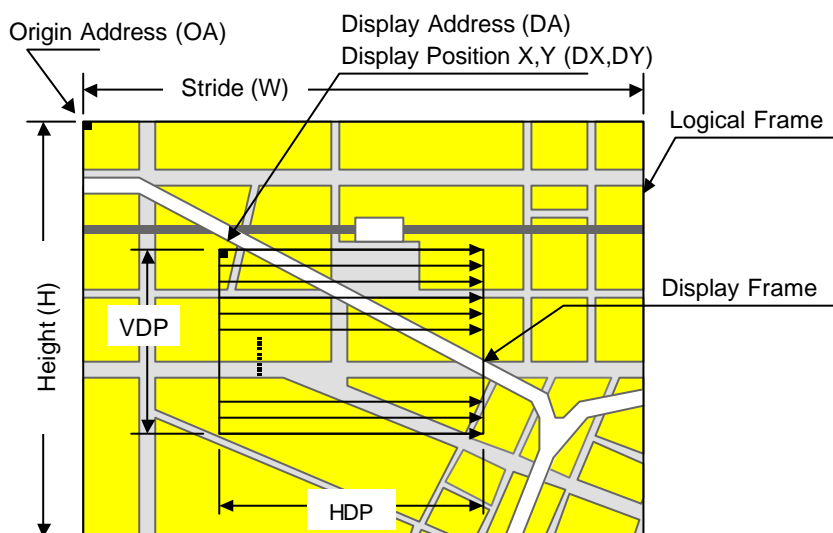


Fig. 5.2 Display Position Parameters

OA	Origin Address	Origin address of logical graphics space. Memory address of top left edge pixel in logical frame origin
W	Stride	Width of logical graphics space. Defined in 64-byte unit
H	Height	Height of logical graphics space. Total raster (pixel) count of field
DA	Display Address	Display origin address. Top left position address of display frame origin
DX DY	Display Position	Display origin coordinates. Coordinates in logical frame space of display frame origin

MB8629x scans the logical graphics space as if the entire space is rolled over in both the horizontal and vertical directions. Using this function, if the display frame crosses the border of the logical graphics space, the part outside the border is covered with the other side of the logical graphics space, which is assumed to be connected cyclically as shown below:

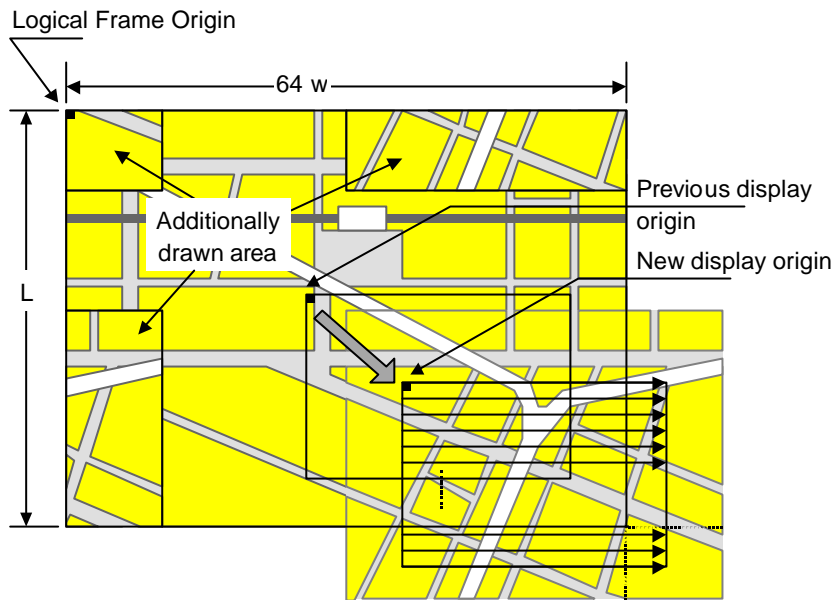


Fig. 5.3 Wrap Around of Display Frame

The expression of the X and Y coordinates in the frame and their corresponding linear addresses (in bytes) is shown below.

$$A(x,y) = x \times \text{bpp}/8 + 64wy \quad (\text{bpp} = 8 \text{ or } 16)$$

The origin of the displayed coordinates has to be within the frame. To be more specific, the parameters are subject to the following constraints:

$$0 \leq DX < w \times 64 \times 8/\text{bpp} \quad (\text{bpp} = 8 \text{ or } 16)$$

$$0 \leq DY < H$$

DX, DY, and DA have to indicate the same point within the frame. In short, the following relationship must be satisfied.

$$DA = OA + DX \times \text{bpp}/8 + 64w \times DY \quad (\text{bpp} = 8 \text{ or } 16)$$

5.3 Display Color

Color data is displayed in the following modes:

Indirect color (8 bits/pixel)

In this mode, the index of the palette RAM is displayed. Data is converted to image data consisting of 6 bits for R, G, and B via the palette RAM and is then displayed.

Direct color (16 bits/pixel)

Each level of R, G, and B is represented using 5 bits.

Direct color (24 bits/pixel)

Each level of R, G, and B is represented using 8 bits.

YCbCr color (16 bits/pixel)

In this mode, image data is displayed with YCbCr = 4:2:2. Data is converted to image data consisting of 8 bits for R, G, and B using the operation circuit and is then displayed.

The display colors for each layer are shown below.

Layer	Compatibility mode	Extended mode
L0	Direct color (16, 24), Indirect color (P0)	Direct color (16, 24), Indirect color (P0)
L1	Direct color (16, 24), Indirect color (P1), YCbCr	Direct color (16, 24), Indirect color (P1), YCbCr
L2	Direct color (16, 24), Indirect color (P1)	Direct color (16, 24), Indirect color (P2)
L3	Direct color (16, 24), Indirect color (P1)	Direct color (16, 24), Indirect color (P3)
L4	Direct color (16, 24), Indirect color (P1)	Direct color (16, 24)
L5	Direct color (16, 24), Indirect color (P1)	Direct color (16, 24)

“Pn” stands for the corresponding palette RAM. Four palettes are used as follows:

Palette 0 (P0)

This palette corresponds to the C-layer palette for previous products. This palette is used for the L0 layer. This palette can also be used for the cursor.

Palette 1 (P1)

This palette corresponds to the M/B layer palette for previous products. In the compatibility mode, this palette is common to layers L1 to 5. In the extended mode, this palette is dedicated to the L1 layer.

Palette 2 (P2)

This palette is dedicated to the L2 layer. This palette can be used only for the extended mode.

Palette 3 (P3)

This palette is dedicated to the L2 layer. This palette can be used only for the extended mode.

5.4 Cursor

5.4.1 Cursor display function

CORAL can display two hardware cursors. Each cursor is specified as 64×64 pixels, and the cursor pattern is set in the Graphics Memory. The indirect color mode (8 bits/pixel) is used and the L0 layer palette is used. However, transparent color control (handling of transparent color code and code 0) is independent of L0 layer. Blending with lower layer is not performed.

5.4.2 Cursor control

The display priority for hardware cursors is programmable. The cursor can be displayed either on upper or lower the L0 layer using this feature. A separate setting can be made for each hardware cursor. If part of a hardware cursor crosses the display frame border, the part outside the border is not shown.

Usually, cursor 0 is preferred to cursor 1. However, with cursor 1 displayed upper the L0 layer and cursor 0 displayed lower the L0 layer, the cursor 1 display is preferred to the cursor 0.

5.5 Display Scan Control

5.5.1 Applicable display

The following table shows typical display resolutions and their synchronous signal frequencies. The pixel clock frequency is determined by setting the division rate of the display reference clock. The display reference clock is either the internal PLL (400.9 MHz at input frequency of 14.318 MHz), or the clock supplied to the DCLKI input pin. The following table gives the clock division rate used when the internal PLL is the display reference clock:

Table 4-1 Resolution and Display Frequency

Resolution	Division rate of reference clock	Pixel frequency	Horizontal total pixel count	Horizontal frequency	Vertical total raster count	Vertical frequency
320 × 240	1/60	6.7 MHz	424	15.76 kHz	263	59.9 Hz
400 × 240	1/48	8.4 MHz	530	15.76 kHz	263	59.9 Hz
480 × 240	1/40	10.0 MHz	636	15.76 kHz	263	59.9 Hz
640 × 480	1/16	25.1 MHz	800	31.5 kHz	525	59.7 Hz
854 × 480	1/12	33.4 MHz	1062	31.3 kHz	525	59.9 Hz
800 × 600	1/10	40.1 MHz	1056	38.0 kHz	633	60.0 Hz
1024 × 768	1/6	66.8 MHz	1389	48.1 kHz	806	59.9 Hz

Pixel frequency = 14.318 MHz × 28 × reference clock division rate (when internal PLL selected)
 = DCLKI input frequency × reference clock division rate (when DCLKI selected)

Horizontal frequency = Pixel frequency/Horizontal total pixel count

Vertical frequency = Horizontal frequency/Vertical total raster count

5.5.2 Interlace display

CORAL can perform both a non-interlace display and an interlace display.

When the DCM register synchronization mode is set to interlace video (11), images in memory are output in odd and even rasters alternately to each field, and one frame (odd + even fields) forms one screen.

When the DCM register synchronization mode is set to interlace (10), images in memory are output in raster order. The same image data is output to odd fields and even fields. Consequently, the count of rasters on the screen is half of that of interlace video. However, unlike the non-interlace mode, there is a distinction between odd and even fields depending on the phase relationship between the horizontal and vertical synchronous signals.

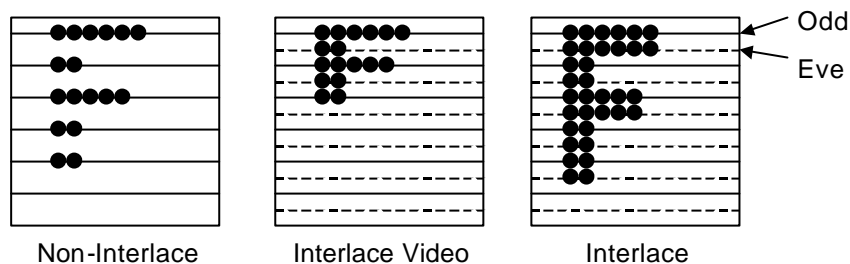


Fig. 5.4 Display Difference between Synchronization Modes

5.6 Video Interface, NTSC/PAL Output

To achieve NTSC/PAL signals, a NTSC/PAL encoder must be connected externally as shown below:

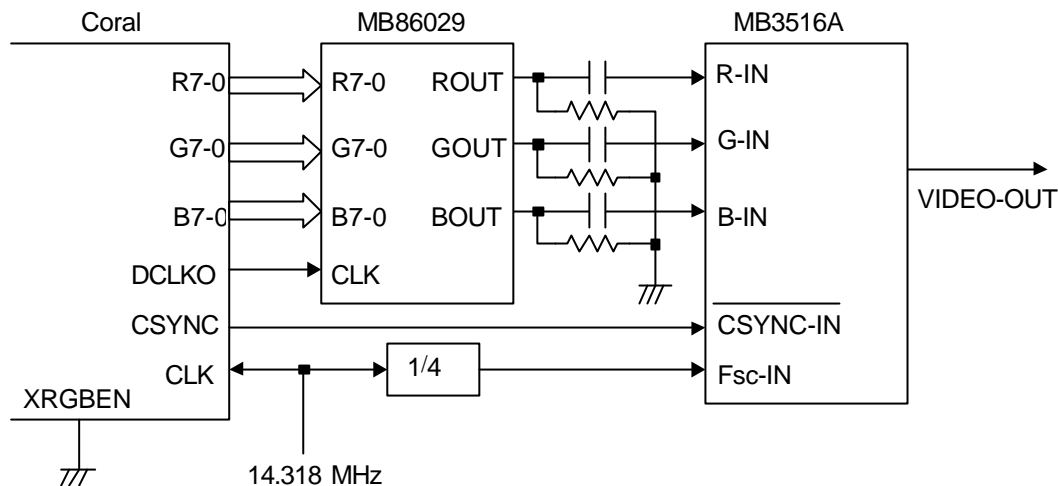


Fig. 5.6 Example of NTSC/PAL Encoder Connection

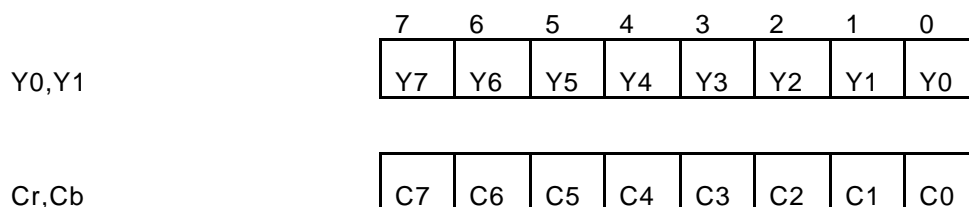
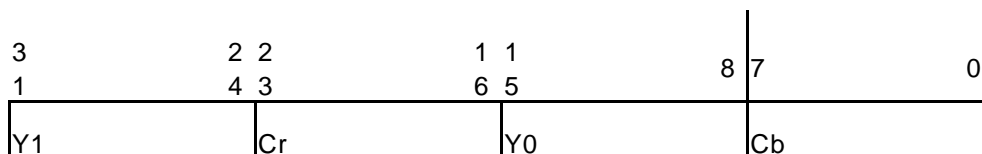
The digital NTSC/PAL encoder can also be used, but in general, the usable pixel frequency/resolution are limited. For details, refer to the specifications for each company's digital NTSC/PAL encoder.

6. Video Capture

6.1 Input Formats

The video capture unit of MB86295 'Coral-P' accepts YUV422 video data primarily, but RGB video data is also accepted via an internal RGB preprocessor which converts RGB to YUV422.

Captured pixels are stored in YCbCr format in graphics memory, 16 bits per pixel. The video data is converted to RGB when it is displayed.



6.2 ITU RBT-656 input

6.2.1 YUV input format

The ITU RBT-656 format is widely used for digital transmission of NTSC and PAL signals. The format corresponds to YUV422. Interlaced video display signals can be captured and displayed non-interlaced with linear interpolation.

When the VIE bit of the video capture mode register (VCM) is 1, Coral is able to capture video stream data from the 8-bit VI pin in synchronization with the CCLK clock. In this mode, only a digital video stream conforming to ITU-RBT656 can be processed. For this reason, a Y,Cb,Cr 4:2:2 format to which timing reference codes are added is used. The video stream is captured according to the timing reference codes; Coral automatically supports both NTSC and PAL. However, to detect error codes, set NTSC/PAL in the VS bit of VCM. If NTSC is not set, reference the number of data in the capture data count register (CDCN). If PAL is not set, reference the number of data in the capture data counter register (CDCP). If the reference data does not match the stream data, bit 4 to bit 0 of the video capture status register (VCS) will be values other than 0000.

6.2.2 Synchronous Control

Writing video data in memory and scanning for display are executed simultaneously. The memory of the video capture unit is controlled by a ring buffer controller. If the frame rate of video capture is

different from the display frame rate, frames are skipped or the same frame is continuously displayed automatically to match the two frame rates.

When the expected control code in input video stream is not detected, an error is generated. The error status is returned in a register. When control code is not detected, pictures are taken in continuously by predicting the timing by code input previously.

6.2.3 Non-interlace Transformation

Captured video graphics can be displayed in non-interlaced format. Two modes (BOB and WEAVE) can be selected at non-interlace transformation.

- BOB Mode

In odd fields, the even-field rasters generated by average interpolation are added to produce one frame. In even fields, the odd-field rasters generated by average interpolation are added to produce one frame.

- WEAVE Mode

Odd and even fields are merged in the video capture buffer to produce one frame. Vertical resolutions in the WEAVE mode are higher than those in the BOB mode but raster dislocation appears at moving places.

When the VI bit of the video capture mode register (VCM) is "0", data in the same field is used to interpolate the interlace screen vertically. The interlace screen is doubled in the vertical direction. When the VI bit is "1", the interlace screen is not interpolated vertically.

6.2.4 Area Allocation

Allocate an area of about 2.2 frames to the video capture buffer. The size of this area is equivalent to the size that considers the margin equivalent to the double buffer of the frame. Set the starting address and upper-limit address of the area in the CBOA/CBLA registers. Here, specify the raster start position as the upper-limit address.

To allocate n rasters as the video capture buffer, set the upper-limit value as follows:

$$CBLA = CBOA + 64n \times CBS$$

If CBLA does not match the head of a raster, video capture data is written beyond the upper limit by only 1 raster (max.). Note that if other meaningful data is held in the area, the user-intended operation is hindered by overwriting.

For reduced display, allocate the buffer area of the reduced frame size.

6.3 RGB input

6.3.1. RGB input modes

RGB video data is accepted via an internal RGB preprocessor which converts RGB to YUV422. There are two RGB modes : direct input mode and multiplex input mode. One pixel is transferred in ONE clock in direct input mode while one pixel is transferred in TWO clocks in multiplex input mode.

The **direct mode** is suitable for relatively high speed non-interlaced video signals but the de-interlacing operation is not available in this mode. The maximum input rate is 40Mpixel/sec. RGB component data is 6bit.

The **multiplex mode** is suitable for interlaced or relatively low speed video signal and de-interlacing operation is available. RGB component data is 8bit.

The mode will be controlled by the RGB bit of VCM(video capture mode) register.

6.3.2. RGB Input Signals

The signals used for RGB video capture are not assigned dedicated terminals but share same pins with other functions. There are two set of signals corresponding to two modes.

Direct Input Mode :

Name	IO	Function
RGBCLK	In	Clock for RGB input
RI5-0	In	Red component value
GI5-0	In	Green component value
BI5-0	In	Blue component value
VSYNCI	In	Vertical sync for RGB capture
HSYNCI	In	Horizontal sync for RGB capture

Multiplex Input Mode :

Name	IO	Function
RGBCLK	In	Clock for RGB input
RBI7-0	In	Red and blue component value
GI7-0	In	Green component value
COLSEL	In	Select Red and Blue
VSYNCI	In	Vertical sync for RGB capture
HSYNCI	In	Horizontal sync for RGB capture

Note :

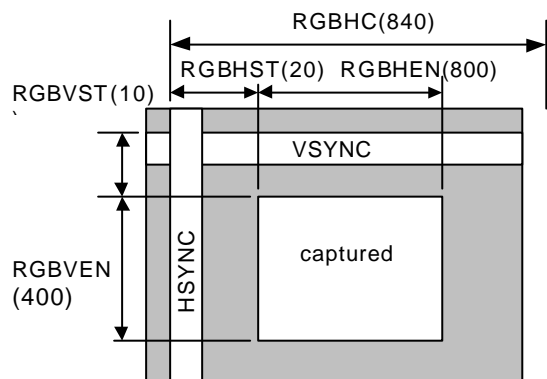
- input pins are shared with the ITU656 input and memory data bus.
- the MPX bit of the VCM(video capture mode) register selects which mode is used.

6.3.3. Captured Range

Instead of embedded sync code method used in ITU656 mode, the capture range in RGB mode is specified by the following register parameters :

- 1) RGB input mode of capture : Set RGB666 input flag in VCM.
- 2) HSYNC Cycle : Set the number of HSYNC Cycles in RGBHC.
- 3) Horizontal Enable area : Set enable area start position and enable picture size into RGBHST and RGBHEN.
- 4) Vertical Enable area : Set enable area start position and enable picture size into RGBVST and RGBVEN.

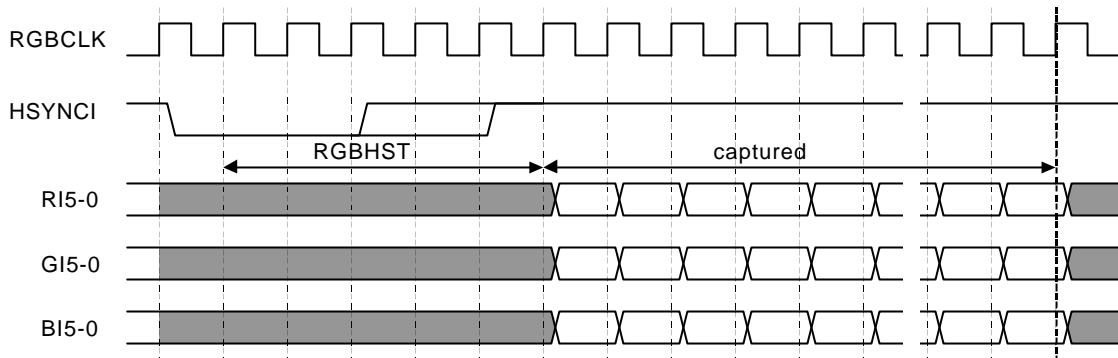
For example, if input picture size is 800x400, then parameters for each register are decided as follow :



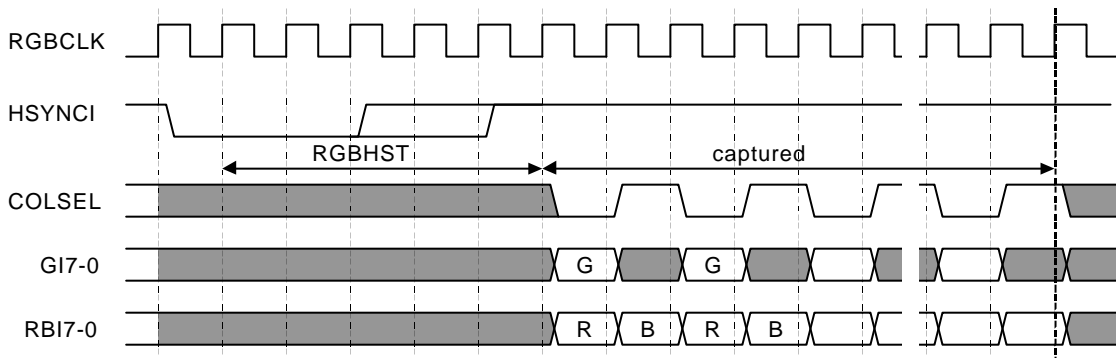
5) Convert Matrix Coefficient

In order to change the color conversion matrix, set up RGBCMY, RGBCb, RGBCr and RGBCMb.

6.3.4. Direct Input Mode Operation

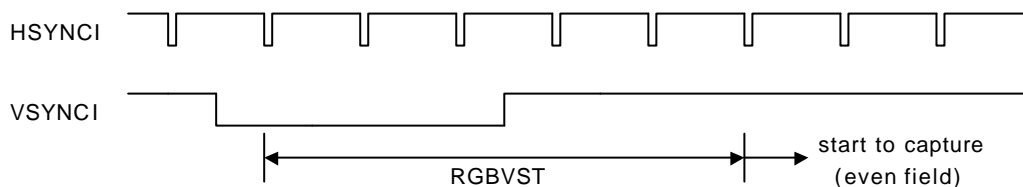
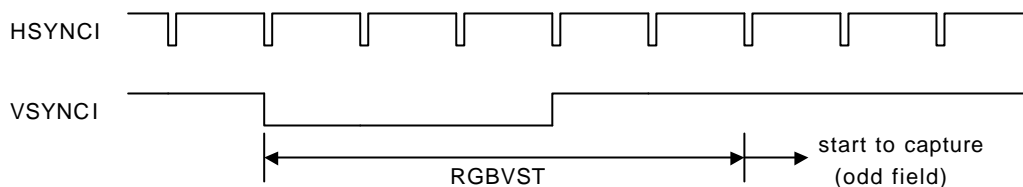


6.3.5 Multiplex Input Mode Operation



6.3.6. Even/Odd field Recognition

In multiplex input mode, interlaced RGB video data can be accepted and de-interlaced. A field is recognized as even or odd by the relative pulse position of H-sync and V-sync.



6.3.7. Conversion Operation

RGB input data is converted to YcrCb by the following matrix operation :

$$\begin{aligned}
 Y &= a_{11} * R + a_{12} * G + a_{13} * B + b_1 \\
 Cr &= a_{21} * R + a_{22} * G + a_{23} * B + b_2 & a_{ij} : & \text{10bit signed real (lower 8bit is fraction)} \\
 Cb &= a_{31} * R + a_{32} * G + a_{33} * B + b_3 & b_i : & \text{8bit unsigned integer}
 \end{aligned}$$

- Note :
- Each coefficient can be defined by registers.
 - Cb and Cr components are reduced to half after this operation to form in 4:2:2 format.

6.4 Scaling

6.4.1 Downscaling Function

When the CM bits of the video capture mode register (VCM) are 11, Coral reduces the video screen size. The reduction can be set independently in the vertical and horizontal scales. The reduction is set per line in the vertical direction and in 2-pixel units in the horizontal direction. The scale setting value is defined by an input/output value. It is a 16-bit fixed fraction where the integer is represented by 5 bits and the fraction is represented by 11 bits. Valid setting values are from 0800_H to FFFF_H. Set the vertical direction at bit 31 to bit 16 of the capture scale register (CSC) and the horizontal direction at bits 15 to bit 00. The initial value for this register is 08000800_H (once). An example of the expressions for setting a reduction in the vertical and horizontal directions is shown below.

Reduction in vertical direction	576 → 490 lines	$576/490 = 1.176$
	$1.176 \times 2048 = 2408$	→ 0968 _H
Reduction in horizontal direction	720 → 648 pixels	$720/648 = 1.111$
	$1.111 \times 2048 = 2275$	→ 08E3 _H

Therefore, 096808E3_H is set in CSC.

The capture horizontal pixel register (CHP) and capture vertical pixel register (CVP) are used to limit the number of pixels processed during scaling. They are not used to set scaling values. Clamp processing is performed on the video streaming data outside the values set in CHP and CVP. Usually, the defaults for these registers are used.

6.4.2 Upscaling Function

Coral is able to enlarge the size of a video capture picture by the factor of 2 in both the horizontal and vertical directions. This feature can be used to realize full-screen modes of video input streams which have a resolution less than actual display size. In order to use magnify (up-scaling) mode, the horizontal and vertical factor must be less than one. Do not specify different scaling ways (reduction/enlargement) for horizontal and vertical factors ! Also initialize the following registers as follows :

Set the magnify flag in the L1-layer mode register of the display controller.

Set the picture source size (before magnification) into CMSHP and CMSVL.

Set the final picture size (after magnification) into CMDHP and CMDVL.

An example of the expressions for setting an enlargement in the vertical and horizontal directions is shown below :

If the input picture size is 480x360 and the display picture size is 640x480, then the parameters for each register are as follows.

HSCALE=(480/640)*2048=0x0600

VSCALE=(360/480)*2048=0x0600

CMSHP=0x00f0

CMSVL=0x0168

CMDHP=0x0140

CMDVL=0x01e0

L1WW=0x0280

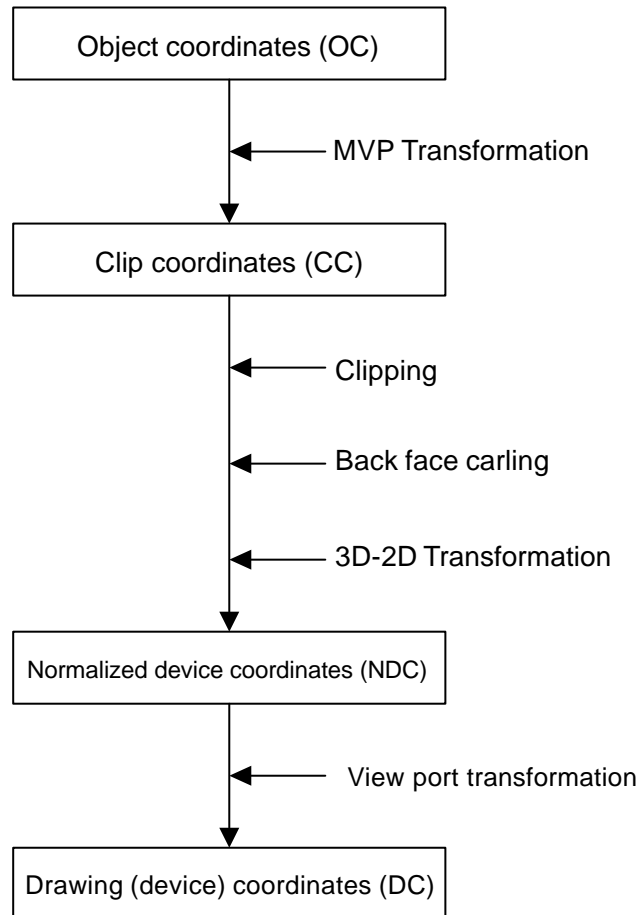
L1WH=0x01df

7. GEOMETRY ENGINE

7.1 Geometry Pipeline

7.1.1 Processing flow

The flow of geometry is shown below.



7.1.2 Model-view-projection (MVP) transformation (OC® CC coordinate transformation)

The geometry engine transforms the vertex of the “OC” coordinate system specified by the G_Vertex packet to the “CC” coordinate system according to the coordinate transformation matrix (OC → CC Matrix) specified by the G_LoadMatrix packet. The “OC → CC Matrix” is a “4 × 4” matrix consisting of a ModelView matrix and a Projection matrix.

If “Zoc” is not contained in the input parameter of the G_Vertex packet (Z-bit of GMDR0 is off), (OC → CC) coordinate transformation is processed as “Zoc = 0”.

When GMDR0[0] is 0 (orthogonal projection transformation), OC → CC coordinate transformation is processed as “Wcc = 1.0”.

OC: Object Coordinates

CC: Clip Coordinates

$$\begin{pmatrix} X_{cc} \\ Y_{cc} \\ Z_{cc} \\ W_{cc} \end{pmatrix} = \begin{pmatrix} Ma0 & Ma1 & Ma2 & Ma3 \\ Mb0 & Mb1 & Mb2 & Mb3 \\ Mc0 & Mc1 & Mc2 & Mc3 \\ Md0 & Md1 & Md2 & Md3 \end{pmatrix} \begin{pmatrix} X_{oc} \\ Y_{oc} \\ Z_{oc} \\ 1 \end{pmatrix}$$

Ma0 to Md3: OC → CC Matrix

Xoc to Zoc: X, Y, and Z of OC coordinate system

Xcc to Wcc: X, Y, Z, and W of CC coordinate system

7.1.3 3D-2D transformation (CC® NDC coordinate transformation)

The geometry engine divides “XYZ” of the “CC” coordinate system by “Wcc” (Perspective Division).

NDC: Normalized Device Coordinates

$$\begin{pmatrix} X_{ndc} \\ Y_{ndc} \\ Z_{ndc} \end{pmatrix} = \frac{1}{W_{cc}} \begin{pmatrix} X_{cc} \\ Y_{cc} \\ Z_{cc} \end{pmatrix}$$

Xndc to Zndc: X, Y, and Z of “NDC” coordinate system

7.1.4 View port transformation (NDC® DC coordinate transformation)

The geometry engine transforms “XYZ” of the “NDC” coordinate system to the “DC” coordinate system according to the transformation coefficient specified by G_ViewPort and G_DepthRange.

“X_Scaling,X_Offset” and “Y_Scaling,Y_Offset” are coefficients to be mapped finally to Frame Buffer. Xdc and Ydc must be included within the drawing input range (-4096 to 4095). “Z_Scaling” and “Z_Offset” are coefficients to be mapped finally to “Z Buffer”. “Zdc” must be included within the “Z Buffer” range (0 to 65535).

DC: Device Coordinates

$$X_{dc} = X_Scaling * X_{ndc} + X_Offset$$

$$Y_{dc} = Y_Scaling * Y_{ndc} + Y_Offset$$

$$Z_{dc} = Z_Scaling * Z_{ndc} + Z_Offset$$

7.1.5 View volume clipping

Expression for determination

The expression for determining the CORAL view volume clipping is shown below. W clipping is intended to prevent the overflow caused by 1/W.

$$X_{min} * W_{cc} \leq X_{cc} \leq X_{max} * W_{cc}$$

$$Y_{min} * W_{cc} \leq Y_{cc} \leq Y_{max} * W_{cc}$$

$$Z_{min} * W_{cc} \leq Z_{cc} \leq Z_{max} * W_{cc}$$

$$W_{min} \leq W_{cc}$$

Note: Xmin, Xmax, Ymin, Ymax, Zmin, Zmax, and Wmin are the clip boundary values set by the G_ViewVolumeXYClip/ZClip/WClip packet.

Clipping-on/-off

View volume clipping-on/off can be switched by using the clip boundary values set by the G_ViewVolumeXYClip/Zclip/WClip packet. To switch view volume clipping to off, set the maximum and minimum values of the geometry data format (IEEE single-precision floating point(*1)) in the “Clip.max” value(*2) and “Clip.min” value(*3), respectively. In this case, ‘All coordinate transformation results’ can be evaluated as within view volume range, making it possible to obtain the effect of view volume clipping-off.

This method is valid only when W clipping does not occur. When a clip boundary value (Wmin) that causes W clipping to occur is set, clipping is also performed for each clip area. Consequently, set an appropriate clip boundary value for Clip. Max value. and Clip. Min value., respectively.

If other values are set in “Clip.max” and Clip.min, view volume clipping-on operates. The coordinate transformation result is always compared with the values set in “Clip.max” and “Clip.min”.

*1: Maximum value = 0x7f7fffff, minimum value = 0xff7fffff

*2: Xmin, Ymin, Zmin, Wmin

*3: Xmax, Ymax, Zmax

An example of the G_ViewVolumeZclip packet is shown below.

```
0xf1012010 //Setting of GMDR0
0x00000000 //Data format: Floating point data format
0x45000000 //G_ViewVolumeZclip packet
0xff7fffff //Zmin.float setting value (minimum value of IEEE single-precision floating point)
0x7f7fffff //Zmax.float setting value (maximum value of IEEE single-precision floating point)
```

Example of G_ViewVolumeZclip Packet when Z Clipping Off

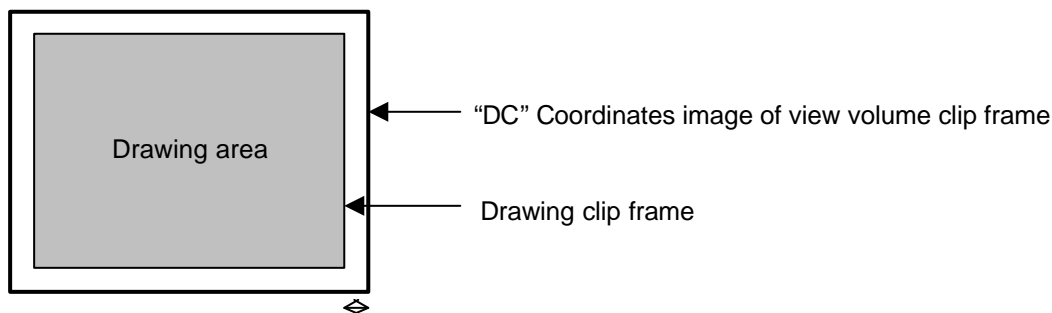
“W” clipping at orthogonal projection transformation

“W” at orthogonal projection transformation (GMDR0[0] = 0) is treated as “Wcc=1.0”. For this reason, to suppress “W” clipping, the set “Wmin” value must be larger than 0 and 1.0 or less.

Relationship with drawing clip frame

For the following reasons, the clip boundary values of the view volume should be set so that the values after DC coordinate transformation will be larger than the drawing clip frame (2 pixels or more).

- (1) “XY” on the view volume clip frame of the “CC” coordinate system may be drawn one pixel outside or inside the frame due to an operation error when it is finally mapped to the “DC” coordinate system.
- (2) When the end point of a line overlaps the view volume frame mapped to the “DC” coordinate system, there are two cases, where the dots on the frame are drawn, and not drawn depending on the specifying of the line drawing attribute (end point drawing/non-drawing).
- (3) When the start point of a line overlaps the view volume frame mapped to the “DC” coordinate system, the dots on the frame are always drawn. When the line drawing attribute is ‘end point non-drawing,’ the dots on the frame are drawn at the starting point, but they may not be drawn at the end point.
- (4) When applying to triangle and polygon drawing the rasterizing rule ‘dots containing center of pixel drawn. Dots on right side and base of triangle not drawn.’ depending on the value of the fraction, a gap may be produced between the right side and base of the frame.



A space of two pixels or more is required.

7.1.6 Back face culling

In CORAL, a triangle direction can be defined and a mode in which drawing for the back face is inhibited (back face culling) is supported. The on/off operation is controlled by the GMDR2[0] setting. GMDR2[0] must be set to 1 only when back face culling is required. When back face culling is not required such as in 'line,' 'point,' and 'polygon primitive,' GMDR2[0] must be set to 0.

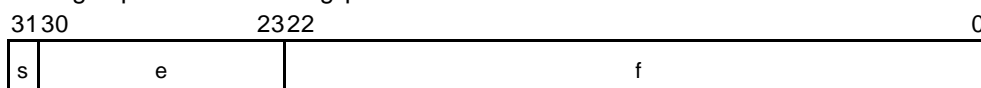
7.2 Data Format

7.2.1 Data format

The supported data formats are 32-bit single-precision floating-point format, 32-bit fixed-point format, integer packed format, and RGB packed format. All internal processing is performed in the floating-point format. For this reason, the integer packed format, fixed-point format, and RGB packed format must be converted to the floating-point format. The processing speeds in these formats are slightly lower than in the 32-bit single-precision floating-point format.

The data format to use is selected by setting the GMDR0 register.

- (1) 32-bit single-precision floating-point format



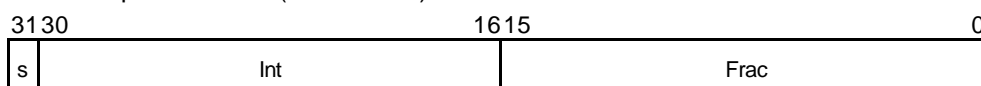
s: Sign bit (1 bit)

e: Exponent part (8 bits)

f: Mantissa (23 bits): '1.f' shows the fraction. '1' is a hidden bit.

The numerical value of the floating-point format becomes $(-1)^s(1.f)2^{(e-127)}$ ($0 < e < 255$).

- (2) Signed fixed-point format (SFIX16.16)

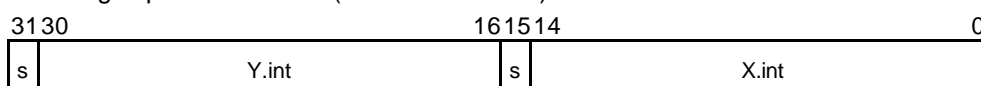


s: Sign bit (1 bit)

int: Integer (15 bits)

frac: Fraction (16 bits)

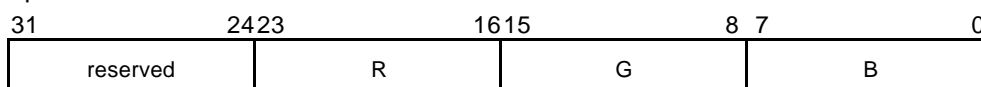
- (3) Signed integer packed format (SINT16.SINT16)



s: Sign bit (1 bit)

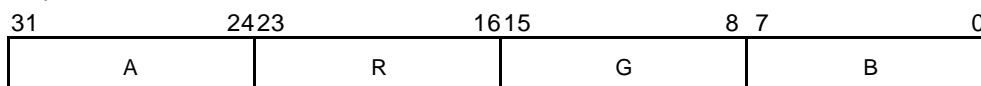
int: Integer (15 bits)

- (4) RGB packed format



R, G, B: Color bits (8 bits)

- (5) ARGB packed format



A: Alpha bits (8 bits)

R, G, B: Color bits (8 bits)

7.3 Setup Engine

7.3.1 Setup processing

The vertex data transformed by the geometry engine is transferred to the setup engine. CORAL has a drawing interface that is compatible with the MB86290A. It operates parameters for various slope calculations, etc., with the setup engine. When the obtained parameters are set in the drawing engine, the final drawing processing starts.

7.4 Log Output of Device Coordinates

A function is provided to output device coordinates (DC) data obtained by view port conversion to local memory (graphics memory).

7.4.1 Log output mode

Drawing & log output command

Log output of drawing coordinates (device coordinates) can be performed concurrently with `nclip_Points.int` primitive drawing.

Log output can be controlled using the command with log output on/off attribute; log output is performed only when the log output on attribute is specified.

Log output dedicated command

When the log output dedicated command is used, log output of the device coordinates can be performed.

7.4.2 Log output destination address

The log output destination address is controlled using the device coordinates log pointer.

Log pointer is auto-increment-pointer, increment with log output.

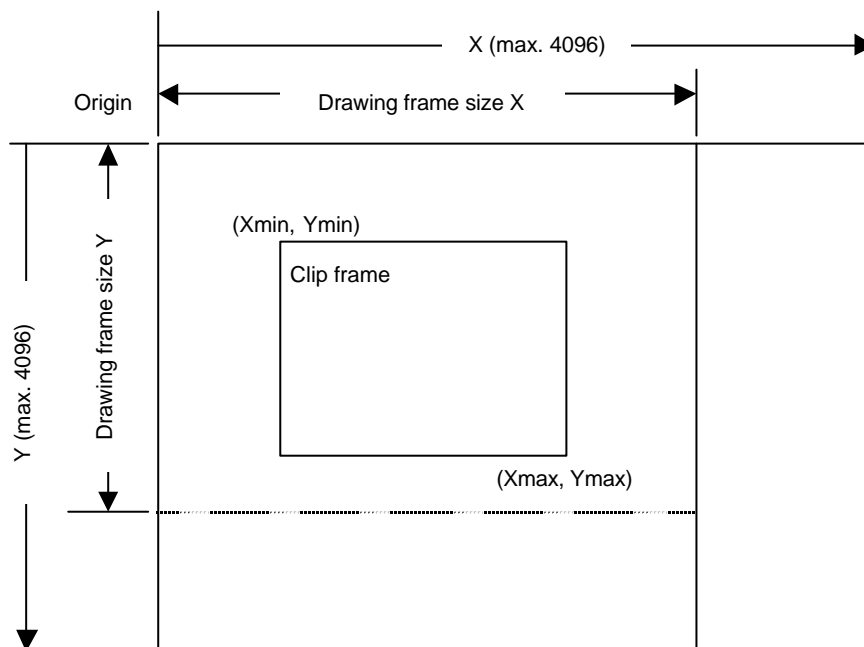
8. DRAWING PROCESSING

8.1 Coordinate System

8.1.1 Drawing coordinates

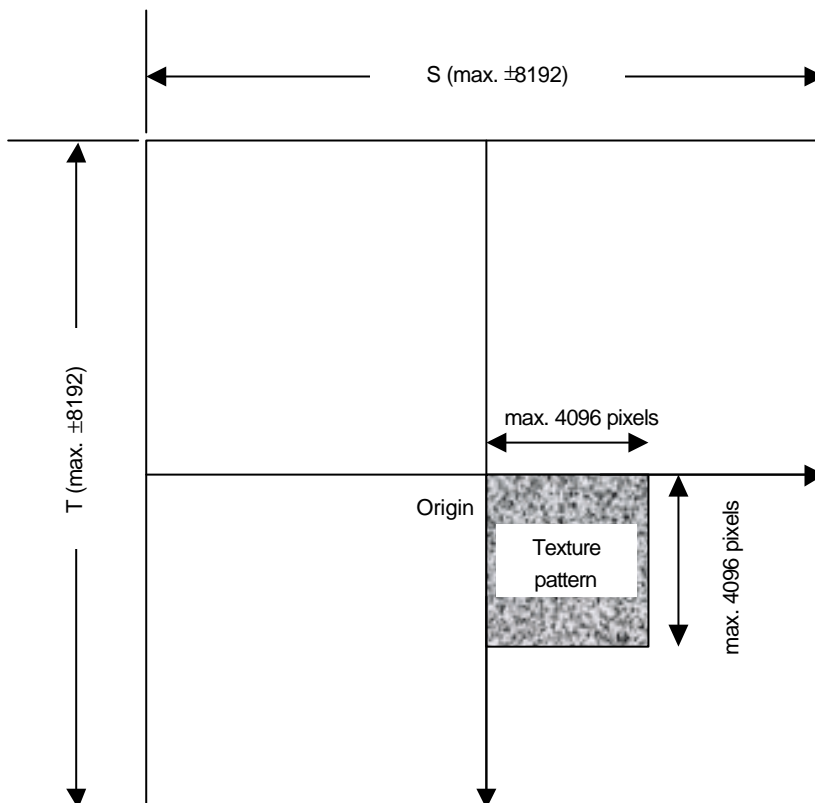
After the calculation of coordinates by the geometry engine, CORAL draws data in the drawing frame in the graphics memory that finally uses the drawing coordinates (device coordinates).

Drawing frame is treated as 2D coordinates with the origin at the top left as shown in the figure below. The maximum coordinates is 4096×4096 . Each drawing frame is located in the Graphics Memory by setting the address of the origin and resolution of X direction (size). Although the size of Y direction does not need to be set, Y coordinates which are max. at drawing must not be overlapped with other area. In addition, at drawing, specifying the clip frame (top left and bottom right coordinates) can prevent the drawing of images outside the clip frame.



8.1.2 Texture coordinates

Texture coordinate is a 2D coordinate system represented as S and T (S: horizontal, T: vertical). Any integer in a range of -8192 to +8191 can be used as the S and T coordinates. The texture coordinates is correlated to the 2D coordinates of a vertex. One texture pattern can be applied to up to 4096 × 4096 pixels. The pattern size is set in the register. When the S and T coordinates exceed the maximum pattern size, the repeat, cramp or border color option is selected.



8.1.3 Frame buffer

For drawing, the following area must be assigned to the Graphics Memory. The frame size (count of pixels on X direction) is common for these areas.

Drawing frame

The results of drawing are stored in the graphical image data area. Both the direct and indirect color mode are applicable.

Z buffer

Z buffer is required for eliminating hidden surfaces. In 16 bits mode, 2 bytes and in 8 bits mode, 1 byte are required per 1 pixel.

Polygon drawing flag buffer

This area is used for polygon drawing. 1 bit is required per 1 pixel.

8.2 Figure Drawing

8.2.1 Drawing primitives

CORAL has a drawing interface that is compatible with the MB86290A graphics controller which does not perform geometry processing. The following types of figure drawing primitives are compatible with the MB86290A.

- Point
- Line
- Triangle
- High-speed 2DLine
- High-speed 2DTriangle
- Polygon

8.2.2 Polygon drawing function

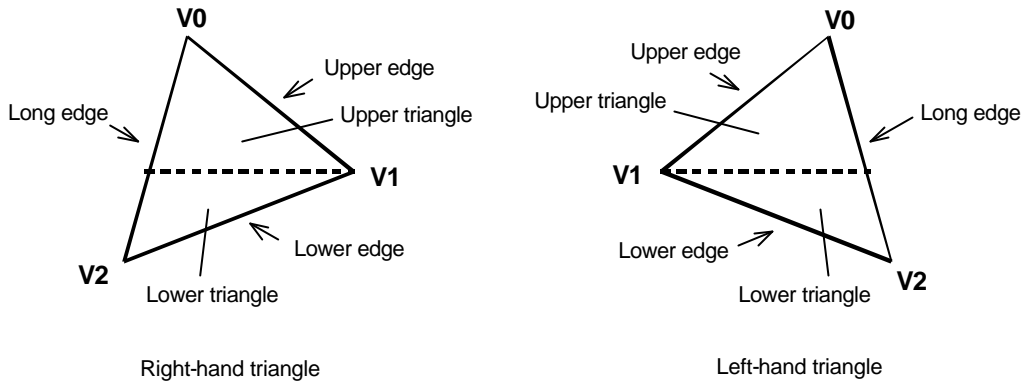
An irregular polygon (including concave shape) is drawn by hardware in the following manner:

1. Execute PolygonBegin command.
Initialize polygon drawing hardware.
2. Draw vertices.
Draw outline of polygon and plot all vertices to polygon draw flag buffer using high-speed 2DTriangle primitive.
3. Execute PolygonEnd command.
Copy shape in polygon draw flag buffer to drawing frame and fill shape with color or specified tiling pattern.

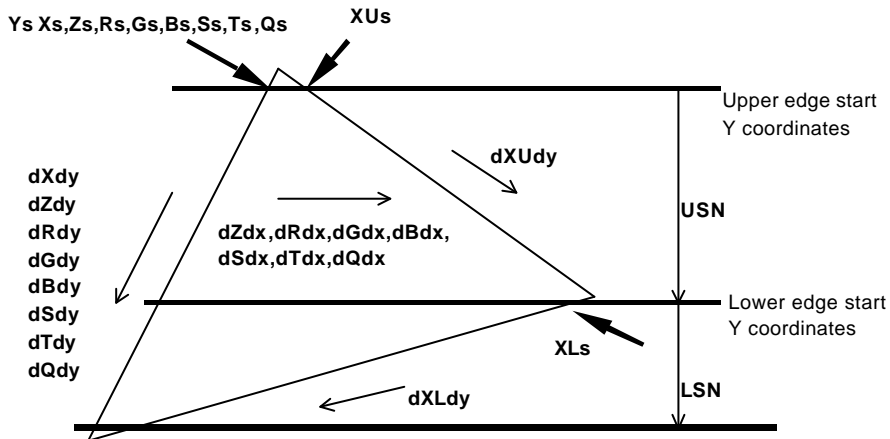
8.2.3 Drawing parameters

The MB86290A-compatible interface uses the following parameters for drawing:

The triangles (Right triangle and Left triangle) are distinguished according to the locations of three vertices as follows (not used for high-speed 2DTriangle):



The following parameters are required for drawing triangles (for high-speed 2DTriangle, X and Y coordinates of each vertex are specified).



Note: Be careful about the positional relationship between coordinates Xs, XUs, and XLs. For example, in the above diagram, when a right-hand triangle is drawn using the parameter that shows the coordinates positional relationship Xs (upper edge start Y coordinates) > XUs or Xs (lower edge start Y coordinates) > XLs, the appropriate picture may not be drawn.

Ys	Y coordinates start position of long edge in drawing triangle
Xs	X coordinates start position of long edge corresponding to Ys
XUs	X coordinates start position of upper edge
XLs	X coordinates start position of lower edge
Zs	Z coordinates start position of long edge corresponding to Ys
Rs	R color value of long edge corresponding to Ys
Gs	G color value of long edge corresponding to Ys
Bs	B color value of long edge corresponding to Ys
Ss	S coordinate of textures of long edge corresponding to Ys
Ts	T coordinate of textures of long edge corresponding to Ys
Qs	Q perspective correction value of texture of long edge corresponding to Ys
dXdY	X DDA value of long edge direction
dXUdy	X DDA value of upper edge direction
dXLdy	X DDA value of lower edge direction
dZdy	Z DDA value of long edge direction
dRdy	R DDA value of long edge direction
dGdy	G DDA value of long edge direction
dBdy	B DDA value of long edge direction
dSdy	S DDA value of long edge direction
dTdy	T DDA value of long edge direction
dQdy	Q DDA value of long edge direction
USN	Count of spans of upper triangle
LSN	Count of spans of lower triangle
dZdx	Z DDA value of horizontal direction
dRdx	R DDA value of horizontal direction
dGdx	G DDA value of horizontal direction
dBdx	B DDA value of horizontal direction
dSdx	S DDA value of horizontal direction
dTdx	T DDA value of horizontal direction
dQdx	Q DDA value of horizontal direction

8.2.4 Anti-aliasing function

CORAL performs anti-aliasing to make jaggies less noticeable and smooth on line edges. To use this function at the edges of primitives, redraw the primitive edges with anti-alias lines.

8.3 Bit Map Processing

8.3.1 BLT

A rectangular shape in pixel units can be transferred. There are following types of transfer:

1. Transfer from host CPU to Drawing frame memory
2. Transfer between Graphics Memories including Drawing frame
3. Transfer from host CPU to internal texture memory
4. Transfer from Graphics Memory to internal texture memory

Concerning 1 and 2 above, 2-term logic operation is performed between source and destination data and its result can be stored.

Setting a transparent color enables a drawing of a specific pixel with transmission.

If part of the source and destination of the BLT field are physically overlapped in the display frame, the start address (from which vertex the BLT field to be transferred) must be set correctly.

8.3.2 Pattern data format

CORAL can handle three bit map data formats: indirect color mode (8 bits/pixel), direct color mode (16 bits/pixel, 24 bits/pixel), and binary bit map (1 bit/pixel).

The binary bit map is used for character/font patterns, where foreground color is used for bitmap = 1 pixel, and background color (background color can be set to be transparent by setting) is applied for bitmap = 0 pixels.

8.4 Texture Mapping

8.4.1 Texture size

CORAL reads texcel corresponding to the specified texture coordinates (S, T), and draws that data at the correlated pixel position of the polygon. For the S and T coordinates, the selectable texture data size is any value in the range from 16 to 4096 pixels represented as an exponent of 2.

8.4.2 Texture memory

Texture pattern data is stored in either CORAL internal texture RAM or externally connected Graphics Memory. The CORAL texture RAM can store up to 64×64 pixels of texture (at 16-bit color). If the texture pattern size is smaller than 64×64 pixels, it is best to store it in the internal texture buffer because the texture mapping speed is faster.

Note the following point when using the texture:

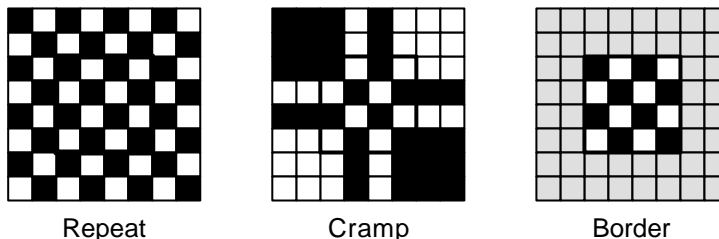
- When access (e.g., CPU read/write) is made to the internal texture RAM other than the display list during drawing, the drawing results are not assured.

8.4.3 Texture color

Drawing of 8-/16-/24-bit direct color is supported for the texture pattern. For drawing 8-bit direct color, only point sampling can be specified for texture interpolation; only de-curl can be specified for the blend mode.

8.4.4 Texture lapping

If a negative or larger than the specified texture pattern size is specified as the texture coordinates (S, T), according to the setting, one of these options (repeat, cramp or border) is selected for the 'out-of-range' texture mapping. The mapping image for each case is shown below:



Repeat

This just simply masks the upper bits of the applied (S, T) coordinates. When the texture pattern size is 64×64 pixels, the lower 6 bits of the integer part of (S, T) coordinates are used for S and T coordinates.

Cramp

When the applied (S, T) coordinates is either negative or larger than the specified texture pattern size, cramp the (S, T) coordinate as follows instead of texture:

$S < 0$	$S = 0$
$S > \text{Texture X size} - 1$	$S = \text{Texture X size} - 1$

Border

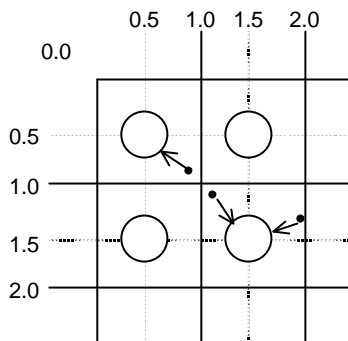
When the applied (S, T) coordinate is either negative or larger than the specified texture pattern size, the outside of the specified texture pattern is rendered in the 'border' color.

8.4.5 Filtering

CORAL supports two texture filtering modes: point filtering, and bi-linear filtering.

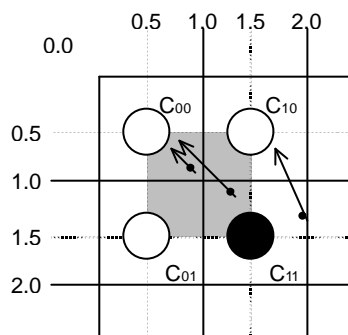
Point filtering

This mode uses the texture pixel specified by the (S, T) coordinates as they are for drawing. The nearest pixel in the texture pattern is chosen according to the calculated (S, T) coordinates.



Bi-linear filtering

The four nearest pixels specified with (S, T) coordinate are blended according to the distance from specified point and used in drawing.



8.4.6 Perspective correction

This function corrects the distortion of the 3D perspective in the texture mapping. For this correction, the 'Q' component of the texture coordinates ($Q = 1/W$) is set based on the W component of 3D coordinates of the vertex.

When the texture coordinates are large values, the texture may not be drawn correctly when perspective correction is performed. This phenomenon occurs due to the precision limitation of the arithmetical unit for perspective correction. The coordinates for the texture that cannot be drawn normally vary with the value of the Q component; as a guide, when this value is smaller than -2048 or larger than 2048, normal drawing results are less likely to be obtained.

8.4.7 Texture blending

CORAL supports the following three blend modes for texture mapping:

De-curl

This mode displays the selected texture pixel color regardless of the polygon color.

Modulate

This mode multiplies the native polygon color (C_P) and selected texture pixel color (C_T) and the result is used for drawing. Rendering color is calculated as follows (C_O):

$$C_O = C_T \times C_P$$

Stencil

This mode selects the display color from the texture color with MSB as a flag.

MSB = 1: Texture color

MSB = 0: Polygon color

8.4.8 Bi-linear high-speed mode

Bi-linear filtering is performed at high speed by creating normal texture data in advance with four-pixel redundancy for one pixel.

One pixel requires information of about four pixels, so an area of four times the normal area is used. This data format can only be used only for the bi-linear filtering mode; it cannot be used for the point sampling mode.

The wrapping mode is limited to REPEAT and the color mode is limited to 16-bit color.

	0	1	2	3	4	5	6	7
0	00	01	02	03	04	05	06	07
1	08	09	10	11	12	13	14	15
2	16	17	18	19	20	21	22	23
3	24	25	26	27	28	29	30	31
4	32	33	34	35	36	37	38	39
5	40	41	42	43	44	45	46	47
6	48	49	50	51	52	53	54	55
7	56	57	58	59	60	61	62	63

Normal texture layout (8 × 8 pixels)

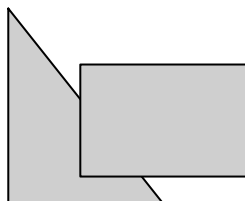
	0	1		6	7												
0	00	01	08	09	01	02	09	10	to	06	07	14	15	07	00	15	08
1	08	09	16	17	09	10	17	18	to	14	15	12	13	15	08	23	16
2	16	17	24	25	17	18	25	26	to	22	23	30	31	23	16	31	24
3	24	25	32	33	25	26	33	34	to	30	31	38	39	31	24	39	32
4	32	33	40	41	33	34	41	42	to	38	39	46	47	39	32	47	40
5	40	41	48	49	41	42	49	50	to	46	47	54	55	47	40	55	48
6	48	49	56	57	49	50	57	58	to	54	55	62	63	55	48	63	56
7	56	57	00	01	57	58	01	02	to	62	63	06	07	63	56	07	00

Texture layout in bi-linear mode (8 × 8 pixels)

8.5 Rendering

8.5.1 Tiling

Tiling reads the pixel color from the correlated tiling pattern and maps it onto the polygon. The tiling determines the pixel on the pattern read by pixel coordinates to be drawn, irrespective of position and size of primitive. Since the tiling pattern is stored in the texture memory, this function and texture mapping cannot be used at the same time. Also, the tiling pattern size is limited to within 64×64 pixels. (at 16-bit color)



Example of Tiling

8.5.2 Alpha blending

Alpha blending blends the drawn in frame buffer to-be-drawn pixel or pixel already according to the alpha value set in the alpha register. This function cannot be used simultaneously with logic operation drawing. It can be used only when the direct color mode (16 bits/pixel, 24 bits/pixel) is used. The blended color C is calculated as shown below when the color of the pixel to be drawn is C_P , the color of frame buffer is C_F , and the alpha value is A :

$$C = C_P \times A + (1-A) \times C_F$$

The alpha value is specified as 8bit data. 00h means alpha value 0% and FFh means alpha value 100%. When the texture mapping function is enabled, the following blending modes can be selected:

Normal

Blends post texture mapping color with frame buffer color

Stencil

Uses MSB of texcel color for ON/OFF control:

MSB = 1: Texcel color

MSB = 0: Frame buffer color

Stencil alpha

Uses MSB of texcel color for α /OFF control:

MSB = 1: Alpha blend texcel color and current frame buffer color

MSB = 0: Frame buffer color

8.5.3 Logic operation

This mode executes a logic operation between the pixel to be drawn and the one already drawn in frame buffer and its result is drawn. Alpha blending cannot be used when this function is specified.

Type	ID	Operation	Type	ID	Operation
CLEAR	0000	0	AND	0001	S & D
COPY	0011	S	OR	0111	S D
NOP	0101	D	NAND	1110	!(S & D)
SET	1111	1	NOR	1000	!(S D)
COPY INVERTED	1100	!S	XOR	0110	S xor D
INVERT	1010	!D	EQUIV	1001	!(S xor D)
AND REVERSE	0010	S & !D	AND INVERTED	0100	!S & D
OR REVERSE	1011	S !D	OR INVERTED	1101	!S D

8.5.4 Hidden plane management

CORAL supports the Z buffer for hidden plane management.

This function compares the Z value of a new pixel to be drawn and the existing Z value in the Z buffer. Display/not display is switched according to the Z-compare mode setting. Define the Z-buffer access options in the ZWRITEMASK mode.

The Z compare operation type is determined by the Z compare mode.

Either 16 or 8 bits can be selected for the Z-value.

ZWRITEMASK		
	1	Compare Z values, no Z value write overwrite
	0	Compare Z values, Z value write

Z Compare mode	Code	Condition
NEVER	000	Never draw
ALWAYS	001	Always draw
LESS	010	Draw if pixel Z value < current Z buffer value
LEQUAL	011	Draw if pixel Z value ≤ current Z buffer value
EQUAL	100	Draw if pixel Z value = current Z buffer value
GEQUAL	101	Draw if pixel Z value ≥ current Z buffer value
GREATER	110	Draw if pixel Z value > current Z buffer value
NOTEQUAL	111	Draw if pixel Z value != current Z buffer value

8.6 Drawing Attributes

8.6.1 Line drawing attributes

In drawing lines, the following attributes apply:

Line Drawing Attributes

Drawing Attribute	Description
Line width	Line width selectable in range of 1 to 32 pixels
Broken line	Specify broken line pattern in 32-bit data
Anti-alias	Line edge smoothed when anti-aliasing enabled

8.6.2 Triangle drawing attributes

In drawing triangles, the following attributes apply (these attributes are disabled in high-speed 2D Triangle). Texture mapping and tiling have separated texture attributes:

Triangle Drawing Attributes

Drawing Attribute	Description
Shading	Gouraud shading or flat shading selectable
Alpha blending	Set alpha blending enable/disable per polygon
Alpha blending coefficient	Set color blending ratio of alpha blending

8.6.3 Texture attributes

In texture mapping, the following attributes apply:

Texture Attributes

Drawing Attribute	Description
Texture mode	Select either texture mapping or tiling
Texture memory mode	Select either internal texture buffer or external Graphics Memory to use in texture mapping
Texture filter	Select either point sampling or bi-linear filtering
Texture coordinates correction	Select either linear or perspective correction
Texture wrap	Select either repeat or clamp of texture pattern
Texture blend mode	Select either decal or modulate
Bi-linear high-speed mode	Texture data is created in a dedicated format to perform high-speed bi-linear filtering.

8.6.4 BLT attributes

In BLT drawing, the following attributes apply:

BLT Attributes

Drawing Attribute	Description
Logic operation mode	Specify two source logic operation mode
Transparency mode	Set transparent copy mode and transparent color

8.6.5 Character pattern drawing attributes

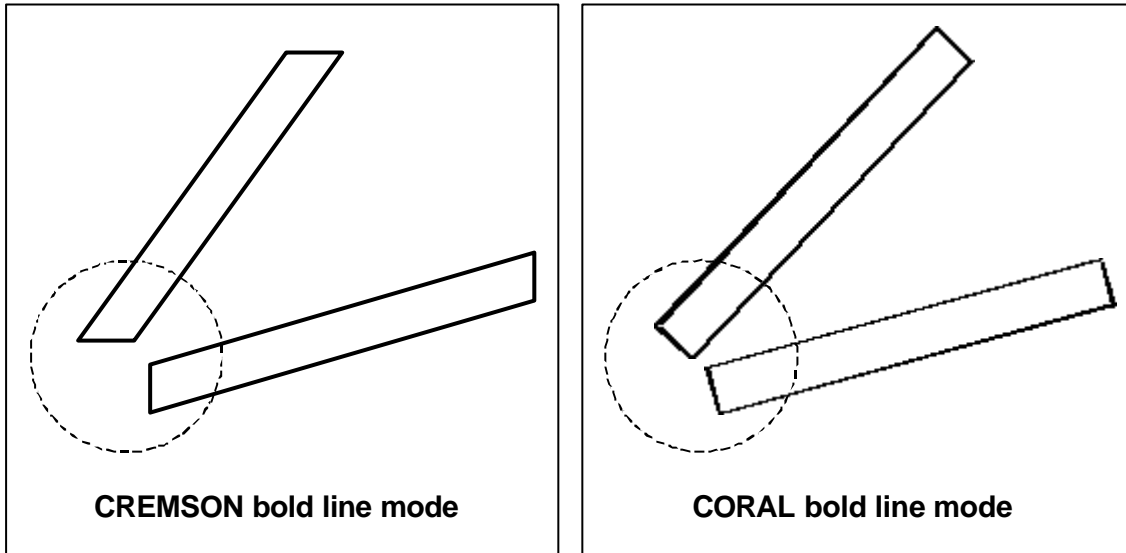
Character Pattern Drawing

Drawing Attribute	Description
Character pattern enlarge/shrink	2×2 , $\times 2$ horizontal, $1/2 \times 1/2$, $\times 1/2$ horizontal
Character pattern color	Set character color and background color
Transparency/non-transparency	Set background color to transparency/non-transparency

8.7 Bold Line

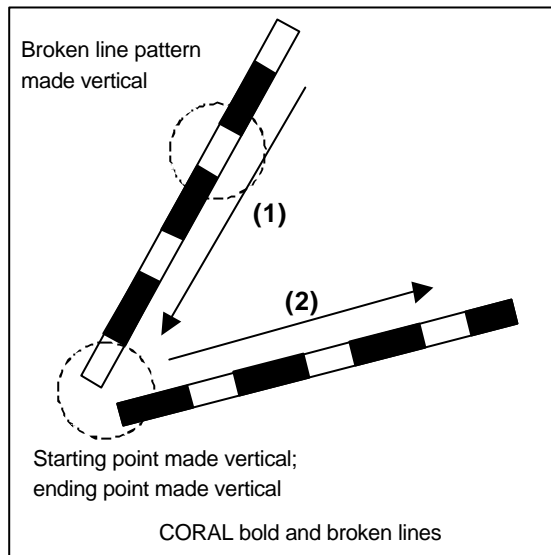
8.7.1 Starting and ending points

- In the CREMSON bold line mode, the starting and ending points are vertical to the principal axis.
- In the CORAL bold line mode, the starting and ending points are vertical to the theoretical line.
- Caution: CORAL line is generated by different algorithm. Thus drawing position is little bit different from other primitive.



8.7.2 Broken line pattern

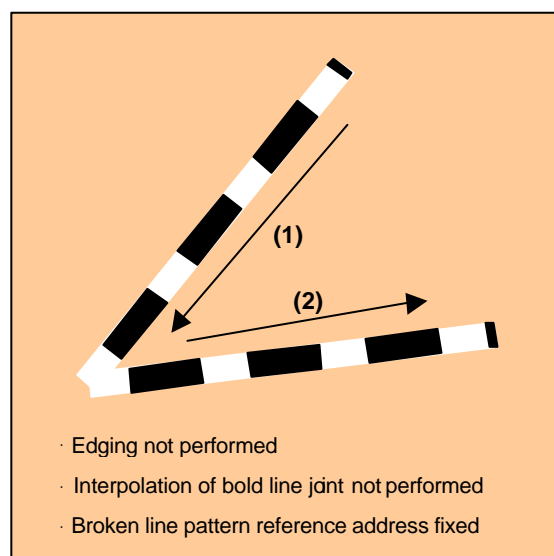
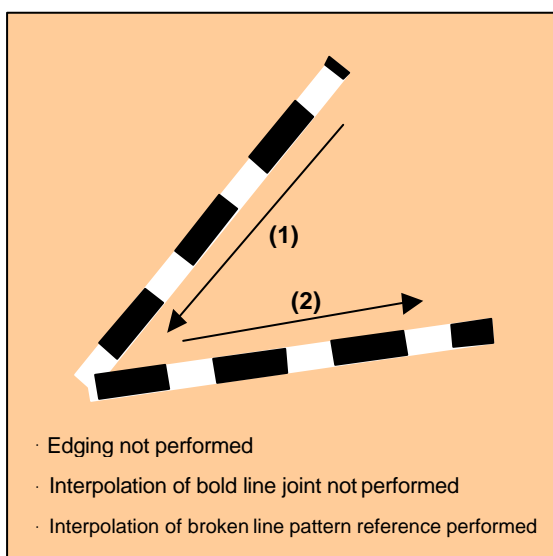
- The broken line pattern vertical to the theoretical line (the CORAL broken line pattern) is supported.
- In the CREMSON bold line mode, lines can be drawn using the broken line pattern vertical to the CREMSON-compatible principal axis (the CREMSON broken line pattern), and can also be drawn using the CORAL broken line pattern.
- In the CORAL bold line mode, only the CORAL broken line pattern is supported.



Interpolation of broken line pattern

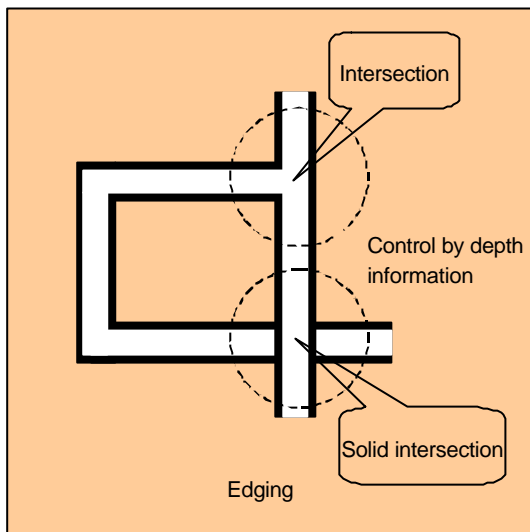
Two types of interpolation modes are supported:

- No interpolation mode: Interpolation is not performed.
- Broken line pattern reference address fix mode: The same broken line pattern is referenced for several pixels before and after the joint of the bold line. Any pixel count can be set by the user.



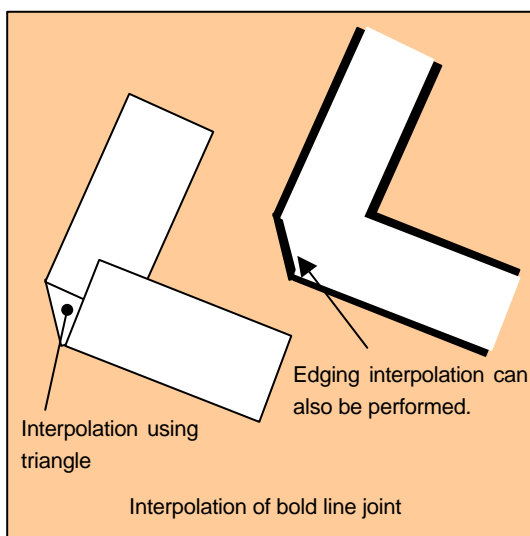
8.7.3 Edging

- The edging line is supported.
- The line body and edging section can have depth information (Z offset). This mechanics makes it possible to easily represent a good connection of the overlaid part of the edging line. For example, when the line body depth information and edging section depth information are the same, the drawing result of the edging line is like the intersection shown in the figure below. Also, when the line body depth information and edging section depth information are different, the drawing result of the edging line is like the solid intersection shown in the figure below.



8.7.4 Interpolation of bold line joint

- In the bold line joint interpolation mode, the bold line joint is interpolated using a triangle as shown in the figure below.
- The edging line joint is also interpolated using a triangle, but the said depth information makes it possible to represent a good connection as shown in the figure below.
- Caution: Sometime joint shape looks not perfect. (using approximate calculation)



8.8 DISPLAY LIST

8.8.1 Overview

Display list is a set of display list commands, parameters and pattern data. All display list commands stored in a display list are executed consequently.

The display list is transferred to the display list FIFO by one of the following methods:

- Write to display FIFO by CPU
- Transfer from main memory to display FIFO by external DMA
- Transfer from graphics memory to display FIFO by register setting

Display list Command-1
Data 1-1
Data 1-2
Data 1-3
Display list Command-2
Data 2-1
Data 2-2
Data 2-3
...

Display List

8.8.2 Header format

The format of the display list header is shown below.

Format List

Format	31					24	23					16	15									0
Format 1	Type				Reserved				Reserved													
Format 2	Type				Count				Address													
Format 3	Type				Reserved				Reserved										Vertex			
Format 4	Type				Reserved				Reserved						Flag		Vertex					
Format 5	Type				Command				Reserved													
Format 6	Type				Command				Count													
Format 7	Type				Command				Reserved										Vertex			
Format 8	Type				Command				Reserved						Flag		Vertex					
Format 9	Type				Reserved				Reserved						Flag							
Format 10	Type				Reserved				Count													

Description of Each Field

Type	Display list type
Command	Command
Count	Count of data excluding header
Address	Address value used at data transfer
Vertex	Vertex number
Flag	Attribute flag peculiar to display list command

Vertex Number Specified in Vertex Code

Vertex	Vertex number (Line)	Vertex number (Triangle)
00	V0	V0
01	V1	V1
10	Setting prohibited	V2
11	Setting prohibited	Setting prohibited

8.8.3 Parameter format

The parameter format of the geometry command depends on the value set in the D field of GMDR0. When the D field is "00", all parameters are handled in the floating-point format. When the D field is "01", colors are handled as the packed RGB format, and others are handled as the fixed-point format. When the D field is "11", XY is handled as the packed integer format, colors are handled as the packed RGB format, and others are handled as the fixed-point format.

In the following text, the floating-point format is suffixed by `.float`, the fixed point format is suffixed by `.fixed`, and the integer format is suffixed by `.int`. Set GMDR0 properly to match parameter suffixes.

Rendering command parameters conform to the MB86290A data format.

8.8.4 Geometry command list

CORAL geometry commands and each command code are shown in the table below.

Type	Command	Description
G_Nop	—	No operation
G_Begin	See Geometry command code table .	Specifies primitive type and pre-processes
G_BeginCont	—	Specifies primitive type (vertex processing in same mode as previous mode)
G_BeginE	See Geometry command code table .	Specifies primitive type and pre-processes This command is used at execution of the CORAL extended function.
G_BeginECont	—	Specifies primitive type (vertex processing in same mode as previous mode) This command is used at execution of the CORAL extended function.
G_End	—	Ends primitive This command is used at execution of G_Begin or G_BeginCont
G_EndE	—	Ends primitive This command is used at execution of G_BeginE or G_BeginECont.
G_Vertex	—	Sets vertex parameter and draws
G_VertexLOG	—	Sets vertex parameter and draws Outputs device coordinates
G_VertexNopLOG	—	Only outputs device coordinates
G_Init	—	Initialize geometry engine
G_Viewport	—	Scale to screen coordinates (X, Y) and set origin offset
G_DepthRange	—	Scale to screen coordinates (Z) and set origin offset
G_LoadMatirix	—	Load geometric transformation matrix
G_ViewVolumeXYClip	—	Set boundary value (X, Y) of view volume clip
G_ViewVolumeZClip	—	Set boundary value (Z) of view volume clip
G_ViewVolumeWClip	—	Set boundary value (W) of view volume clip
OverlapXYOfft	See Command table .	Sets XY offset at shading
OverlapZOfft	See Command table .	Sets Z offset of shade primitive; sets Z offset of edge primitive; sets Z offset of interpolation primitive at 2D drawing with top-left non-applicable
DC_LogOutAddr	—	Sets starting address of device coordinates output
SetModeRegister	See Command table .	Sets drawing extended mode register
SetGModeRegister	See Command table .	Sets geometry extended mode register
SetColorRegister	See Command table .	Sets body color, shade color, and edge color
SetLVertex2i	—	Pass through high-speed 2DLine drawing register
SetLVertex2iP	—	Pass through high-speed 2DLine drawing register

Type code table

Type	Code
G_Nop	0010_0000
G_Begin	0010_0001
G_BeginCont	0010_0010
G_End	0010_0011
G_Vertex	0011_0000
G_VertexLOG	0011_0010
G_VertexNopLOG	0011_0011
G_Init	0100_0000
G_Viewport	0100_0001
G_DepthRange	0100_0010
G_LoadMatirix	0100_0011
G_ViewVolumeXYClip	0100_0100
G_ViewVolumeZClip	0100_0101
G_ViewVolumeWClip	0100_0110
SetLVertex2i	0111_0010
SetLVertex2iP	0111_0011
SetModeRegister	1100_0000
SetGModeRegister	1100_0001
OverlapXY0fft	1100_1000
OverlapZ0fft	1100_1001
DC_LogOutAddr	1100_1100
SetColorRegister	1100_1110
G_BeginE	1110_0001
G_BeginContE	1110_0010
G_EndE	1110_0011

Geometry command code table

(1) Floating point setup type → Integer setup type

This function is deleted. (Coral Series)

Command	Code
Points	0000_0000
Lines	0000_0001
Polygon	0000_0010
Triangles	0000_0011
Line_Strip	0000_0101
Triangle_Strip	0000_0111
Triangle_Fan	0000_1000

(2) Integer setup type

In setup processing, “XY” is calculated in the integer format and other parameters are calculated in the floating-point format.

Command	Code
Points.int	0001_0000
Lines.int	0001_0001
Polygon.int	0001_0010
Triangles.int	0001_0011
Line_Strip.int	0001_0101
Triangle_Strip.int	0001_0111
Triangle_Fan.int	0001_1000

(3) “Unclipped” integer setup type

This command does not clip the view volume.

Only “XY” is enabled as the input parameter.

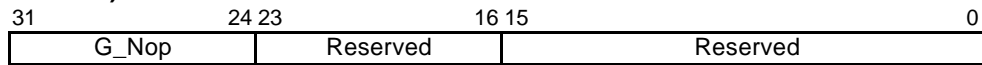
In setup processing, “XY” is calculated in the integer format.

The screen projection (GMDR0[0]=1) performed using this command is not assured.

Command	Code
nclip_Points.int	0011_0000
nclip_Lines.int	0011_0001
nclip_Polygon.int	0011_0010
nclip_Triangles.int	0011_0011
nclip_Line_Strip.int	0011_0101
nclip_Triangle_Strip.int	0011_0111
nclip_Triangle_Fan.int	0011_1000

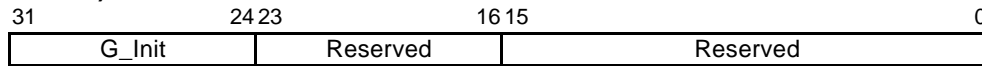
8.8.5 Explanation of geometry commands

G_Nop (Format 1)



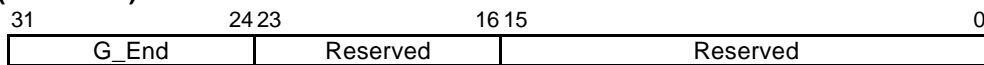
No operation

G_Init (Format 1)



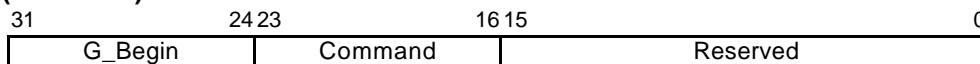
The **G_Init** command initializes geometry engine. Execute this command before processing.

G_End (Format 1)



The **G_End** command ends one primitive. The **G_Vertex** command must be specified between the **G_Begin** or **G_BeginCont** command and **G_End** command.

G_Begin (Format 5)



The **G_Begin** command sets types of primitive for geometry processing and drawing. A vertex is set and drawn by the **G_Vertex** command. The **G_Vertex** command must be specified between the **G_Begin** or **G_BeginCont** command and **G_End** command.

Command:

- Points* Handles primitive as point
- Lines* Handles primitive as independent line
- Polygon* Handles primitive as polygon
- Triangles* Handles primitive as independent triangle
- Line_Strip* Handles primitive as line strip
- Triangle_Strip* Handles primitive as triangle strip
- Triangle_Fan* Handles primitive as triangle fan

Usable combinations of GMDR0 mode setting and primitives are as follows:

Unclipped primitives (nclip*)

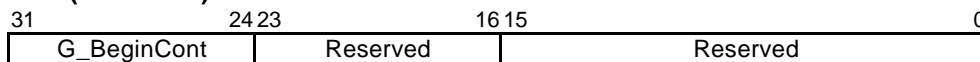
(ST,Z,C)	Point	Line	Triangle	Polygon
(0,0,0)	○	○	○	○
Other than above	/	/	/	/

Primitives other than unclipped primitives

(ST,Z,C)	Point	Line	Triangle	Polygon
(0,0,0)	○	○	○	○
(0,0,1)	/	/	○	/
(0,1,0)	○	○	○	○
(0,1,1)	/	/	○	/
(1,x,x)	/	/	○	○ (*1)

*1: Shading is not assured.

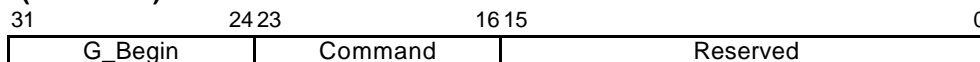
G_BeginCont (Format 1)



When the primitive type set by the **G_Begin** command the last time and drawing mode are not changed, the **G_BeginCont** command is used instead of the **G_Begin** command. The **G_BeginCont** command is processed faster than the **G_Begin** command.

The packet that can be set between the **G_End** packet set just before and the **G_BeginCont** packet is only 'foreground color setting by the SetRegister packet.' The **G_Vertex** command must be specified between the **G_Begin** or **G_BeginCont** command and **G_End** command. No primitive type need be specified in the **G_BeginCont** command.

G_BeginE (Format 5)



This is the extended **G_Begin** command.

When using the following functions, this command must be executed instead of **G_Begin**.

- Mode register
MDR1S/MDR1B/MDR1TL/MDR2S/MDR2TL/GMDR1E/GMDR2E
- Log output of device coordinates
G_VertexLOG/G_VertexNopLOG

The **G_BeginE** command sets types of primitive for geometry processing and drawing. Vertex setting/drawing using the above extended function is performed using the **G_Vertex*** command. The **G_Vertex*** command must be set between the **G_BeginE** command (or the **G_BeginECont** command) and the **G_EndE** command.

Command:

- Points* Handles primitive as point
- Lines* Handles primitive as independent line
Interpolation of the joint and broken line pattern is not supported.
- Polygon* Handles primitive as polygon
- Triangles* Handles primitive as independent triangle
- Line_Strip* Handles primitive as line strip
- Triangle_Strip* Handles primitive as triangle strip
- Triangle_Fan* Handles primitive as triangle fan

Usable combinations of GMDR0 mode setting and primitives are as follows:

Unclipped primitives (nclip*)

(ST,Z,C)	Point	Line	Triangle	Polygon
(0,0,0)	○	○	○	○
Other than above	∕	∕	∕	∕

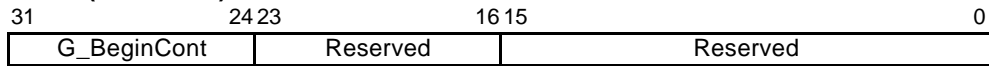
Primitives other than unclipped primitives

(ST,Z,C)	Point	Line	Triangle	Polygon*2
(0,0,0)	○	○	○	○
(0,0,1)	∕	∕	○	∕
(0,1,0)	○	○	○	○
(0,1,1)	∕	∕	○	∕
(1,x,x)	∕	∕	○	○ (*1)

*1: Shading is not assured.

*2: Texture and depth quality is less than Triangle

G_BeginECont (Format 1)



When the primitive type set by the **G_BeginE** command the last time and drawing mode are not changed, the **G_BeginECont** command is used instead of the **G_BeginE** command. The **G_BeginECont** command is processed faster than the **G_BeginE** command.

The packet that can be set between the **G_End** packet set just before and the **G_BeginCont** packet is only 'foreground color setting by the SetRegister packet.' The **G_Vertex** command must be specified between the **G_Begin** or **G_BeginCont** command and **G_End** command. No primitive type need be specified in the **G_BeginCont** command.

G_Vertex/G_VertexLOG/G_VertexNopLOG (Format 1)

When data format is floating-point format

31	24 23	16 15	0
G_Vertex	Reserved	Reserved	
X.float			
Y.float			
Z.float			
R.float			
G.float			
B.float			
S.float			
T.float			

When data format is fixed-point format

31	24 23	16 15	0
G_Vertex	Reserved	Reserved	
X.fixed			
Y.fixed			
Z.fixed			
R.int		G.int	B.int
S.fixed			
T.fixed			

When data format is packed integer format

31	24 23	16 15	0
G_Vertex	Reserved	Reserved	
Y.int		X.int	
Z.fixed			
R.int		G.int	B.int
S.fixed			
T.fixed			

The **G_Vertex** command sets vertex parameters and processes and draws the geometry of the primitive specified by the **G_Begin*** command. Note the following when using this command:

- Required parameters depend on the setting of the **GMDR0** register. Proper values must be set as the mode values of the **MDR0** to **MDR4** registers to be finally reflected at drawing. That is, when “Z” comparison is made (ZC bit of MDR1 or MDR2 = 1), the Z bit of the GMDR0 register must be set to 1. When Gouraud shading is performed (SM bit of MDR2 = 1), the C bit of the GMDR0 register must be set to 1. When texture mapping is performed (TT bits of MDR2 = 10), the ST bit of the GMDR0 register must be set to 1.
- When the Z bit of the GMDR0 register is 0, input “Z” (Zoc) is treated as “0”.
- Use values normalized to 0 and 1 as texture coordinates (S, T).
- When the color RGB is floating-point format, use values normalized to 0 and 1 as the 8-bit color value. For the packed RGB, use the 8-bit color value directly.
- The GMDR1 register is valid only for line drawing; it is ignored in primitives other than line.
- The GMDR2 register matters only when a triangle (excluding a polygon) is drawn. At primitives other than triangle, set “0”.

G_Viewport (Format 1)

31	24 23	16 15	0
G_Viewport	Reserved	Reserved	
X_Scaling.float/fixe			
X_Offset.float/fixe			
Y_Scaling.float/fixe			
Y_Offset.float/fixe			

The **G_Viewport** command sets the “X,Y” scale/offset value used when normalized device coordinates (NDC) is transformed into device coordinates (DC).

G_DepthRange (Format 1)

31	24 23	16 15	0
G_DepthRange	Reserved	Reserved	
Z_Scaling.float/fixe			
Z_Offset.float/fixe			

The **G_DepthRange** command sets the “Z” scale/offset value used when an NDC is transformed into a DC.

G_LoadMatrix (Format 1)

31	24 23	16 15	0
G_LoadMatrix	Reserved	Reserved	
Matrix_a0.float/fixe			
Matrix_a1.float/fixe			
Matrix_a2.float/fixe			
Matrix_a3.float/fixe			
Matrix_b0.float/fixe			
Matrix_b1.float/fixe			
Matrix_b2.float/fixe			
Matrix_b3.float/fixe			
Matrix_c0.float/fixe			
Matrix_c1.float/fixe			
Matrix_c2.float/fixe			
Matrix_c3.float/fixe			
Matrix_d0.float/fixe			
Matrix_d1.float/fixe			
Matrix_d2.float/fixe			
Matrix_d3.float/fixe			

The **G_LoadMatrix** command sets the transformation matrix used when object coordinates (OC) is transformed into clip coordinates (CC).

G_ViewVolumeXYClip (Format 1)

31	24 23	16 15	0
G_ViewVolumeXYClip	Reserved	Reserved	
XMIN.float/fixed			
XMAX.float/fixed			
YMIN.float/fixed			
YMAX.float/fixed			

The **G_ViewVolumeXYClip** command sets the X,Y coordinates of the clip boundary value in view volume clipping.

G_ViewVolumeZClip (Format 1)

31	24 23	16 15	0
G_ViewVolumeZClip	Reserved	Reserved	
ZMIN.float/fixed			
ZMAX.float/fixed			

The **G_ViewVolumeZClip** command sets the Z coordinates of the clip boundary value in view volume clipping.

G_ViewVolumeWClip (Format 1)

31	24 23	16 15	0
G_ViewVolumeWClip	Reserved	Reserved	
WMIN.float/fixed			

The **G_ViewVolumeWClip** command sets the W coordinates of the clip boundary value in view volume clipping (minimum value only).

OverlapXYOfft (Format5)

31	24 23	16 15	0
OverlapXYOfft		Command	Reserved
Y Offset		X Offset	

The **OverlapXYOfft** command sets the XY offset of the shade primitive relative to the body primitive at shading drawing.

Shadow shape is same as Body.

Command:

Command	Code	Explanation
ShadowXY	0000_0000	ShadowXY command sets the XY offset of the shade primitive relative to the body primitive.
ShadowXYcomposition	0000_0001	ShadowXYcomposition command sets the XY offset of the shade synthetic primitive relative to the body primitive. It command synthesizes a shade from the relationship between the XY offset set using ShadowXY and this XY offset. This command is enabled for only lines.

OverlapZOfft (Format5)

31	24 23	16 15	0
OverlapZOfft		Command	Reserved
don't care		Z Offset	

Note: When MDR0 ZP = 1, only lower 8 bits are enabled.

31	24 23	16 15	0
OverlapZOfft		Packed_ONBS	Reserved
S_Z Offset	B_Z Offset	N_Z Offset	O_Z Offset

The **OverlapZOfft** command sets the Z offset of the shade primitive relative to the body primitive, sets the Z-offset of the edge primitive relative to the body primitive, and sets the Z offset of the interpolation primitive relative to the body primitive, with the top-left rule non-applicable in effect.

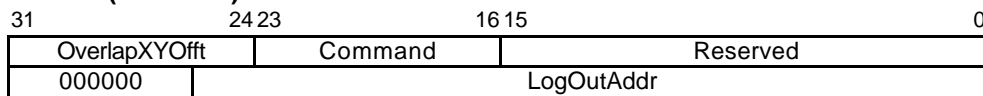
At this time, the following relationship must be satisfied when, for example, GREATER is specified for the Z value comparison mode:

- Body primitive > Top-left rule non-applicable interpolation primitive
- > Edge primitive > Shade primitive

Command:

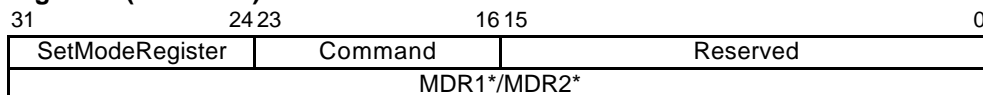
Command	Code	Explanation
Origin	0000_0000	Origin command sets the Z offset of the body primitive. When drawing one primitive below the other primitive (for example, when drawing a solid intersection), this Z offset is changed. When drawing an ordinary intersection, set the same Z offset as other primitives.
NonTopLeft	0000_0001	NonTopLeft command sets the Z offset of the interpolation primitive, with the top-left non-applicable.
Border	0000_0010	Border command sets the Z offset of the edge primitive.
Shadow	0000_0011	Shadow command sets the Z offset of the shade primitive.
Packed_ONBS	0000_0111	Packed_ONBS command sets the above four types of Z offsets.

DC_LogOutAddr (Format5)



The **DC_LogOutAddr** command sets the starting address of the log output destination of the device coordinates.

SetModeRegister (Format5)

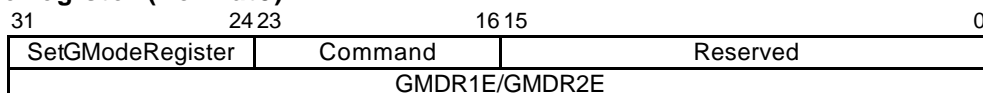


The **SetModeRegister** command sets the mode register for shade primitive, for edge primitive, and for top-left non-applicable primitive. At drawing of these primitives, also set the mode register (MDR1/MDR2) for the body primitive, using this packet.

Command:

Command	Code	Explanation
MDR1	0000_0000	MDR1 command sets MDR1 for the body primitive.
MDR1S	0000_0010	MDR1S command sets MDR1 for the shade primitive.
MDR1B	0000_0100	MDR1B command sets MDR1 for the edge primitive.
MDR2	0000_0001	MDR2 command sets MDR2 for the body primitive.
MDR2S	0000_0011	MDR2S command sets MDR2 for the shade primitive.
MDR2LT	0000_0111	MDR2LT command sets MDR2 for the top-left non-applicable primitive.

SetGModeRegister (Format5)

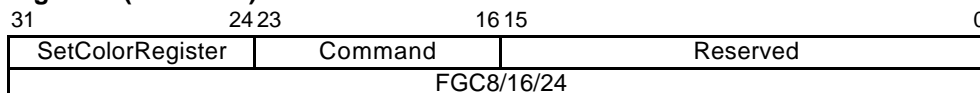


The **SetGModeRegister** command sets the geometry extended mode register.

Command:

Command	Code	Explanation
GMDR1E	0001_0000	GMDR1E command sets GMDR1E and at the same time, updates GMDR1.
GMDR2E	0010_0000	GMDR2E command sets GMDR2E and at the same time, updates GMDR2.

SetColorRegister (Format5)

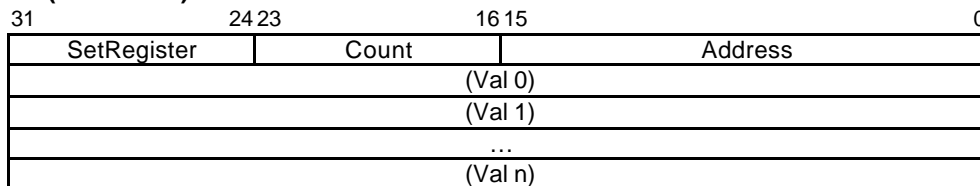


The **SetColorRegister** command sets the foreground color and background color of the body primitive, shade primitive, and edge primitive.

Commands:

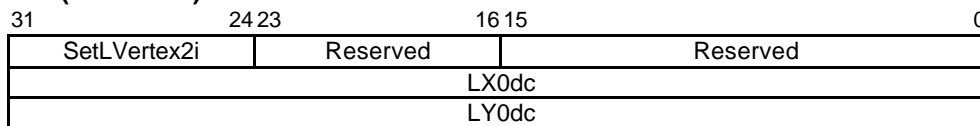
Command	Code	Explanation
ForeColor	0000_0000	ForeColor command sets the foreground color for the body primitive.
BackColor	0000_0001	BackColor command sets the background color for the body primitive.
ForeColorShadow	0000_0010	ForeColorShadow command sets the foreground color for the shade primitive.
BackColorShadow	0000_0011	BackColorShadow command sets the background color for the shade primitive.
ForeColorBorder	0000_0100	ForeColorBorder command sets the foreground color for the edge primitive.
BackColorBorder	0000_0101	BackColorBorder command sets the background color for the edge primitive.

SetRegister (Format 2)



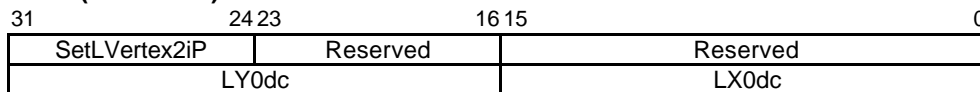
The **SetRegister** command is upper compatible with CREMSON **SetRegister**. It can specify the address of a register in the geometry engine.

SetLVertex2i (Format 1)



The **SetLVertex2i** command issues the **SetRegister_LX0dc/LY0dc** command (MB86290A command to set starting vertex at line drawing) in the geometry FIFO interface. This performs processing faster than when the **SetRegister_LX0dc/LY0dc** command is input directly to the geometry FIFO.

SetLVertex2iP (Format 1)



The **SetLVertex2iP** command supports packed XY of SetLVertex21.

8.9 Rendering Command

8.9.1 Command list

The following table lists CORAL rendering commands and their command codes.

Type	Command	Description
Nop	—	No operation
Interrupt	—	Interrupt request to host CPU
Sync	—	Synchronization with events
SetRegister	—	Sets data to register
SetVertex2i	Normal	Sets data to high-speed 2DTriangle vertex register
	PolygonBegin	Initializes border rectangle calculation of multiple vertices random shape
Draw	PolygonEnd	Clears polygon flag after drawing polygon
	Flush_FB/Z	Flushes drawing pipelines
DrawPixel	Pixel	Draws point
DrawPixelZ	PixelZ	Draws point with Z
DrawLine	Xvector	Draws line (principal axis X)
	Yvector	Draws line (principal axis Y)
	AntiXvector	Draws line with anti-alias option (principal axis X)
	AntiYvector	Draws line with anti-alias option (principal axis Y)
DrawLine2i DrawLine2iP	ZeroVector	Draws high-speed 2DLine (with vertex 0 as starting point)
	OneVector	Draws high-speed 2DLine (with vertex 1 as starting point)
DrawTrap	TrapRight	Draws right triangle
	TrapLeft	Draws left triangle
DrawVertex2i DrawVertex2iP	TriangleFan	Draws high-speed 2DTriangle
	FlagTriangleFan	Draws high-speed 2DTriangle for multiple vertices random shape
DrawRectP	BlitFill	Draws rectangle with single color
	ClearPolyFlag	Clears polygon flag buffer
DrawBitmapP	BlitDraw	Draws Blit
	Bitmap	Draws binary bit map (character)
BlitCopyP BlitCopy- AlternateP	TopLeft	Blit transfer from top left coordinates
	TopRight	Blit transfer from top right coordinates
	BottomLeft	Blit transfer from bottom left coordinates
	BottomRight	Blit transfer from bottom right coordinates
LoadTextureP	LoadTexture	Loads texture pattern
	LoadTILE	Loads tile pattern
BlitTextureP	LoadTexture	Loads texture pattern from local memory
	LoadTILE	Loads tile pattern from local memory
BlitCopyAlt- AlphaBlendP	—	Alpha blending is supported (see the alpha map). BlitCopyAlternateP

Type Code Table

Type	Code
DrawPixel	0000_0000
DrawPixelZ	0000_0001
DrawLine	0000_0010
DrawLine2i	0000_0011
DrawLine2iP	0000_0100
DrawTrap	0000_0101
DrawVertex2i	0000_0110
DrawVertex2iP	0000_0111
DrawRectP	0000_1001
DrawBitmapP	0000_1011
BitCopyP	0000_1101
BitCopyAlternateP	0000_1111
LoadTextureP	0001_0001
BlitTextureP	0001_0011
BlitCopyAltAlphaBlendP	0001_1111
SetVertex2i	0111_0000
SetVertex2iP	0111_0001
Draw	1111_0000
SetRegister	1111_0001
Sync	1111_1100
Interrupt	1111_1101
Nop	1111_1111

Command Code Table (1)

Command	Code
Pixel	000_00000
PixelZ	000_00001
Xvector	001_00000
Yvector	001_00001
XvectorNoEnd	001_00010
YvectorNoEnd	001_00011
XvectorBlpClear	001_00100
YvectorBlpClear	001_00101
XvectorNoEndBlpClear	001_00110
YvectorNoEndBlpClear	001_00111
AntiXvector	001_01000
AntiYvector	001_01001
AntiXvectorNoEnd	001_01010
AntiYvectorNoEnd	001_01011
AntiXvectorBlpClear	001_01100
AntiYvectorBlpClear	001_01101
AntiXvectorNoEndBlpClear	001_01110
AntiYvectorNoEndBlpClear	001_01111
ZeroVector	001_10000
Onevector	001_10001
ZeroVectorNoEnd	001_10010
OnevectorNoEnd	001_10011
ZeroVectorBlpClear	001_10100
OnevectorBlpClear	001_10101
ZeroVectorNoEndBlpClear	001_10110
OnevectorNoEndBlpClear	001_10111
AntiZeroVector	001_11000
AntiOnevector	001_11001
AntiZeroVectorNoEnd	001_11010
AntiOnevectorNoEnd	001_11011
AntiZeroVectorBlpClear	001_11100
AntiOnevectorBlpClear	001_11101
AntiZeroVectorNoEndBlpClear	001_11110
AntiOnevectorNoEndBlpClear	001_11111

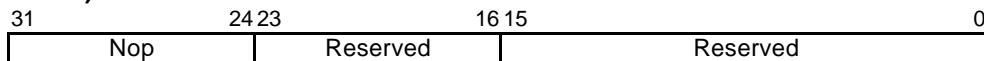
Command Code Table (2)

Command	Code
BlitFill	010_00001
BlitDraw	010_00010
Bitmap	010_00011
TopLeft	010_00100
TopRight	010_00101
BottomLeft	010_00110
BottomRight	010_00111
LoadTexture	010_01000
LoadTILE	010_01001
TrapRight	011_00000
TrapLeft	011_00001
TriangleFan	011_00010
FlagTriangleFan	011_00011
Flush_FB	110_00001
Flush_Z	110_00010
PolygonBegin	111_00000
PolygonEnd	111_00001
ClearPolyFlag	111_00010
Normal	111_11111

8.9.2 Details of rendering commands

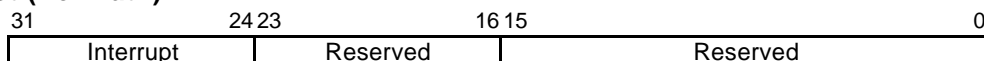
All parameters belonging to their command are stored in relevant registers. The definition of each parameter is explained in the section of each command.

Nop (Format1)



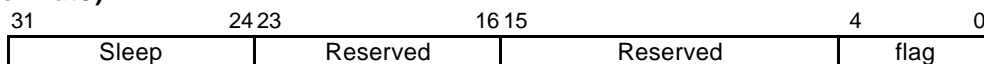
No operation

Interrupt (Format1)



The **Interrupt** command generates interrupt request to host CPU.

Sync (Format9)



The **Sync** command suspends all subsequent display list processing until event set in flag detected.

Flag:

Bit number	4	3	2	1	0
Bit field name	Reserved	Reserved	Reserved	Reserved	VBLANK

- Bit 0 VBLANK
- VBLANK Synchronization
- 0 No operation
- 1 Wait for VSYNC detection

SetRegister (Format2)

31	24 23	16 15	0
SetRegister	Count	Address	
(Val 0)			
(Val 1)			
...			
(Val n)			

The **SetRegister** command sets data to sequential registers.

Count: Data word count (in double-word unit)

Address: Register address

Set the value of the address for **SetRegister** given in the register list.
 When transferring two or more data, set the starting register address.

SetVertex2i (Format8)

31	24 23	16 15	4 3 2 1 0
SetVertex2i	Command	Reserved	flag vertex
Xdc			
Ydc			

The **SetVertex2i** command sets vertices data for high-speed 2DLine or high-speed 2DTriangle to registers.

Commands:

- Normal Sets vertex data (X, Y).
- PolygonBegin Starts calculation of circumscribed rectangle for random shape to be drawn. Calculate vertices of rectangle including all vertices of random shape defined between **PolygonBegin** and **PolygonEnd**.

Flag: Not used

SetVertex2iP (Format8)

31	24 23	16 15	4 3 2 1 0
SetVertex2i	Command	Reserved	flag vertex
Ydc		Xdc	

The **SetVertex2iP** command sets vertices data for high-speed 2DLine or high-speed 2DTriangle to registers.

Only the integer (packed format) can be used to specify these vertices.

Commands:

- Normal Sets vertices data.
- PolygonBegin Starts calculation of circumscribed rectangle of random shape to be drawn. Calculate vertices of rectangle including all vertices of random shape defined between **PolygonBegin** and **PolygonEnd**.

Flag: Not used

Draw (Format5)

31	24 23	16 15	0
Draw	Command	Reserved	

The **Draw** command executes drawing command. All parameters required for drawing command execution must be set at their appropriate registers.

Commands:

- PolygonEnd Draws polygon end.
 Fills random shape with color according to flags generated by **FlagTriangleFan** command and information of circumscribed rectangle generated by **PolygonBegin** command.
- Flush_FB Flashes drawing data in the drawing pipeline into the graphics memory. Place this command at the end of the display list.
- Flush_Z Flashes Z value data in the drawing pipeline into the graphics memory. When using the Z buffer, place this command together with the **Flush_FB** command at the end of the display list.

DrawPixel (Format5)

31	24 23	16 15	0
DeawPixel	Command	Reserved	
PXs			
PYs			

The **DrawPixel** command draws pixel.

Command:

- Pixel Draws pixel without Z value.

DrawPixelZ (Format5)

31	24 23	16 15	0
DeawPixel	Command	Reserved	
PXs			
PYs			
PZs			

The **DrawPixelZ** command draws pixel with Z value.

Command:

- PixelZ Draws pixel with Z value.

DrawLine (Format5)

31	24 23	16 15	0
DrawLine	Command	Reserved	
LPN			
LXs			
LXde			
LYs			
LYde			

The **DrawLine** command draws line. It starts drawing after setting all parameters at line draw registers.

Commands:

Xvector	Draws line (principal axis X).
Yvector	Draws line (principal axis Y).
XvectorNoEnd	Draws line (principal axis X, and without end point drawing).
YvectorNoEnd	Draws line (principal axis Y, and without end point drawing).
XvectorBlpClear	Draws line (principal axis X, and prior to drawing, broken line pattern reference position cleared).
YvectorBlpClear	Draws line (principal axis Y, and prior to drawing, broken line pattern reference position cleared).
XvectorNoEndBlpClear	Draws line (principal axis X, without end point drawing and prior to drawing, broken line pattern reference position cleared).
YvectorNoEndBlpClear	Draws line (principal axis Y, without end point drawing and prior to drawing, broken line pattern reference position cleared).
AntiXvector	Draws anti-alias line (principal axis X).
AntiYvector	Draws anti-alias line (principal axis Y).
AntiXvectorNoEnd	Draws anti-alias line (principal axis X, and without end point drawing).
AntiYvectorNoEnd	Draws anti-alias line (principal axis Y, and without end point drawing).
AntiXvectorBlpClear	Draws anti-alias line (principal axis X and prior to drawing, broken line pattern reference position cleared).
AntiYvectorBlpClear	Draws anti-alias line (principal axis Y and prior to drawing, broken line pattern reference position cleared).
AntiXvectorNoEndBlpClear	Draws anti-alias line (principal axis X, without end point drawing and prior to drawing, broken line pattern reference position cleared).
AntiYvectorNoEndBlpClear	Draws anti-alias line (principal axis Y, without end point drawing and prior to drawing, broken line pattern reference position cleared).

DrawLine2i (Format7)

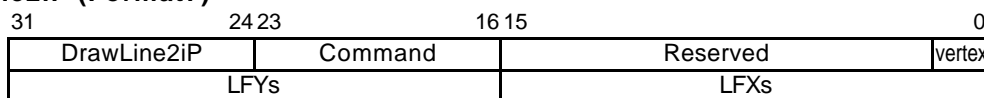
31	24 23	16 15	0
DrawLine2i	Command	Reserved	vertex
LFXs		0	
LFYs		0	

The **DrawLine2i** command draws high-speed 2DLine. It starts drawing after setting parameters at the high-speed 2DLine drawing registers. Integer data can only be used for coordinates.

Commands:

ZeroVector	Draws line from vertex 0 to vertex 1.
OneVector	Draws line from vertex 1 to vertex 0.
ZeroVectorNoEnd	Draws line from vertex 0 to vertex 1 (without drawing end point).
OneVectorNoEnd	Draws line from vertex 1 to vertex 0 (without drawing end point).
ZeroVectorBlpClear	Draws line from vertex 0 to vertex 1 (principal axis X, and prior to drawing, broken line pattern reference position cleared).
OneVectorBlpClear	Draws line from vertex 1 to vertex 0 (principal axis Y, and prior to drawing, broken line pattern reference position cleared).
ZeroVectorNoEndBlpClear	Draws line from vertex 0 to vertex 1 (principal axis X, without end point drawing and prior to drawing, broken line pattern reference position cleared).
OneVectorNoEndBlpClear	Draws line from vertex 1 to vertex 0 (principal axis Y, without end point drawing and prior to drawing, broken line pattern reference position cleared).
AntiZeroVector	Draws anti-alias line from vertex 0 to vertex 1.
AntiOneVector	Draws anti-alias line from vertex 1 to vertex 0.
AntiZeroVectorNoEnd	Draws anti-alias line from vertex 0 to vertex 1 (without end point).
AntiOneVectorNoEnd	Draws anti-alias line from vertex 1 to vertex 0 (without end point).
AntiZeroVectorBlpClear	Draws anti-alias line from vertex 0 to vertex 1 (principal axis X and prior to drawing, broken line pattern reference position cleared).
AntiOneVectorBlpClear	Draws anti-alias line from vertex 1 to vertex 0 (principal axis Y and prior to drawing, broken line pattern reference position cleared).
AntiZeroVectorNoEndBlpClear	Draws anti-alias line from vertex 0 to vertex 1 (principal axis X, without end point drawing and prior to drawing, broken line pattern reference position cleared).
AntiOneVectorNoEndBlpClear	Draws anti-alias line from vertex 1 to vertex 0 (principal axis Y, without end point drawing and prior to drawing, broken line pattern reference position cleared).

DrawLine2iP (Format7)



The **DrawLine2iP** command draws high-speed 2DLine. It starts drawing after setting parameters at high-speed 2DLine drawing registers. Only packed integer data can be used for coordinates.

Commands:

- ZeroVector Draws line from vertex 0 to vertex 1.
- OneVector Draws line from vertex 1 to vertex 0.
- ZeroVectorNoEnd Draws line from vertex 0 to vertex 1 (without drawing end point).
- OneVectorNoEnd Draws line from vertex 1 to vertex 0 (without drawing end point).
- ZeroVectorBlpClear Draws line from vertex 0 to vertex 1 (principal axis X, and prior to drawing, broken line pattern reference position cleared).
- OneVectorBlpClear Draws line from vertex 1 to vertex 0 (principal axis Y, and prior to drawing, broken line pattern reference position cleared).
- ZeroVectorNoEndBlpClear Draws line from vertex 0 to vertex 1 (principal axis X, without end point drawing and prior to drawing, broken line pattern reference position cleared).
- OneVectorNoEndBlpClear Draws line from vertex 1 to vertex 0 (principal axis Y, without end point drawing and prior to drawing, broken line pattern reference position cleared).
- AntiZeroVector Draws anti-alias line from vertex 0 to vertex 1.
- AntiOneVector Draws anti-alias line from vertex 1 to vertex 0.
- AntiZeroVectorNoEnd Draws anti-alias line from vertex 0 to vertex 1 (without end point).
- AntiOneVectorNoEnd Draws anti-alias line from vertex 1 to vertex 0 (without end point).
- AntiZeroVectorBlpClear Draws anti-alias line from vertex 0 to vertex 1 (principal axis X and prior to drawing, broken line pattern reference position cleared).
- AntiOneVectorBlpClear Draws anti-alias line from vertex 1 to vertex 0 (principal axis Y and prior to drawing, broken line pattern reference position cleared).
- AntiZeroVectorNoEndBlpClear Draws anti-alias line from vertex 0 to vertex 1 (principal axis X, without end point drawing and prior to drawing, broken line pattern reference position cleared).
- AntiOneVectorNoEndBlpClear Draws anti-alias line from vertex 1 to vertex 0 (principal axis Y, without end point drawing and prior to drawing, broken line pattern reference position cleared).

DrawTrap (Format5)

31	24 23	16 15	0
DrawTrap	Command	Reserved	
Ys		0	
Xs			
DXdy			
XUs			
DXUdy			
XLs			
DXLdy			
USN		0	
LSN		0	

The **DrawTrap** command draws Triangle. It starts drawing after setting parameters at the Triangle Drawing registers (coordinates).

Commands:

- TrapRight Draws right triangle.
- TrapLeft Draws left triangle.

DrawVertex2i (Format7)

31	24 23	16 15	0
DrawVertex2i	Command	Reserved	vertex
Xdc		0	
Ydc		0	

The **DrawVertex2i** command draws high-speed 2DTriangle

It starts triangle drawing after setting parameters at 2DTriangle Drawing registers.

Commands:

- TriangleFan Draws high-speed 2DTriangle.
- FlagTriangleFan Draws high-speed 2DTriangle for polygon drawing in the flag buffer.

DrawVertex2iP (Format7)

31	24 23	16 15	0
DrawVertex2iP	Command	Reserved	vertex
Ydc		Xdc	

The **DrawVertex2iP** command draws high-speed 2DTriangle

It starts drawing after setting parameters at 2DTriangle Drawing registers

Only the packed integer format can be used for vertex coordinates.

Commands:

- TriangleFan Draw high-speed 2DTriangle.
- FlagTriangleFan Draws high-speed 2DTriangle for polygon drawing in the flag buffer.

DrawRectP (Format5)

31	24 23	16 15	0
DrawRectP	Command	Reserved	
RYs		RXs	
RsizeY		RsizeX	

The **DrawRectP** command fills rectangle. The rectangle is filled with the current color after setting parameters at the rectangle registers.

Commands:

- BlitFill Fills rectangle with current color (single).
- ClearPolyFlag Fills **polygon drawing** flag buffer area with 0. The size of drawing frame is defined in RsizeX,Y.

DrawBitmapP (Format6)

31	24 23	16 15	0
DrawBitmapP	Command	Count	
RYs		RXs	
RsizeY		RsizeX	
(Pattern 0)			
(Pattern 1)			
...			
(Pattern n)			

The **DrawBitmapP** command draws rectangle patterns.

Commands:

- BlitDraw Draws rectangle of 8 bits/pixel or 16 bits/pixel.
- DrawBitmap Draws binary bitmap character pattern. Bit 0 is drawn in transparent or background color, and bit 1 is drawn in foreground color.

BltCopyP (Format5)

31	24 23	16 15	0
BltCopyP		Command	Reserved
SRYs		SRXs	
DRYs		DRXs	
BsizeY		BsizeX	

The **BltCopyP** command copies rectangle pattern within drawing frame.

Commands:

- TopLeft Starts BitBlt transfer from top left coordinates.
- TopRight Starts BitBlt transfer from top right coordinates.
- BottomLeft Starts BitBlt transfer from bottom left coordinates.
- BottomRight Starts BitBlt transfer from bottom right coordinates.

BltCopyAlternateP (Format5)

31	24 23	16 15	0
BltCopyAlternateP		Command	Reserved
SADDR			
SStride			
SRYs		SRXs	
DADDR			
DStride			
DRYs		DRXs	
BsizeY		BsizeX	

The **BltCopyAlternateP** command copies rectangle between two separate drawing frames.

Command:

- TopLeft Starts BitBlt transfer from top left coordinates.

LoadTextureP (Format6)

31	24 23	16 15	0
LoadTextureP	Command	Count	
(Pattern 0)			
(Pattern 1)			
...			
(Pattern n)			

The **LoadTextureP** command loads texture or tile pattern into internal texture buffer. It stores a texture pattern into the texture buffer based on the current pattern size (TXS/TIS) and offset address (XBO).

Commands:

- LoadTexture Stores texture pattern into internal texture buffer.
- LoadTile Stores tile pattern into internal texture buffer.

BlitTextureP (Format5)

31	24 23	16 15	0
BlitTextureP	Command	Reserved	
SrcADDR			
SrcStride			
SrcRectYs		SrcRectXs	
BysizeY		BysizeX	
DestOffset			

The **BlitTextureP** command loads texture or tile pattern into texture buffer from Graphics Memory. It stores a texture pattern into the texture buffer current pattern size (TXS/TIS) and offset address (XBO).

For DestOffset, specify the word-aligned byte address (16 bits) (bit 0 is always 0).

Commands:

- LoadTexture Stores texture pattern into internal texture buffer.
- LoadTile Stores tile pattern into internal texture buffer.

BltCopyAltAlphaBlendP (Format5)

31	24 23	16 15	0
BltCopyAlternateP		Command	Reserved
SADDR			
SStride			
SRyS		SRxS	
BlendStride			
BlendRyS		BlendRxS	
DRyS		DRxS	
BRsizeY		BRsizeX	

The **BltCopyAltAlphaBlendP** command performs alpha blending for the source (specified using SADDR, SStride, SRxS, SRyS) and the alpha map (specified using ABR (alpha base address), BlendStride, BlendRxS, BlendRyS) and then copies the result of the alpha blending to the destination (specified using FBR (frame buffer base address), XRES (X resolution), DRxS, and DRyS).

Command:

Reserved Set 0000_0000 to maintain future compatibility.

9. PCI Configuration Registers

For the Coral-LP, the PCI Configuration registers are divided into two subgroups:

1. Device specific registers (eg. Vendor ID). These should not normally be modified by the user. These registers can be loaded from EEPROM.
2. Application specific registers (eg. PCI Command Register). These can be modified by the user and must be programmed using PCI Configuration cycles as they can not be loaded from the EEPROM. However an EEPROM loadable 32 bit register is available for the user.

For the EEPROM loadable configuration registers, the Coral-LP uses Byte Addresses which are used on the PCI bus. However, when in 16 bit data mode the EEPROM requires word addresses. The EEPROM preloaded using the 16 bit word addresses shown in the below.

9.1 PCI Configuration register list

31:24	23:16	15:8	7:0	PCI Byte Address	EEPROM Word Address	
DEVICE ID		VENDER ID		00	01	00
STATUS		COMMND		04	-	-
CLASS CODE			REVISION ID	08	05	04
BIST	HEADER TYPE	MASTER LATENCY TIMER	CACHELINE SIZE	0C	07	-
BASE ADDRESS REGISTER0				10	-	-
RESERVED				14	-	-
RESERVED				18	-	-
RESERVED				1C	-	-
RESERVED	RESERVED	RESERVED	RESERVED	20	-	-
RESERVED	RESERVED	RESERVED	RESERVED	24	-	-
RESERVED	RESERVED	RESERVED	RESERVED	28	-	-
SUBSYSTEM ID		SUBSYSTEM VENDOR ID		2C	17	16
RESERVED	RESERVED	RESERVED	RESERVED	30	-	-
RESERVED				34	-	-
RESERVED				38	-	-
MAX LAT	MIN GNT	INTERRUPT PIN	INTERRUPT LINE	3C	1F	1E
RESERVED		RETRY TIME OUT	TRDY TIME OUT	40	-	-
USER REGISTER				44	23	22

9.2 PCI Configuration Registers Descriptions

In the following sections, the following abbreviations in the “Type” field apply:

RO: Register is Read-only, not loadable via EEPROM.

ER: Register is Read-only, loadable via EEPROM.

RW: Register is Read/Writable using PCI configuration transactions; not loadable via EEPROM.

For further information about these fields, please refer to the PCI Specification v2.1, Section6.

Vendor ID Register

Bit	Type	Reset Value	Description
15-0	ER	10CFh	Identifies the vendor of the IC. The Reset Value represents the vendor ID of Fujitsu Limited.

Device ID Register

Bit	Type	Reset Value	Description
15-0	ER	2019h	ID of Fujitsu Limited PCI device (Coral device ID).

PCI Command Register

Bit	Type	Reset Value	Description
15-10	-	0	Reserved
9	RW	0	Fast Back-to-Back Master Enable. This is not supported by the Coral-LP and should be set to '0'
8	RW	0	System Error Enable. This is supported by the Coral-LP.
7	-	0	Reserved
6	RW	0	Parity Error Enable. This is supported by the Coral-LP.
5	-	0	Reserved
4	RW	0	Memory Write and Invalidate Enable. This feature is not supported in master mode, but in slave mode the Coral-LP will convert any Memory Write and Invalidate commands to Memory Write commands. This bit should be set to '0'.
3	-	0	Reserved
2	RW	0	Bus Master Enable. This bit must be set to '1' by the user for correct operation.
1	RW	0	Memory Access Enable. This bit must be set to '1' by the user for correct operation.
0	RW	0	I/O Access Enable. The Coral-LP does not do I/O Accesses.

PCI Status Register

Bit	Type	Reset Value	Description
15	Status	0	Parity Error has been detected by the Coral-LP.
14	Status	0	System Error has been signaled by the Coral-LP.
13	Status	0	Received Master Abort. Set to '1' when a PCI Master terminates a user to the Coral-LP transaction with Master Abort.
12	Status	0	Received Target Abort. Set to '1' when the Coral-LP has initiated a transaction that has been terminated by Target Abort.
11	Status	0	Target Abort has been signaled by the Coral-LP.
10-9	RO	01	Device Select Timing. Indicates the timing of the DEVSEL# signal when the Coral-LP responds as a PCI Target.
8	Status	0	Data Parity Error detected.
7	RO	1	Fast Back-to-Back Capable Status Flag.
6	-	0	Reserved
5	RO	0	66MHz Capable Flag.
4-0	-	-	Reserved

Revision ID Register

Bit	Type	Reset Value	Description
7-0	ER	01h	Revision ID of the Coral-LP.

PCI Class Code Register

Bit	Type	Reset Value	Description
23-0	ER	038000h	Class Code of the Coral-LP. The Reset value means "Display Controller" of non-specific type.

Casheline Size Register

Bit	Type	Reset Value	Description
7-0	RW	0	Casheline Size.

Master Latency Timer Register

Bit	Type	Reset Value	Description
7-2	RW	0	Master Latency Timer Count Value. This register sets the minimum number of PCI clocks the Coral-LP is guaranteed access to the PCI bus. After the count has expired, the Coral-LP releases the PCI bus as soon as another PCI Master is granted the bus by the bus arbiter.
1-0	-	0	Reserved

Header Type Register

Bit	Type	Reset Value	Description
7-0	ER	0	As defined in the PCI Specification, Section 6.2.1.

BIST Register

Bit	Type	Reset Value	Description
7-0	-	0	This field is not used by the Coral-LP, so it is hard-wired to zero.

Memory Base Address Register

Bit	Type	Reset Value	Description
31	RW	0	Memory Base Address. This determines the address of the first Coral-LP non PCI register. The Coral-LP will respond as a Target to accesses in the address range: (memory_base_address) to (memory_base_address + 3FF0000H)

Subsystem Vendor ID Register

Bit	Type	Reset Value	Description
15-0	ER	0	Subsystem Vendor ID. This register can be loaded from EEPROM.

Subsystem ID Register

Bit	Type	Reset Value	Description
15-0	ER	0	Subsystem ID. This register can be loaded from EEPROM

Interrupt Line Register

Bit	Type	Reset Value	Description
7-0	RW	0	Interrupt Line Register. Used to convey interrupt line routing information.

Interrupt Pin Register

Bit	Type	Reset Value	Description
7-0	RW	1	Identifies which PCI Interrupt pin the Coral-LP is connected to. The default value of this indicate that the Coral-LP is connected to the INTA line, which is the usual setting for this field.

Min Grant Register

Bit	Type	Reset Value	Description
7-0	ER	0	Identifies the maximum length of PCI burst period the Coral-LP needs. This should be left at the reset setting.

Max Latency Register

Bit	Type	Reset Value	Description
7-0	ER	0	Specifies how often the Coral-LP needs to access the bus. This should be left at the reset settings.

TRDY Timeout Value Register

Bit	Type	Reset Value	Description
7-0	RW	80h	Sets the number of PCI clocks the Coral-LP will wait for TRDY, when acting as a Bus Master.

Retry Timeout Value Register

Bit	Type	Reset Value	Description
7-0	RW	80h	Sets the number of retries of the Coral-LP will perform when acting as a Bus Master.

User Programmable Register

Bit	Type	Reset Value	Description
31-0	ER	0	User programmable register

10 Local Memory Registers

10.1 Local memory register list

10.1.1 Host interface register list

Base = HostBase

Offset	31	30	29	28	27	26	25	24	23	22	21	20	19	18	17	16	15	14	13	12	11	10	9	8	7	6	5	4	3	2	1	0
001C	MRO																															
																																MRO
0020	IST																															
	IST								IST								IST								IST							
0024	IMASK																															
	IMASK								IMASK								IMASK								IMASK							
002C																	SRST															
																																SRST
0038	CCF																															
																	CGE	COT														
005C																	RSW															
																																RSW
0070	IP																															
																																IP
0074	BTV																															
																	BTV															
0078	FTV																															
																	FTV															
007C	OFU																															
																																OFU
00A0	FRST																															
																																FRST
00A4	SRBS																															
																																SRBS

00A8	IOM																																													
	GIM																GD						SER	RGB	BEE	SBE	TCE	BCE	EEE																	
00AC	GD																																													
	GWE																GD																													
00B0	SIC																																													
																	CKP	CKG	CKD													DOE													S	S
00B4	SID																																													
																	FSL	FS	TLS						RWD																					
00F0	CID																																													
																	CN						VER																							
8000	BSA																																													
	SA																																													
8004	BDA																																													
	DA																																													
8008	BCR																																													
	STRT	NDA	NSA	BSIZE												TSIZE																														
800C	BSR																																													
																	XCOR	IMODE	TCM	BCM	EXTEN	MODE																								
8010	BER																																													
																	ABORT													EXTST	BEN															
8014	BST																																													
	TC	BC													TCNT																															
8040	BCB																																													
... 805C	RWDATA * 8																																													

10.1.2 I²C interface register list

Base = I²CBase

Offset	31	30	29	28	27	26	25	24	23	22	21	20	19	18	17	16	15	14	13	12	11	10	9	8	7	6	5	4	3	2	1	0
000	Reserved																								BSR							
004	Reserved																								BCR							
008	Reserved																								CCR							
00C	Reserved																								ADR							
010	Reserved																								DAR							
014	Access Prohibition																															
018	Access Prohibition																															
01C	Access Prohibition																															

10.1.3 Graphics memory interface register list

Base = HostBase

Offset	31	30	29	28	27	26	25	24	23	22	21	20	19	18	17	16	15	14	13	12	11	10	9	8	7	6	5	4	3	2	1	0
FFFC	DTC																															
		TWR		ID		TTRD		TRC		TRP		TRAS		TRCD		LOWD		RTS		SAW		ASW		CL								

10.1.4 Display controller register list

Base = DisplayBase

Offset	31	30	29	28	27	26	25	24	23	22	21	20	19	18	17	16	15	14	13	12	11	10	9	8	7	6	5	4	3	2	1	0			
000	DCE (Display Controller Enable)														DCM (Display Control Mode)																				
	DEN													L46E	L23E	L1E	L0E	OXS	DCS									SC	EEO	EDE	EOF	EOD	SF	ESY	SYNC
100	DCEE (Display Controller Extend Enable)																																		
	DEN													L5E	L4E	L3E	L2E	L1E	L0E	OXS	DCS							SC	EEO	EDE	EOF	EOD	SF	ESY	SYNC
004	HTP (H Total Pixels)																																		
008	HDB (H Display Boundary)														HDP (H Display Period)																				
00C	VSW							HSW							HSP (H Sync pulse Position)																				
010	VTR (V Total Rasters)																																		
014	VDP (V Display Period)														VSP (V Sync pulse Position)																				
018	WY (Window Y)														WX (Window X)																				
01C	WH (Window Height)														WW (Window Width)																				
020	LOM (L0 Mode)																																		
	LOC																																		
024	LOOA (L0 Origin Address)																																		
028	L0DA (L0 Display Address)																																		
02C	L0DY (L0 Display Y)														L0DX (L0 Display X)																				
110	LOEM (L0 Extend Mode)																																		
	LOEC														L0PB																				LOWP
114	LOWY (L0 Window Y)														LOWX (L0 Window X)																				
118	LOWH (L0 Window Height)														LOWW (L0 Window Width)																				
030	L1M (L1 Mode)																																		
	L1C	L1YC	L1CS	L1M																															
034	L1DA (L1 Display Address)																																		
120	L1EM (L1 Extend Mode)																																		
	L1EC														L1PB																				
040	L2M (L2 Mode)																																		
	L2C	L2FLP																																	
044	L2OA0 (L2 Origin Address 0)																																		
048	L2DA0 (L2 Display Address 0)																																		
04C	L2OA1 (L2 Origin Address 1)																																		
050	L2DA1 (L2 Display Address 1)																																		
054	L2DY (L2 Display Y)														L2DX (L2 Display X)																				
130	L2EM (L2 Extend Mode)																																		
	L2EC														L2PB																				L2OM
134	L2WY (L2 Window Y)														L2WX (L2 Window X)																				
138	L2WH (L2 Window Height)														L2WW (L2 Window Width)																				

Offset	31	30	29	28	27	26	25	24	23	22	21	20	19	18	17	16	15	14	13	12	11	10	9	8	7	6	5	4	3	2	1	0
058	L3M (L3 Mode)																															
	L3C	L3FLP		L3S (L3 Stride)												L3H (L3 Height)																
05C	L3OA0 (L3 Origin Address 0)																															
060	L3DA0 (L3 Display Address 0)																															
064	L3OA1 (L3 Origin Address 1)																															
068	L3DA1 (L3 Display Address 1)																															
06C	L3DY (L3 Display Y)												L3DX (L3 Display X)																			
140	L3EM (L3 Extend Mode)																															
	L3EC	L3PB												L3OM	L3WP																	
144	L3WY (L3 Window Y)												L3WX (L3 Window X)																			
148	L3WH (L3 Window Height)												L3WW (L3 Window Width)																			
070	L4M (L4 Mode)																															
	L4C	L4FLP		L4S (L4 Stride)												L4H (L4 Height)																
074	L4OA0 (L4 Origin Address 0)																															
078	L4DA0 (L4 Display Address 0)																															
07C	L4OA1 (L4 Origin Address 1)																															
080	L4DA1 (L4 Display Address 1)																															
084	L4DY (L4 Display Y)												L4DX (L4 Display X)																			
150	L4EM (L4 Extend Mode)																															
	L4EC	L4PB												L4OM	L4WP																	
154	L4WY (L4 Window Y)												L4WX (L4 Window X)																			
158	L4WH (L4 Window Height)												L4WW (L4 Window Width)																			
088	L5M (L5 Mode)																															
	L5C	L5FLP		L5S (L5 Stride)												L5H (L5 Height)																
08C	L5OA0 (L5 Origin Address 0)																															
090	L5DA0 (L5 Display Address 0)																															
094	L5OA1 (L5 Origin Address 1)																															
098	L5DA1 (L5 Display Address 1)																															
09C	L5DY (L5 Display Y)												L5X (L5 Display X)																			
110	L5EM (L5 Extend Mode)																															
	L5EC	L5PB												L5OM	L5WP																	
164	L5WY (L5 Window Y)												L5WX (L5 Window X)																			
168	L5WH (L5 Window Height)												L5WW (L5 Window Width)																			

Offset	31	30	29	28	27	26	25	24	23	22	21	20	19	18	17	16	15	14	13	12	11	10	9	8	7	6	5	4	3	2	1	0
0A0	CSIZE				CPM				CUTC (Cursor Transparent Control)																							
	CSIZ1		CSIZ0		CUE1		CUE0		CUO1		CUO0		CUTC																			
0A4	CUOA0 (CUrsor0 Origin Address)																															
0A8	CUI0 (CUrsor0 Position Y)								CUI1 (CUrsor0 Position X)																							
0AC	CUOA1 (CUrsor1 Origin Address)																															
0B0	CUI0 (CUrsor1 Position Y)								CUI1 (CUrsor1 Position X)																							
180	DLS (Display Layer Select)																															
	DLS5				DLS4				DLS3				DLS2				DLS1				DLS0											
184	DBGC (Display Back Ground Color)																															
0B4	L0BLD (L0 Blend)																															
	LOBE				LOBS				LOBI				LOBP				L0BR															
188	L1BLD (L1 Blend)																															
	L1BE				L1BS				L1BI				L1BP				L1BR															
18C	L2BLD (L2 Blend)																															
	L2BE				L2BS				L2BI				L2BP				L2BR															
190	L3BLD (L3 Blend)																															
	L3BE				L3BS				L3BI				L3BP				L3BR															
194	L4BLD (L4 Blend)																															
	L4BE				L4BS				L4BI				L4BP				L4BR															
198	L5BLD (L5 Blend)																															
	L5BE				L5BS				L5BI				L5BP				L5BR															

Offset	31	30	29	28	27	26	25	24	23	22	21	20	19	18	17	16	15	14	13	12	11	10	9	8	7	6	5	4	3	2	1	0	
0BC																	L0TC (L0 Transparent Control)																
																	L0ZT	L0TC (L0 Transparent Color)															
0C0	L2TR (L2 Transparent Control)																L3TR (L3 Transparent Control)																
	L2ZT	L2TC (L2 Transparent Color)																L3ZT	L3TR (L3 Transparent Color)														
1A0	L0TEC (L0 Extend Transparency Control)																																
	L0EZT																	L0ETC (L0 Extend Transparent Color)															
1A4	L1TEC (L1 Transparent Extend Control)																																
	L1EZT																	L1ETC (L1 Extend Transparent Color)															
1A8	L2TEC (L2 Transparent Extend Control)																																
	L2EZT																	L2ETC (L2 Extend Transparent Color)															
1AC	L3TEC (L3 Transparent Extend Control)																																
	L3EZT																	L3ETC (L3 Extend Transparent Color)															
1B0	L4ETC (L4 Extend Transparent Control)																																
	L4EZT																	L4ETC (L4 Extend Transparent Color)															
1B4	L5ETC (L5 Extend Transparent Control)																																
	L5EZT																	L5ETC (L5 Extend Transparent Color)															

10.1.5 Video capture register list

Base = CaptureBase

Offset	31	30	29	28	27	26	25	24	23	22	21	20	19	18	17	16	15	14	13	12	11	10	9	8	7	6	5	4	3	2	1	0
000	VCM (Video Capture Mode)																															
	VE																															VS
004	CSC(Capture SScale)																															
	VSCI				VSCF								HSCI				HSCF															
008	VCS(Video Capture Status)																															
																																CE
010	CBM(Capture Buffer Mode)																															
	∞	CBW																														
014	CBOA(Capture Bauffer Origin Address)																															
															CBOA																	
018	CBLA(Capture Buffer Limit Address)																															
															CBLA																	
01C	CIVSTR															CIHSTR																
020	CIVEND															CIHEND																
028	CHP(Capture Horizontal Pixel)																															
																													CHP			
02C	CVP(Capture Vertical Pixel)																															
	CVPP															CVPN																
040	CLPF(Capture Low Pass Filter)																															
	CVLPF				CHLPF																											
048	CMSS(Capture Magnify Source Size)																															
	CMSHP															CMSVL																
04C	CMDS(Capture Magnify Display Size)																															
	CMDHP															CMDVL																
080	RGBHC(RGB input HSYNC Cycle)																															
																													RGBHC			
084	RGBHEN(RGB input Horizontal Enable Area)																															
	RGBHST															RGBHEN																
088	RGBVEN(RGB input Vertical Enable Area)																															
	RGBVST															RGBVEN																
090	RGRS(RGB input SYNC)																															
																RM																HP

Offset	31	30	29	28	27	26	25	24	23	22	21	20	19	18	17	16	15	14	13	12	11	10	9	8	7	6	5	4	3	2	1	0
0C0	RGBCMY(RGB Color convert Matrix Y coefficient)																															
	a11								a11								a11															
0C4	RGBCMCb(RGB Color convert Matrix Cb coefficient)																															
	a21								a22								a23															
0C8	RGBCMCr(RGB Color convert Matrix Cr coefficient)																															
	a31								a32								a33															
0CC	RGBCMb(RGB Color convert Matrix b coefficient)																															
	b1								b2								b3															
4000	CDCN(Capture Data Count for NTSC)																															
									BDCN								VDCN															
4004	CDCP(Capture Data Count for PAL)																															
									BDCP								VDCP															

10.1.6 Drawing engine register list

The parenthesized value in the Offset field denotes the absolute address used by the **SetRegister** command.

Base = DrawBase

Offset	31	30	29	28	27	26	25	24	23	22	21	20	19	18	17	16	15	14	13	12	11	10	9	8	7	6	5	4	3	2	1	0	
000 (000)	Ys																																
	s	s	s	s	Int								0																				
004 (001)	Xs																																
	s	s	s	s	Int								Frac																				
008 (002)	dXdY																																
	s	s	s	s	Int								Frac																				
00C (003)	XUs																																
	s	s	s	s	Int								Frac																				
010 (004)	dXUdy																																
	s	s	s	s	Int								Frac																				
014 (005)	XLs																																
	s	s	s	s	Int								Frac																				
018 (006)	dXLdy																																
	s	s	s	s	Int								Frac																				
01C (007)	USN																																
	0	0	0	0	Int								0																				
020 (008)	LSN																																
	0	0	0	0	Int								0																				
040 (010)	Rs																																
	0	0	0	0	0	0	0	0	0	Int								Frac															
044 (011)	dRdx																																
	s	s	s	s	s	s	s	s	s	Int								Frac															
048 (012)	dRdy																																
	s	s	s	s	s	s	s	s	s	Int								Frac															
04C (013)	Gs																																
	0	0	0	0	0	0	0	0	0	Int								Frac															
050 (014)	dGdx																																
	s	s	s	s	s	s	s	s	s	Int								Frac															
054 (015)	dGdy																																
	s	s	s	s	s	s	s	s	s	Int								Frac															
058 (016)	Bs																																
	0	0	0	0	0	0	0	0	0	Int								Frac															
05C (017)	dBdx																																
	s	s	s	s	s	s	s	s	s	Int								Frac															
060 (018)	dBdy																																
	s	s	s	s	s	s	s	s	s	Int								Frac															

Offset	31	30	29	28	27	26	25	24	23	22	21	20	19	18	17	16	15	14	13	12	11	10	9	8	7	6	5	4	3	2	1	0															
080 (020)	Zs																																														
	0	Int															Frac																														
084 (021)	dZdx																																														
	s	Int															Frac																														
088 (022)	dZdy																																														
	s	Int															Frac																														
0C0 (030)	Ss																																														
	s	s	s	Int															Frac																												
0C4 (031)	dSdx																																														
	s	s	s	Int															Frac																												
0C8 (032)	dSdy																																														
	s	s	s	Int															Frac																												
0CC (033)	Ts																																														
	s	s	s	Int															Frac																												
0D0 (034)	dTdx																																														
	s	s	s	Int															Frac																												
0D4 (035)	dTdy																																														
	s	s	s	Int															Frac																												
0D8 (036)	Qs																																														
	0	0	0	0	0	0	0	0	INT	Frac																																					
0DC (037)	dQdx																																														
	s	s	s	s	s	s	s	s	INT	Frac																																					
0E0 (038)	dQdy																																														
	s	s	s	s	s	s	s	s	INT	Frac																																					
140 (050)	LPN																																														
	0	0	0	0	Int															0																											
144 (051)	LXs																																														
	s	s	s	s	Int															Frac																											
148 (052)	LXde																																														
	s	s	s	s	s	s	s	s	s	s	s	s	s	s	s	s	s	s	s	s	s	s	s	s	s	s	s	s	s	s	Ξ	Frac															
14C (053)	LYs																																														
	s	s	s	s	Int															Frac																											
150 (054)	LYde																																														
	s	s	s	s	s	s	s	s	s	s	s	s	s	s	s	s	s	s	s	s	s	s	s	s	s	s	s	s	s	s	s	Ξ	Frac														
154 (055)	LZs																																														
	s	Int															Frac																														
158 (056)	LZde																																														
	s	Int															Frac																														

Offset	31	30	29	28	27	26	25	24	23	22	21	20	19	18	17	16	15	14	13	12	11	10	9	8	7	6	5	4	3	2	1	0			
180	PXdc																																		
(060)	s	s	s	s	Int												Frac																		
184	PYdc																																		
(061)	s	s	s	s	Int												Frac																		
188	PZdc																																		
(062)	s	Int												Frac																					
200	RXs																																		
(080)	s	s	s	s	Int												0																		
204	RYs																																		
(081)	s	s	s	s	Int												0																		
208	RsizeX																																		
(082)	s	s	s	s	Int												0																		
20C	RsizeY																																		
(083)	s	s	s	s	Int												0																		
240	SADDR																																		
(090)	0	0	0	0	0	0	0	0	Address																										
244	SStride																																		
(091)	0	0	0	0	Int												0																		
248	SRXs																																		
(092)	0	0	0	0	Int												0																		
24C	SRYs																																		
(093)	0	0	0	0	Int												0																		
250	DADDR																																		
(094)	0	0	0	0	0	0	0	0	Address																										
254	DStride																																		
(095)	0	0	0	0	Int												0																		
258	DRXs																																		
(096)	0	0	0	0	Int												0																		
25C	DRYs																																		
(097)	0	0	0	0	Int												0																		
250	BsizeX																																		
(098)	0	0	0	0	Int												0																		
254	BsizeY																																		
(099)	0	0	0	0	Int												0																		
258	TColor																																		
(09A)	0												Color																						
3E0	BLPO																																		
(0f8)																																			BCR

FUJISTU LIMITED PRELIMINARY AND CONFIDENTIAL

Offset	31	30	29	28	27	26	25	24	23	22	21	20	19	18	17	16	15	14	13	12	11	10	9	8	7	6	5	4	3	2	1	0
440	FBR																															
(110)																FBASE																
444	XRES																															
(111)																XRES																
448	ZBR																															
(112)																ZBASE																
44C	TBR																															
(113)																TBASE																
450	PFBR																															
(114)																PFBASE																
454	CXMIN																															
(115)																CLIPXMIN																
458	CXMAX																															
(116)																CLIPXMAX																
45C	CYMIN																															
(117)																CLIPYMIN																
460	CYMAX																															
(118)																CLIPYMAX																
464	TXS																															
(119)																TXSN										TXSM						
468	TIS																															
(11a)																TISN										TISM						
46C	TOA																															
(11b)																XBO																
470	SHO																															
(11C)																SHOFFS																
474	ABR																															
(11D)																ABASE																
480	FC																															
(120)																FGC8/16/24																
484	BC																															
(121)																BGC8/16/24																
488	ALF																															
(122)																A																
48C	BLP																															
(123)																																
494	TBC																															
(129)																BC16/24																

Offset	31	30	29	28	27	26	25	24	23	22	21	20	19	18	17	16	15	14	13	12	11	10	9	8	7	6	5	4	3	2	1	0
540	LX0dc																															
(150)	0	0	0	0	Int												0															
544	LY0dc																															
(151)	0	0	0	0	Int												0															
548	LX1dc																															
(150)	0	0	0	0	Int												0															
54C	LY1dc																															
(151)	0	0	0	0	Int												0															
580	X0dc																															
(160)	0	0	0	0	Int												0															
584	Y0dc																															
(161)	0	0	0	0	Int												0															
588	X1dc																															
(162)	0	0	0	0	Int												0															
58C	Y1dc																															
(163)	0	0	0	0	Int												0															
590	X2dc																															
(164)	0	0	0	0	Int												0															
594	Y2dc																															
(165)	0	0	0	0	Int												0															

10.2 Explanation of Local Memory Registers

Terms appeared in this chapter are explained below:

1. Register address
Indicates address of register
2. Bit number
Indicates bit number
3. Bit field name
Indicates name of each bit field included in register
4. R/W
Indicates access attribute (read/write) of each field
Each symbol shown in this section denotes the following:

R0 "0" always read at read. Write access is Don't care.

W0 Only "0" can be written.

R Read enabled

W Write enabled

RX Read enabled (read values undefined)

RW Read and write enabled

RW0 Read and write 0 enabled

5. Initial value
Indicates initial value of immediately before the reset of each bit field.
6. Handling of reserved bits
"0" is recommended for the write value so that compatibility can be maintained with future products.

10.2.1 Host interface registers

MRO (Mirror Register Override)

Register address	HostBaseAddress + 001Ch																															
Bit number	31	30	29	28	27	26	25	24	23	22	21	20	19	18	17	16	15	14	13	12	11	10	9	8	7	6	5	4	3	2	1	0
Bit field name	Reserved																															MRO
R/W	R0																															RW
Initial value	0																															0

Writing a “1b” to this register overrides use of the Geometry/Draw Engine Mirror registers which reside in the host interface. Access to the Mirror registers is faster than the source registers in the Geometry/Draw Engines. For normal operation this register need not be used and should be kept as “0b”.

IST (Interrupt Status)

Register address	HostBaseAddress + 20H																															
Bit number	31	30	29	28	27	26	25	24	23	22	21	20	19	18	17	16	15	14	13	12	11	10	9	8	7	6	5	4	3	2	1	0
Bit field name	IST				*1	IST	Reserved						Resv	Reserved						IST	IST											
R/W	RW0	R	RW0	R0	RW0	R0						R0W0	R0						RW0	RW0												
Initial value	0	0	0	0	0	0						0	0						0	0												

*1 Reserved

This register indicates the current interrupt status. It shows that an interrupt request is issued when “1” is set to this register. The interrupt status is cleared by writing “0” to this register.

- Bit 0 CERR (Command Error Flag)
Indicates drawing command execution error interrupt
- Bit 1 CEND (Command END)
Indicates drawing command end interrupt
- Bit 2 VSYNC (Vertical Sync.)
Indicates vertical interrupt synchronization
- Bit 3 FSYNC (Frame Sync.)
Indicates frame synchronization interrupt
- Bit 4 SYNCERR (Sync. Error)
Indicates external synchronization error interrupt
- Bit 17 and 16 Reserved
This field is provided for testing.
Normally, the read value is “0”, but note that it may be “1” when a drawing command error (Bit 0) has occurred.
- Bit 24 TIM (Timeout)
Indicates that an internal FIFO or Bus timeout has occurred. The TCS (Timeout Control/Status) register may be read to determine the cause of the timeout.
- Bit 26 SII (Serial Interface Interrupt)
Indicates a serial interface write/read has completed.
- Bit 27 GI (GPIO Interrupt)
Indicates that a GPIO input has changed state (0->1 or 1->0)

- Bit 28 BC (Burst Complete)
Indicates that a burst has completed (as part of a Burst Control Unit transfer). Note that this bit is cleared by writing to the BST (Burst Status) register, not the IST.
- Bit 29 TC (Transfer Complete)
Indicates that a transfer is complete (as controlled by the Burst Control Unit). Note that this bit is cleared by writing to the BST (Burst Status) register, not the IST.
- Bit 30 HF (HIF Fatal)
Indicates that a fatal error occurred in a PCI transfer.
- Bit 31 AE (Address Error)
Indicates that an invalid address was specified for an access (eg. Host Interface registers as a BCU source address).

IMASK (Interrupt MASK)

Register address	HostBaseAddress + 24H																															
Bit number	31	30	29	28	27	26	25	24	23	22	21	20	19	18	17	16	15	14	13	12	11	10	9	8	7	6	5	4	3	2	1	0
Bit field name	IMASK						*1	IMASK	Reserved						Resv	Reserved						IMASK	IMASK									
R/W	RW						R0	RW	R0						R0W0	R0						RW	RW									
Initial value	0						0	0	0						0	0						0	0									

*1 Reserved

This register masks interrupt requests. Even when the interrupt request is issued for the bit to which "0" is written, interrupt signal is not asserted for CPU.

- Bit 0 CERRM (Command Error Interrupt Mask)
Masks drawing command execution error interrupt
- Bit 1 CENDM (Command Interrupt Mask)
Masks drawing command end interrupt
- Bit 2 VSYNCM (Vertical Sync. Interrupt Mask)
Masks vertical synchronization interrupt
- Bit 3 FSYNCH (Frame Sync. Interrupt Mask)
Masks frame synchronization interrupt
- Bit 4 SYNCERRM (Sync Error Mask)
Masks external synchronization error interrupt
- Bit 24 TIMM (Timeout Mask)
Masks timeout interrupt.
- Bit 26 SIIM (Serial Interface Interrupt)
Masks serial interface interrupt.
- Bit 27 GIM (GPIO Interrupt)
Masks GPIO interrupt.
- Bit 28 BCM (Burst Complete)
Masks Burst Complete interrupt.
- Bit 29 TCM (Transfer Complete)
Masks Transfer complete interrupt.

- Bit 30 HFM (HIF Fatal)
Masks HIF fatal interrupt.
- Bit 31 AEM (Address Error)
Masks address error interrupt.

SRST (Software ReSeT)

Register address	HostBaseAddress + 2C _H							
Bit number	7	6	5	4	3	2	1	0
Bit field name	Reserved							SRST
R/W	R0							W1
Initial value	0							0

This register controls software reset. When “1” is set to this register, a software reset is performed.

CCF (Change of Clock Frequency)

Register address	HostBaseAddress + 0038 _H																															
Bit number	31	30	29	28	27	26	25	24	23	22	21	20	19	18	17	16	15	14	13	12	11	10	9	8	7	6	5	4	3	2	1	0
Bit field name	Reserved														CGE	COT	Reserved															
R/W	RW0														RW	RW	RW0															
Initial value	0														10	01	0															

This register changes the operating frequency.

- Bit 19 and 18 CGE (Clock select for Geometry Engine)
Selects the clock for the geometry engine
 - 11 Reserved
 - 10 166 MHz
 - 01 133 MHz
 - 00 100 MHz

- Bit 17 and 16 COT (Clock select for the others except-geometry engine)
Selects the clock for other than the geometry engine
 - 11 Reserved
 - 10 Reserved
 - 01 133 MHz
 - 00 100 MHz

Notes:

1. Write “0” to the bit field other than the above ([31:20], [15:00]).
2. Operation is not assured when the clock setting relationship is CGE < COT.

RSW (Register location Switch)

Register address	HostBaseAddress + 5C _H							
Bit number	7	6	5	4	3	2	1	0
Bit field name	Reserved							RSW
R/W	R0							RW
Initial value	0							0

Setting this register will move the register area from the center (1FC0000) to the end of the CORAL area (3FC0000). This move can be performed when “1” is written to this register.

Set this register at the first access after reset. Access CORAL after about 20 bus clocks after setting the register.

IP (Interrupt Polarity)

Register address	HostBaseAddress + 0070 _H																															
Bit number	31	30	29	28	27	26	25	24	23	22	21	20	19	18	17	16	15	14	13	12	11	10	9	8	7	6	5	4	3	2	1	0
Bit field name	Reserved																														IP	
R/W	R0																														RW	
Initial value	0																														0	

In normal mode (with IP “0b”) the interrupt polarity is low (PCI standard). If an active high interrupt is required then this may be configured by setting this register to “1b”.

OFU (Override FIFO Use)

Register address	HostBaseAddress + 007C _H																															
Bit number	31	30	29	28	27	26	25	24	23	22	21	20	19	18	17	16	15	14	13	12	11	10	9	8	7	6	5	4	3	2	1	0
Bit field name	Reserved																														OFU	
R/W	R0																														RW	
Initial value	0																														0	

In normal mode (with OFU “0b”) any write to the FIFO address will use the FIFO interface. Setting this bit to “1b” will override this and a standard bus access will be used. Under normal circumstances this register should be kept as “0b”.

FRST (Firm ReSeT)

Register address	HostBaseAddress + 00A0 _H																															
Bit number	31	30	29	28	27	26	25	24	23	22	21	20	19	18	17	16	15	14	13	12	11	10	9	8	7	6	5	4	3	2	1	0
Bit field name	Reserved																														FRST	
R/W	R0																														RW	
Initial value	0																														0	

Writing a “1b” to this register will trigger a Firm Reset. This resets the complete device (as far as possible) including the PCI Interface.

SRBS (Slave Burst Read Size)

Register address	HostBaseAddress + 00A4 _H																															
Bit number	31	30	29	28	27	26	25	24	23	22	21	20	19	18	17	16	15	14	13	12	11	10	9	8	7	6	5	4	3	2	1	0
Bit field name	Reserved																											SRBS				
R/W	R0																											RW				
Initial value	0																											0				

This register specifies the length of a burst read through the PCI Slave Interface as SRBS+1. By default this register is set to “000b” indicating a burst read length of 1 dword. The maximum setting is 7 (“111b”) and indicates a burst read length of 8 dwords.

IOM (IO Mode)

Register address	HostBaseAddress + 00A8 _H																															
Bit number	31	30	29	28	27	26	25	24	23	22	21	20	19	18	17	16	15	14	13	12	11	10	9	8	7	6	5	4	3	2	1	0
Bit field name	Resv.		GIM										GD						SER	RGB	BEE	SBE	TCE	BCE	EEE							
R/W	R0		RW										RW						RW	RW	RW	RW	RW	RW	RW							
Initial value	0		0										0						0	*1	0	0	0	0	*2							

*1 – initial reset value specified by Burst Enable pin state at reset.

*2 – initial reset value specified by Transfer Complete pin state at reset.

This register determines the function of those Coral LP pins under the control of the host interface. It also defines the direction (input/output) of any GPIO.

- Bit 0 EEE (EEPROM Enable)
If set then the PCI EEPROM Configuration function is enabled. This field takes its reset value from the Transfer Complete pin at system reset. Note that if the RGB input is enabled then the EEPROM interface is disabled regardless of the value of this register. If this field is “0b” (and the RGB input is not enabled) then the EEPROM pins operate either as serial interface pins or GPIO as determined by the SER field.
- Bit 1 BCE (Burst Complete Enable)
If set to “1b” then the BURSTC pin operates as Burst Complete. Otherwise if set to “0b” it operates as a GPIO. If the RGB input is enabled this field is ignored and the BURSTC pin operates as an RGB input pin.
- Bit 2 TCE (Transfer Complete Enable)
If set to “1b” then the TRANSC pin operates as Transfer Complete. Otherwise if set to “0b” it operates as GPIO.
- Bit 3 SBE (Slave Busy Enable)
If set to “1b” then the SBUSY pin operates as Slave Busy. Otherwise if set to “0b” it operates as a GPIO. If the RGB input is enabled this field is ignored and the SBUSY pin operates as an RGB input pin.
- Bit 4 BEE (Burst Enable Enable)
If set to “1b” then the BURSTEN pin operates as Burst Enable. Otherwise if set to “0b” it operates as GPIO.
- Bit 5 RGB (RGB input enable)
If set to “1b” then the RGB input is enabled. This field takes its reset value from the Burst Enable pin at system reset and overrides all other IO enable fields.
- Bit 6 SER (SERial Interface enable)
If set to “1b” then the serial interface is enabled. This field is ignored if either the RGB input or EEPROM is enabled. For the serial interface strobe signal to be used the SBE field must also be clear (“0b”).

- Bit 15 to GD (GPIO Direction)
Bit 7 Specifies the direction of pins acting as GPIO. If a bit is “0b” then the pin acts as an input. Otherwise if set to “1b” it operates as an output. The mapping to pins is:
Bit 7: EDO
Bit 8: EDI
Bit 9: ECK
Bit 10: ECS
Bit 11: EE
Bit 12: BURSTC
Bit 13: TRANSC
Bit 14: SBUSY
Bit 15: BURSTEN
- Bit 29 to GIM (GPIO Interrupt Mask)
Bit 16 Masks (enables) interrupt triggering on a GPIO pin by pin basis. If a bit is set to “1b” then a change in stage of that pin (0->1 or 1->0) can trigger an interrupt via the IST register. Otherwise if set to “0b” no interrupt will be triggered. Care should be taken to disable interrupts on pins not operating as GPIO inputs, otherwise unwanted interrupts may occur. The mapping to pins is:
Bit 16: EDO
Bit 17: EDI
Bit 18: ECK
Bit 19: ECS
Bit 20: EE
Bit 21: BURSTC
Bit 22: TRANSC
Bit 23: SBUSY
Bit 24: BURSTEN
Bit 25: GI1
Bit 26: GI2
Bit 27: GI3
Bit 28: GI4
Bit 29: GI5

GD (GPIO Data)

Register address	HostBaseAddress + 00AC _H																															
Bit number	31	30	29	28	27	26	25	24	23	22	21	20	19	18	17	16	15	14	13	12	11	10	9	8	7	6	5	4	3	2	1	0
Bit field name	Reserved								GWE								Resv		GD													
R/W	R0								W								R0		RW													
Initial value	0								0								0		0 (*1)													

*1 – initial value will be affected by state of GPIO pins

This register contains the GPIO read/write data field and the write mask when setting GPIO outputs.

Bit 13 to Bit 0 GD (GPIO Data)

This field is used for both reading the value of GPIO inputs and specifying the value for GPIO outputs. When writing to this field only those pins with the corresponding bit set in the GWE field will be changed. The bit positions refer to the following pins:

- Bit 0: EDO
- Bit 1: EDI
- Bit 2: ECK
- Bit 3: ECS
- Bit 4: EE
- Bit 5: BURSTC
- Bit 6: TRANSC
- Bit 7: SBUSY
- Bit 8: BURSTEN
- Bit 9: GI1
- Bit 10: GI2
- Bit 11: GI3
- Bit 12: GI4
- Bit 13: GI5

Bit 24 to Bit 16 GWE (GPIO Write Enable)

When writing values to the GPIO Outputs using the GD field, this field specifies those bits which are being written to. If a bit in this field is “1b” then the corresponding bit will be written to. Otherwise if a bit it “0b” the corresponding bit will remain unchanged. The bit positions refer to the following pins:

- Bit 16: EDO
- Bit 17: EDI
- Bit 18: ECK
- Bit 19: ECS
- Bit 20: EE
- Bit 21: BURSTC
- Bit 22: TRANSC
- Bit 23: SBUSY
- Bit 24: BURSTEN

SIC (Serial Interface Control)

Register address	HostBaseAddress + 00B0H																															
Bit number	31	30	29	28	27	26	25	24	23	22	21	20	19	18	17	16	15	14	13	12	11	10	9	8	7	6	5	4	3	2	1	0
Bit field name	Reserved													0	0	CKD	Reserved						DOE	Reserved			SD	SP	SL			
R/W	R0													RW	RW	RW	R0						RW	R0			RW	RW	RW			
Initial value	0													0	0	0	0						0	0			0	0	0			

This register provides control for the serial interface protocol and clock.

- Bit 0 SL (Strobe Length)

If set to “0b” then the strobe signal is only active for one cycle at the start of a transfer. Otherwise if set to “1b” it is active for the duration of the cycle. Note that this field may be overridden for a single transaction using the FS/FSL fields in the SID register.
- Bit 1 SP (Strobe Polarity)

If set to “0b” then strobe is active low. Otherwise if set to “1b” it is active high.
- Bit 2 SD (Strobe Disable)

If set to “1b” then the serial interface strobe is disabled. Note that this field may be overridden for a single transaction using the FS field in the SID register.
- Bit 8 DOE (Data Output Enable control)

If set to “0b” then the Data Out signal is driven permanently even when transactions are not in progress. If set to “1b” then the Data Out is driven only during active cycles.
- Bit 17 to
Bit 16 CKD (Clock Divisor)

This field specifies the serial interface clock divisor. The main system clock is divided down by one of the following factors:

 - 00b: 16
 - 01b: 32
 - 10b: 64
 - 11b: 128

Based on a 133MHz internal clock these yield frequencies of approximately 8.3MHz, 4.1MHz, 2.0 MHz and 1.0MHz respectively.
- Bit 18 CKG (Clock Gating)

When set to “1b” the serial interface clock is only active during active transfers. Otherwise if set to “0b” it is active continuously. Note that the CKP field specifies the inactive value when the clock is static.
- Bit 19 CKP (Clock Polarity)

When set to “0b” data/strobe are clocked out on a falling edge of the serial interface clock and data in is clocked in on the next falling edge. When clock gating is enabled (by setting the CKG field) the static level is low.

When set to “1b” data/strobe are clocked out on a rising edge of the serial interface clock and data in is clocked in on the next falling edge. When clock gating is enabled (by setting the CKG field) the static level is high.

SID (Serial Interface Data)

Register address	HostBaseAddress + 00B4 _H																															
Bit number	31	30	29	28	27	26	25	24	23	22	21	20	19	18	17	16	15	14	13	12	11	10	9	8	7	6	5	4	3	2	1	0
Bit field name	Reserved														FS	FSL	TLS						RWD									
R/W	R0														RW	RW	RW						RW									
Initial value	0														0	0	0						0									

This register is used to write/read serial interface data, enable a transfer and monitor a transfers progress.

- Bit 0 to Bit 7 RWD (Read/Write Data)
When written to specifies the serial output data. When read it contains the serial interface input data. Note that data will be shifted out top bit (bit 7) first down to the bottom bit (bit 0) last. Read data will be shifted in to the bottom bit and shifted up by by each bit of the transfer. For transfer of length 8 this will yield consistent read/write data. For transfers of less than 8 bits then identical read and write data will appear different.
- Bit 15 to Bit 8 TLS (Transfer Length/Status)
Specifies the length of a transfer and can be used to monitor its status. For each bit of a transfer this field is shifted up by one until it is "0000000b". For example, to specify a transfer of 8 bits "0000001b" should be written. To specify a transfer of 3 bits "0010000" should be written.
- Bit 16 FS (Force Strobe)
For a single transfer this field can be used to override settings in the SIC register. If set to "1b" then a strobe will be done with a length specified in the FSL field.
- Bit 17 FSL (Force Strobe Length)
For a single transfer if the FS field is set this field overrides the SL field in the SIC register and specifies the Strobe Length for the transfer. A value of "0b" specifies a strobe only for the first active cycle of the transfer. A value of "1b" specifies a strobe active for the whole transfer.

CID (Chip ID register)

Register address	HostBaseAddress + 00f0 _H																															
Bit number	31	30	29	28	27	26	25	24	23	22	21	20	19	18	17	16	15	14	13	12	11	10	9	8	7	6	5	4	3	2	1	0
Bit field name	Reserved														CN						VER											
R/W	R0														R						R											
Initial value	0														0000_0011						0000_0110											

This is the chip identification register.

- Bit 7 to 0 VER (VERsion)
This field indicates the chip's unique version number. Note that the unique version number for the ES version and that of the mass-produced version are different.
0000_0000 ES
0000_0001 Reserved
0000_0010 Reserved for LQ
0000_0011 Reserved
0000_0100 Reserved for LB

0000_0101 Reserved
 0000_0110 Reserved for LP (Coral LP value)
 others Reserved

Bit 15 to 8 CN (Chip Name)
 This field indicates the chip name.

0000_0000 Reserved
 0000_0001 Reserved
 0000_0010 Reserved
 0000_0011 CORAL
 others Reserved

BSA (Burst Source Address)

Register address	HostBaseAddress + 8000 _H																															
Bit number	31	30	29	28	27	26	25	24	23	22	21	20	19	18	17	16	15	14	13	12	11	10	9	8	7	6	5	4	3	2	1	0
Bit field name	SA																															
R/W	RW																															
Initial value	0																															

This register specifies the initial source address for a transfer controlled by the Burst Control Unit. Its interpretation (internal Coral/external PCI) will depend on the transfer mode specified in the BSR register.

BDA (Burst Destination Address)

Register address	HostBaseAddress + 8004 _H																															
Bit number	31	30	29	28	27	26	25	24	23	22	21	20	19	18	17	16	15	14	13	12	11	10	9	8	7	6	5	4	3	2	1	0
Bit field name	DA																															
R/W	RW																															
Initial value	0																															

This register specifies the initial destination address for a transfer controlled by the Burst Control Unit. Its interpretation (internal Coral/external PCI) will depend on the transfer mode specified in the BSR register.

BCR (Burst Control Register)

Register address	HostBaseAddress + 8008 _H																															
Bit number	31	30	29	28	27	26	25	24	23	22	21	20	19	18	17	16	15	14	13	12	11	10	9	8	7	6	5	4	3	2	1	0
Bit field name	SL	AL	NS	*1	BSIZE								TSIZE																			
R/W	RW	RW	RW	R0	RW								RW																			
Initial value	0	0	0	0	0								0																			

*1 - Reserved

This register specifies the length and address manipulation performed for a transfer. It can also be used to start a transfer.

Bit 23 to 0 TSIZE
 This field specifies the overall transfer length as a number of dwords. A transfer will be split up into a number of bursts whose length is specified by the BSIZE field.

- Bit 27 to 24 BSIZE (Burst Size)
 This field specifies the length of a BCU controlled burst as a number of dwords. One or more bursts will make up an overall transfer. Note that if TSIZE is not an exact multiple of BSIZE the final burst of a transfer will be less than BSIZE.
- Bit 29 NSA (New Source Address)
 If this bit is set to “1b” then after each burst the source address is incremented by the burst size. This means that a large continuous section of memory can be transferred. If this bit is “0b” then successive bursts will always be from the initial specified start address. This mode could be used if transferring data from a FIFO like interface.
- Bit 30 NDA (New Destination Address)
 If this bit is set to “1b” then after each burst the destination address is incremented by the burst size. This means that data can be transferred into a large continuous section of memory. If this bit is “0b” then successive bursts will always be to the initial specified destination address. This mode should be used when transferring data to the FIFO.
- Bit 31 STRT (STaRT transfer)
 When set to “1b” a transfer is started. Otherwise the transfer will wait until triggered wither through the Burst Enable Register (BER) or via the external burst enable signal.

BSR (Burst Setup Register)

Register address	HostBaseAddress + 800C _H																															
Bit number	31	30	29	28	27	26	25	24	23	22	21	20	19	18	17	16	15	14	13	12	11	10	9	8	7	6	5	4	3	2	1	0
Bit field name	Reserved																XCOR	IMODE	TCM	BCM	EXTEN	MODE										
R/W	RO																RW	RW	RW	RW	RW	RW										
Initial value	0																0	0	0	0	0	0										

This register specifies the type of a transfer (interpretation of the addresses) and specifies the setup of control signals/status bits.

- Bit 2 to 0 MODE (transfer MODE)
 This field specifies the mode of the transfer and thus the interpretation of the source/destination addresses.
 000b: Slave Mode PCI to Coral
 001b: Slave Mode Coral to PCI
 010b: Coral to Coral (internal transfer)
 011b: Reserved
 100b: PCI to Coral (PCI Master read)
 101b: Coral to PCI (PCI Master write)
 110b: PCI to PCI (PCI Master read/write external DMA transfer)
 111b: Reserved
 Refer to Chapter 3 for a detailed explanation of these modes.
- Bit 3 EXTEN (EXTernal ENable)
 If set to “1b” then the external BURSTEN (Burst Enable) signal may be used to initiate and pause a transfer. Otherwise if set to “0b” the external BURSTEN signal is ignored.
- Bit 4 BCM (Burst Complete Mask)
 If set to “1b” then the external BURSTC signal will be active. Otherwise if set to “0b” it will remain inactive low. Note that this bit does not affect the Burst Complete indication in the main interrupt status register (IST) or the triggering of the main external interrupt.
- Bit 5 TCM (Transfer Complete Mask)
 If set to “1b” then the external TRANSC signal will be active. Otherwise if set to “0b” it will remain inactive low. Note that this bit does not affect the Transfer Complete indication in the main interrupt status register (IST) or the triggering of the main external interrupt.

- Bit 6 IMODE (Interrupt Mode)
 This bit controls how the external BURSTC/TRANSC signals operate. If set to “0b” they are active high. Otherwise if set to “1b” they toggle at each change of state removing the need for the host to read/write the status register to clear them down.
 Note that when using the Burst Complete/Transfer Complete indications via the main interrupt status register this field should always be “0b”.
- Bit 7 XCOR (*not* Clear On Read)
 If set to “0b” then the Burst Complete/Transfer Complete fields in the Burst Status register are clear on read. Otherwise if set to “1b” they must be manually written.

BER (Burst Enable Register)

Register address	HostBaseAddress + 8010 _H																															
Bit number	31	30	29	28	27	26	25	24	23	22	21	20	19	18	17	16	15	14	13	12	11	10	9	8	7	6	5	4	3	2	1	0
Bit field name	Reserved															ABORT	*1	Reserved						Reserved			EXTST	BEN				
R/W	R0															W	R0	RX						R0			R	RW				
Initial value	0															0	0	Don't Care						0			0	0				

*1 - Reserved

This register can be used to enable/pause/abort a transfer. It can also be used to monitor the state of the external Burst Enable signal.

- Bit 0 BEN (Burst ENable)
 When set to “1b” a transfer is enabled. This bit will also become set if the STRT bit in the BCR register is set. During a transfer this may be cleared to “0b” to pause/halt a transfer at the next boundary between bursts. Setting it back to “1b” will re-enable the transfer from the position it had reached.
- Bit 1 EXTST (External Status)
 Provided the state of the external Burst Enable signal.
- Bit 16 ABORT
 Under some circumstances clearing the BEN field may not halt a transfer. This will happen if the Burst Controller is waiting for an external PCI Master to take some action. In this case writing “1b” to the ABORT field will cancel the transfer. The transfer will not be able to be re-started.

BST (Burst STatus)

Register address	HostBaseAddress + 8014 _H																															
Bit number	31	30	29	28	27	26	25	24	23	22	21	20	19	18	17	16	15	14	13	12	11	10	9	8	7	6	5	4	3	2	1	0
Bit field name	TC	BC	Reserved														TCNT															
R/W	R	R	R0														R															
Initial value	0	0	0														0															

This register is used to monitor the state of the current transfer.

- Bit 23 to 0 TCNT (Transfer CouNT)
 Gives the current transfer count as a number of dwords remaining to be transferred.
- Bit 30 BC (Burst Complete)
 Indicates the state of a burst. Note that when in active high mode this field will remain high following a burst unless it is cleared either by a clear on read or by writing 0 to it.

Bit 31 TC (Transfer Complete)

Indicates the state of the current transfer. When set to “1b” the transfer is complete.

BCB (Burst Controller Buffer)

Register address	HostBaseAddress + 8040 _H																															
Bit number	31	30	29	28	27	26	25	24	23	22	21	20	19	18	17	16	15	14	13	12	11	10	9	8	7	6	5	4	3	2	1	0
Bit field name	RWDATA * 8																															
R/W	RW																															
Initial value	0																															

This buffer is used by the Burst Controller as a temporary store while executing transfers. The user should only need to access it when using modes “000b” and “001b” – the PCI slave modes. These can be used to transfer large quantities of data to/from the Coral LP in PCI Slave mode with automatic pre-fetch/write of data with address incrementing.

10.2.2 I²C Interface Registers

BSR (Bus Status Register)

Register address	I2C Base Address + 000h							
Bit No	7	6	5	4	3	2	1	0
Bit field name	BB	RSC	AL	LRB	TRX	AAS	GCA	FBT
R/W	R	R	R	R	R	R	R	R
Default	0	0	0	0	0	0	0	0

All bits on this register are cleared while bit EN on CCR register is "0".

- Bit7** BB (Bus Busy)
Indicate state of I2C-bus
0: STOP condition was detected.
1: START condition (The bus is in use.) was detected.
- Bit6** RSC (Repeated START Condition)
Indicate repeated START condition
This bit is cleared by writing "0" to INT bit, the case of not addressed in a slave mode, the detection of START condition under bus stop, and the detection of STOP condition.
0: Repeated START condition was not detected.
1: START condition was detected again while the bus was in use.
- Bit5** AL(Arbitration Lost)
Detect Arbitration lost
This bit is cleared by writing "0" to INT bit.
0: Arbitration lost was not detected.
1: Arbitration occurred during master transmission, or "1" writing was performed to MSS bit while other systems were using the bus.
- Bit4** LRB (Last Received Bit)
Store Acknowledge
This bit is cleared by detection of START condition or STOP condition.
- Bit3** TRX (Transmit / Receive)
Indicate data receipt and data transmission.
0: receipt
1: transmission
- Bit2** AAS (Address As Slave)
Detect addressing
This bit is cleared by detection of START condition or STOP condition.
0: Addressing was not performed in a slave mode.
1: Addressing was performed in a slave mode.
- Bit1** GCA (General Call Address)
Detect general call address (00h)
This bit is cleared by detection of START condition or STOP condition.
0: General call address was not received in a slave mode.
1: General call address was received in a slave mode.
- Bit0** FBT (First Byte Transfer)
Detect the 1st byte
Even if this bit is set to "1" by detection of START condition, it is cleared by writing "0" on INT bit or by not being addressed in a slave mode.
0: Received data is not the 1st byte.
1: Received data is the 1st byte (address data).

BCR (Bus Control Register)

Register address	I2C Base Address + 0004h							
Bit No	7	6	5	4	3	2	1	0
Bit field name	BER	BEIE	SCC	MSS	ACK	GCAA	INTE	INT
R/W	R/W0	R/W	R0/W1	R/W	R/W	R/W	R/W	R/W
Default	0	0	0	0	0	0	0	0

- Bit7** **BER (Bus Error)**
Flag bit for request of bus error interruption
When this bit is set, EN bit on CCR register will be cleared, this module will be in a stop state and data transfer will be discontinued.
write case
0: A request of buss error interruption is cleared.
1: Don't care.
read case
0: A bus error was not detected.
1: Undefined START condition or STOP condition was detected while data transfer.
- Bit6** **BEIE (Bus Error Interruption Enable)**
Permit bus error interruption
When both this bit and BER bit are "1", the interruption is generated.
0: Prohibition of bus error interruption
1: Permission of bus error interruption
- Bit5** **SCC (Start Condition Continue)**
Generate START condition
write case
0: Don't care.
1: START condition is generated again at the time of master transmission.
- Bit4** **MSS (Master Slave Select)**
Select master / slave mode
When arbitration lost is generated in master transmission, this bit is cleared and this module becomes a slave mode.
0: This module becomes a slave mode after generating STOP condition and completing transfer.
1: This module becomes a master mode, generates START condition and starts transfer.
- Bit3** **ACK (ACKnowledge)**
Permit generation of acknowledge at the time of data reception
This bit becomes invalid at the time of address data reception in a slave mode.
0: Acknowledge is not generated.
1: Acknowledge is generated.
- Bit2** **GCAA(General Call Address Acknowledge)**
Permit generation of acknowledge at the time of general call address reception
0: Acknowledge is not generated.
1: Acknowledge is generated.
- Bit1** **INTE (INTerrupt Enable)**
Permit interruption
When this bit is "1" interruption is generated if INT bit is "1".
0: Prohibition of interrupt
1: Permission of interrupt
- Bit0** **INT (INTerrupt)**
Flag bit for request of interruption for transfer end
When this bit is "1" SCL line is maintained at "L" level. If this bit is cleared by being

written "0", SCL line is released and the following byte transfer is started. Moreover, it is reset to "0" by generating of START condition or STOP condition at the time of a master.

write case

0: The flag is cleared.

1: Don't care.

read case

0: The transfer is not ended.

1: It is set when 1 byte transfer including the acknowledge bit is completed and it corresponds to the following conditions.

- It is a bus master.

- It is an addressed slave.

- It was going to generate START condition while other systems by which arbitration lost happened used the bus.

Competition of SCC, MSS and INT bit

Competition of the following byte transfer, generation of START condition and generation of STOP condition happens by the simultaneous writing of SCC, MSS and INT bit. The priority at this case is as follows.

1) The following byte transfer and generation of STOP condition

If "0" is written to INT bit and "0" is written to MSS bit, priority will be given to "0" writing to MSS bit and STOP condition will be generated.

2) The following byte transfer and generation of START condition

If "0" is written to INT bit and "1" is written to SCC bit, priority will be given to "1" writing to SCC bit and START condition will be generated.

3) Generation of START condition and STOP condition

The simultaneous writing of "1" to SCC bit and "0" to MSS bit is prohibition.

CCR (Clock Control Register)

Register address	I2C Base Address + 0008h							
Bit No	7	6	5	4	3	2	1	0
Bit field name	-	HSM	EN	CS4	CS3	CS2	CS1	CS0
R/W	R1	R/W	R/W	R/W	R/W	R/W	R/W	R/W
Default	1	0	0	-	-	-	-	-

- Bit7 Nonuse
"1" is always read at read.
- Bit6 HSM (High Speed Mode)
Select standard-mode / high-speed-mode
0: Standard-mode
1: High-speed-mode
- Bit5 EN (Enable)
Permission of operation
When this bit is "0", each bit of BSR and BCR register (except BER and BEIE bit) is cleared. This bit is cleared when BER bit is set.
0: Prohibition of operation
1: Permission of operation
- Bit4 CS4 - 0 (Clock Period Select4 - 0)
Set up the frequency of a serial transfer clock
Frequency fscl of a serial transfer clock is shown as the following formula.
Please set up fscl not to exceed the value shown below at the time of master operation.
standard-mode: 100KHz
high-speed-mode: 400KHz

standard-mode

$$fscl = \frac{A}{(2 \times m)+2}$$

high-speed-mode

$$fscl = \frac{A}{int(1.5 \times m)+2}$$

A: I2C system clock = 16.6MHz

<Notes>

+2 cycles are minimum overhead to confirm that the output level of SCL terminal changed. When the delay of the positive edge of SCL terminal is large or when the clock is extended by the slave device, it becomes larger than this value.

The value of m becomes like the following page to the value of CS 4-0.

CS4	CS3	CS2	CS1	CS0	m	
					standard	high-speed
0	0	0	0	0	65	inhibited
0	0	0	0	1	66	inhibited
0	0	0	1	0	67	inhibited
0	0	0	1	1	68	inhibited
0	0	1	0	0	69	inhibited
0	0	1	0	1	70	inhibited
0	0	1	1	0	71	inhibited
0	0	1	1	1	72	inhibited
0	1	0	0	0	73	9
0	1	0	0	1	74	10
0	1	0	1	0	75	11
0	1	0	1	1	76	12
0	1	1	0	0	77	13
0	1	1	0	1	78	14
0	1	1	1	0	79	15
0	1	1	1	1	80	16
1	0	0	0	0	81	17
1	0	0	0	1	82	18
1	0	0	1	0	83	19
1	0	0	1	1	84	20
1	0	1	0	0	85	21
1	0	1	0	1	86	22
1	0	1	1	0	87	23
1	0	1	1	1	88	24
1	1	0	0	0	89	25
1	1	0	0	1	90	26
1	1	0	1	0	91	27
1	1	0	1	1	92	28
1	1	1	0	0	93	29
1	1	1	0	1	94	30
1	1	1	1	0	95	31
1	1	1	1	1	96	32

Address Register(ADR)

Register address	I2C Base Address + 000Ch							
Bit No	7	6	5	4	3	2	1	0
Bit field name	-	A6	A5	A4	A3	A2	A1	A0
R/W	R1	R/W	R/W	R/W	R/W	R/W	R/W	R/W
Default	1	-	-	-	-	-	-	-

Bit7 Nonuse
 "1" is always read at read.

Bit6 - 0 A6 - 0 (Address6 - 0)
 Store slave address
 In a slave mode it is compared with DAR register after address data reception, and
 when in agreement, acknowledge is transmitted to a master.

Data Register(DAR)

Register address	I2C Base Address + 0010h							
Bit No	7	6	5	4	3	2	1	0
Bit field name	D7	D6	D5	D4	D3	D2	D1	D0
R/W	R/W	R/W	R/W	R/W	R/W	R/W	R/W	R/W
Default	-	-	-	-	-	-	-	-

Bit7 - 0 D7 - 0 (Data7 - 0)
 Store serial data
 This is a data register for serial data transfer. The data is transferred from MSB. At
 the time of data reception (TRX=0) the data output is set to "1".
 The writing side of this register is a double buffer. When the bus is in use (BB=1),
 the write data is loaded to the register for serial transfer for every transfer. At the
 time of read-out, the receiving data is effective only when INT bit is set because
 the register for serial transfer is read directly at this time.

10.2.3 Graphics memory interface registers

MMR (Memory I/F Mode Register)

Register address	HostBaseAddress + FFFC _H																															
Bit number	31	30	29	28	27	26	25	24	23	22	21	20	19	18	17	16	15	14	13	12	11	10	9	8	7	6	5	4	3	2	1	0
Bit field name	*1	RW	Reserved	*1	*1	TRRD	TRC	TRP	TRAS	TRCD	LOWD	RTS	RAW	ASW	CL																	
R/W	RW	RW	R	R1 W0	R	RW	RW	RW	RW	RW	RW	RW	RW	RW	RW																	
Initial value	0	0	Don't care	1	0	00	0000	00	000	00	00	00	000	000	0	000																

*1: Reserved

This register sets the mode of the graphics memory interface. A value must be written to this register after a reset. (When default setting is performed, a value must also be written to this register.) Only write once to this register; do not change the written value during operation.

This register is not initialized at a software reset.

Bit 2 to 0 CL (CAS Latency)

Sets the CAS latency. Write the same value as this field, to the mode register for SDRAM

011 CL3

010 CL2

Other than the above Setting disabled

Bit 3 ASW (Attached SDRAM bit Width)

Sets the bit width of the data bus (memory bus width mode)

1 64 bit

0 32 bit

Bit 6 to 4 SAW (SDRAM Address Width)

Sets the bit width of the SDRAM address

001 15 bit BANK 2 bit ROW 13 bit COL 9 bit SDRAM

111 14 bit BANK 2 bit ROW 12 bit COL 9 bit SDRAM

110 14 bit BANK 2 bit ROW 12 bit COL 8 bit SDRAM

101 13 bit BANK 2 bit ROW 11 bit COL 8 bit SDRAM

100 12 bit BANK 1 bit ROW 11 bit COL 8 bit FCRAM

Other than the above Setting disabled

Bit 9 to 7 RTS (Refresh Timing Setting)

Sets the refresh interval

000 Refresh is performed every 384 internal clocks.

111 Refresh is performed every 1552 internal clocks.

001 to 110 Refresh is performed every '64 × n' internal clocks in the 64 to 384 range.

Bit 11 and 10	LOWD	Sets the count of clocks secured for the period from the instant the ending data is output to the instant the write command is issued.
	10	2 clocks
	Other than the above	Setting disabled
Bit 13 and 12	TRCD	Sets the wait time secured from the bank active to CAS. The clock count is used to express the wait time.
	11	3 clocks
	10	2 clocks
	01	1 clock
	00	0 clock
Bit 16 to 14	TRAS	Sets the minimum time for 1 bank active. The clock count is used to express the minimum time.
	111	7 clocks
	110	6 clocks
	101	5 clocks
	100	4 clocks
	011	3 clocks
	010	2 clocks
	Other than the above	Setting disabled
Bit 18 and 17	TRP	Sets the wait time secured from the pre-charge to the bank active. The clock count is used to express the wait time.
	11	3 clocks
	10	2 clocks
	01	1 clock
Bit 22 to 19	TRC	This field sets the wait time secured from the refresh to the bank active. The clock count is used to express the wait time.
	1010	10 clocks
	1001	9 clocks
	1000	8 clocks
	0111	7 clocks
	0110	6 clocks
	0101	5 clocks
	0100	4 clocks

	0011	3 clocks
	Other than the above	Setting disabled
Bit 24 and 23	TRRD	
		Sets the wait time secured from the bank active to the next bank active. The clock count is used to express the wait time.
	11	3 clocks
	10	2 clocks
Bit 26	Reserved	
		Always write "0" at write. "1" is always read at read.
Bit 30	TWR	
		Sets the write recovery time (the time from the write command to the read or to the pre-charge command).
	1	2 clocks
	0	1 clock

10.2.4 Display control register

DCM (Display Control Mode)

Register address	DisplayBaseAddress + 00 _H (DisplayBaseAddress + 100 _H)															
Bit number	15	14	13	12	11	10	9	8	7	6	5	4	3	2	1	0
Bit field name	CKS	Reserved	Reserved	SC				EEQ	ODE	Reserved	Reserved	SF	ESY	SYNC		
R/W	RW	RW0	RX	RW				RW	RW	RX	RX	RW	RW	RW		
Initial value	0	0	X	11110				0	0	X	X	0	0	00		

This register controls the display count mode. It is not initialized by a software reset. This register is mapped to two addresses. The difference between the two registers is the format of the frequency division rate setting (SC).

Bit 1 to 0 SYNC (Synchronize)
 Set synchronization mode
 X0 Non-interlace mode
 10 Interlace mode
 11 Interlace video mode

Bit 2 ESY (External Synchronize)
 Sets external synchronization mode
 0: External synchronization disabled
 1: External synchronization enabled

Bit 3 SF (Synchronize signal output format)
 Sets format of synchronization (VSYNC, HSYNC) signals
 0: Negative logic output
 1: Positive logic output

Bit 7 EEQ (Enable Equalizing pulse)
 Sets CCYNC signal mode
 0: Does not insert equalizing pulse into CCYNC signal
 1: Inserts equalizing pulse into CCYNC signal

Bit 13 to 8 SC (Scaling)
 Divides display reference clock by the preset ratio to generate dot clock

Offset = 0	Offset = 100 _H
x00000 Frequency not divided	000000 Frequency not divided
x00001 Frequency division rate = 1/4	000001 Frequency division rate = 1/2
x00010 Frequency division rate = 1/6	000010 Frequency division rate = 1/3
X00011 Frequency division rate = 1/8	000011 Frequency division rate = 1/4
:	:
x11111 Frequency division rate = 1/64	111111 Frequency division rate = 1/64

When n is set, with Offset = 0, the frequency division rate is $1/(2n + 2)$.

When m is set, with Offset = 100h, the frequency division rate is $1/(m + 1)$.

Basically, these are setting parameters with the same function ($2n + 2 = m + 1$). Because of this, $m = 2n + 1$ is established. When n is set to the SC field with Offset = 0, $2n + 1$ is reflected with Offset = 100h.

Also, when PLL is selected as the reference clock, frequency division rates 1/1 to 1/5 are non-functional even when set; other frequency division rates are assigned.

- Bit 15 CKS (Clock Source)
Selects reference clock
- 0: Internal PLL output clock
 - 1: DCLKI input

DCE (Display Controller Enable)

Register address	DisplayBaseAddress + 02 _H															
Bit number	15	14	13	12	11	10	9	8	7	6	5	4	3	2	1	0
Bit field name	DEN	Reserved										L45E	L23E	L1E	L0E	
R/W	RW	R0										RW	RW	RW	RW	
Initial value	0	0										0	0	0	0	

This register controls enabling the video signal output and display of each layer. Layer enabling is specified in four-layer units to maintain backward compatibility with previous products.

- Bit 0** L0E (L0 layer Enable)

Enables display of the L0 layer. The L0 layer corresponds to the C layer for previous products.

0: Does not display L0 layer

1: Displays L0 layer

- Bit 1** L1E (L1 layer Enable)

Enables display of the L1 layer. The L1 layer corresponds to the W layer for previous products.

0: Does not display L1 layer

1: Displays L1 layer

- Bit 2** L23E (L2 & L3 layer Enable)

Enables simultaneous display of the L2 and L3 layers. These layers correspond to the M layer for previous products.

0: Does not display L2 and L3 layer

1: Displays L2 and L3 layer

- Bit 3** L45E (L4 & L5 layer Enable)

Enables simultaneous display of the L4 and L5 layers. These layers correspond to the B layer for previous products.

0: Does not display L4 and L5 layer

1: Displays L4 and L5 layer

- Bit 15** DEN (Display Enable)

Enables display

0: Does not output display signal

1: Outputs display signal

DCEE (Display Controller Extend Enable)

Register address	DisplayBaseAddress + 102H																
Bit number	15	14	13	12	11	10	9	8	7	6	5	4	3	2	1	0	
Bit field name	DEN	Reserved										L5E	L4E	L3E	L2E	L1E	L0E
R/W	RW	R0										RW	RW	RW	RW	RW	RW
Initial value	0	0										0	0	0	0	0	0

This register controls enabling the video signal output and display of each layer. This register has the same function as DCE.

- Bit 0 L0E (L0 layer Enable)
 Enables L0 layer display
 0: Does not display L0 layer
 1: Displays L0 layer
- Bit 1 L1E (L1 layer Enable)
 Enables L1 layer display
 0: Does not display L1 layer
 1: Displays L1 layer
- Bit 2 L2E (L2 layer Enable)
 Enables L2 layer display
 0: Does not display L2 layer
 1: Displays L2 layer
- Bit 3 L3E (L3 layer Enable)
 Enables L3 layer display
 0: Does not display L3 layer
 1: Displays L3 layer
- Bit 4 L4E (L4 layer Enable)
 Enables L4 layer display
 0: Does not display L4 layer
 1: Displays L4 layer
- Bit 5 L5E (L5 layer Enable)
 Enables L5 layer display
 0: Does not display L5 layer
 1: Displays L5 layer
- Bit 15 DEN (Display Enable)
 Enables display
 0: Does not output display signal
 1: Outputs display signal

HTP (Horizontal Total Pixels)

Register address	DisplayBaseAddress + 06 _H															
Bit number	15	14	13	12	11	10	9	8	7	6	5	4	3	2	1	0
Bit field name	Reserved				HTP											
R/W	R0				RW											
Initial value	0				Don't care											

This register controls the horizontal total pixel count. Setting value + 1 is the total pixel count.

HDP (Horizontal Display Period)

Register address	DisplayBaseAddress + 08 _H															
Bit number	15	14	13	12	11	10	9	8	7	6	5	4	3	2	1	0
Bit field name	Reserved				HDP											
R/W	R0				RW											
Initial value	0				Don't care											

This register controls the total horizontal display period in unit of pixel clocks. Setting value + 1 is the pixel count for the display period.

HDB (Horizontal Display Boundary)

Register address	DisplayBaseAddress + 0A _H															
Bit number	15	14	13	12	11	10	9	8	7	6	5	4	3	2	1	0
Bit field name	Reserved				HDB											
R/W	R0				RW											
Initial value	0				Don't care											

This register controls the display period of the left part of the window in unit of pixel clocks. Setting value + 1 is the pixel count for the display period of the left part of the window. When the window is not divided into right and left before display, set the same value as HDP.

HSP (Horizontal Synchronize pulse Position)

Register address	DisplayBaseAddress + 0C _H															
Bit number	15	14	13	12	11	10	9	8	7	6	5	4	3	2	1	0
Bit field name	Reserved				HSP											
R/W	R0				RW											
Initial value	0				Don't care											

This register controls the pulse position of the horizontal synchronization signal in unit of pixel clocks. When the clock count since the start of the display period reaches setting value + 1, the horizontal synchronization signal is asserted.

HSW (Horizontal Synchronize pulse Width)

Register address	DisplayBaseAddress + 0E _H							
Bit number	7	6	5	4	3	2	1	0
Bit field name	HSW							
R/W	RW							
Initial value	Don't care							

This register controls the pulse width of the horizontal synchronization signal in unit of pixel clocks. Setting value + 1 is the pulse width clock count.

VSW (Vertical Synchronize pulse Width)

Register address	DisplayBaseAddress + 0F _H							
Bit number	7	6	5	4	3	2	1	0
Bit field name	Reserved				VSW			
R/W	R0				RW			
Initial value	0				Don't care			

This register controls the pulse width of vertical synchronization signal in unit of raster. Setting value + 1 is the pulse width raster count.

VTR (Vertical Total Rasters)

Register address	DisplayBaseAddress + 12 _H															
Bit number	15	14	13	12	11	10	9	8	7	6	5	4	3	2	1	0
Bit field name	Reserved				VTR											
R/W	R0				RW											
Initial value	0				Don't care											

This register controls the vertical total raster count. Setting value + 1 is the total raster count. For the interlace display, Setting value + 1.5 is the total raster count for 1 field; $2 \times$ setting value + 3 is the total raster count for 1 frame (see **Section 8.3.2**).

VSP (Vertical Synchronize pulse Position)

Register address	DisplayBaseAddress + 14 _H															
Bit number	15	14	13	12	11	10	9	8	7	6	5	4	3	2	1	0
Bit field name	Reserved				VSP											
R/W	R0				RW											
Initial value	0				Don't care											

This register controls the pulse position of vertical synchronization signal in unit of raster. The vertical synchronization pulse is asserted starting at the setting value + 1st raster relative to the display start raster.

VDP (Vertical Display Period)

Register address	DisplayBaseAddress + 16 _H															
Bit number	15	14	13	12	11	10	9	8	7	6	5	4	3	2	1	0
Bit field name	Reserved				VDP											
R/W	R0				RW											
Initial value	0				Don't care											

This register controls the vertical display period in unit of raster. Setting value + 1 is the count of raster to be displayed.

L0M (L0 layer Mode)

Register address	DisplayBaseAddress + 20 _H																															
Bit number	31	30	29	28	27	26	25	24	23	22	21	20	19	18	17	16	15	14	13	12	11	10	9	8	7	6	5	4	3	2	1	0
Bit field name	L0C	Reserved		Reserved				CW				Reserved				CH																
R/W	RW	R0		R0				RW				R0				RW																
Initial value	0	0		0				Don't care				0				Don't care																

Bit 11 to 0 L0H (L0 layer Height)
 Specifies the height of the logic frame of the L0 layer in pixel units. Setting value + 1 is the height

Bit 23 to 16 L0W (L0 layer memory Width)
 Sets the memory width (stride) of the logic frame of the L0 layer in 64-byte units

Bit 31 L0C (L0 layer Color mode)
 Sets the color mode for L0 layer
 0 Indirect color (8 bits/pixel) mode
 1 Direct color (16 bits/pixel) mode

L0EM (L0-layer Extended Mode)

Register address	DisplayBaseAddress + 110 _H																															
Bit number	31	30	29	28	27	26	25	24	23	22	21	20	19	18	17	16	15	14	13	12	11	10	-----	4	3	2	1	0				
Bit field name	L0EC		Reserved				LOPB				Reserved												L0WP									
R/W	RW		R0				RW				R0												RW									
Initial value			0								0												0									

Bit 0 L0 WP (L0 layer Window Position enable)
 Selects the display position of L0 layer
 0 Compatibility mode display (C layer supported)
 1 Window display

Bit 23 to 20 L0PB (L0 layer Palette Base)
 Shows the value added to the index when subtracting palette of L0 layer. 16 times of setting value is added.

Bit 31 and 30 L0EC (L0 layer Extended Color mode)
 Sets extended color mode for L0 layer
 00 Mode determined by L0C
 01 Direct color (24 bits/pixel) mode
 1x Reserved

L0OA (L0 layer Origin Address)

Register address	DisplayBaseAddress + 24 _H																															
Bit number	31	30	29	28	27	26	25	24	23	22	21	20	19	18	17	16	15	14	13	12	11	10	9	8	7	6	5	4	3	2	1	0
Bit field name	Reserved				L0OA																											
R/W	R0				RW																											
Initial value	0				Don't care																								R0			

This register sets the origin address of the logic frame of the L0 layer. Since lower 4 bits are fixed at "0", address 16-byte-aligned.

L0DA (L0-layer Display Address)

Register address	DisplayBaseAddress + 28 _H																															
Bit number	31	30	29	28	27	26	25	24	23	22	21	20	19	18	17	16	15	14	13	12	11	10	9	8	7	6	5	4	3	2	1	0
Bit field name	Reserved				L0DA																											
R/W	R0				RW																											
Initial value	0				Don't care																											

This register sets the display origin address of the L0 layer. For the direct color mode (16 bits/pixel), the lower 1 bit is "0", and this address is treated as being aligned in 2 bytes.

L0DX (L0-layer Display position X)

Register address	DisplayBaseAddress + 2C _H															
Bit number	15	14	13	12	11	10	9	8	7	6	5	4	3	2	1	0
Bit field name	Reserved				L0DX											
R/W	R0				RW											
Initial value	0				Don't care											

This register sets the display starting position (X coordinates) of the L0 layer on the basis of the origin of the logic frame in pixels.

L0DY (L0-layer Display position Y)

Register address	DisplayBaseAddress + 2E _H															
Bit number	15	14	13	12	11	10	9	8	7	6	5	4	3	2	1	0
Bit field name	Reserved				L0DY											
R/W	R0				RW											
Initial value	0				Don't care											

This register sets the display starting position (Y coordinates) of the L0 layer on the basis of the origin of the logic frame in pixels.

LOWX (L0 layer Window position X)

Register address	DisplayBaseAddress + 114 _H															
Bit number	15	14	13	12	11	10	9	8	7	6	5	4	3	2	1	0
Bit field name	Reserved				LOWX											
R/W	R0				RW											
Initial value	0															

This register sets the X coordinates of the display position of the L0 layer window.

LOWY (L0 layer Window position Y)

Register address	DisplayBaseAddress + 116 _H															
Bit number	15	14	13	12	11	10	9	8	7	6	5	4	3	2	1	0
Bit field name	Reserved				LOWY											
R/W	R0				RW											
Initial value	0															

This register sets the Y coordinates of the display position of the L0 layer window.

LOWW (L0 layer Window Width)

Register address	DisplayBaseAddress + 118 _H															
Bit number	15	14	13	12	11	10	9	8	7	6	5	4	3	2	1	0
Bit field name	Reserved				LOWW											
R/W	R0				RW											
Initial value	0				Don't care											

This register controls the horizontal direction display size (width) of the L0 layer window. Do not specify "0".

LOWH (L0 layer Window Height)

Register address	DisplayBaseAddress + 11A _H															
Bit number	15	14	13	12	11	10	9	8	7	6	5	4	3	2	1	0
Bit field name	Reserved				LOWH											
R/W	R0				RW											
Initial value	0				Don't care											

This register controls the vertical direction display size (height) of the L0 layer window. Setting value + 1 is the height.

L1M (L1-layer Mode)

Register address	DisplayBaseAddress + 30 _H																												
Bit number	31	30	29	28	27	26	25	24	23	22	21	20	19	18	17	16	15	14	13	12	11	10	---	5	4	3	2	1	0
Bit field name	L1C	L1YC	L1CS	L1IM	Reserved				L1W								Reserved												
R/W																	R0												
Initial value																	0												

- Bit 23 to 16 L1W (L1 layer memory Width)
 Sets the memory width (stride) of the logic frame of the W layer in unit of 64 bytes
- Bit 28 L1IM (L1 layer Interlace Mode)
 Sets video capture mode when L1CS in capture mode
 0: Normal mode
 1: For non-interlace display, displays captured video graphics in WEAVE mode
 For interlace and video display, buffers are managed in frame units (pair of odd field and even field).
- Bit 29 L1CS (L1 layer Capture Synchronize)
 Sets whether the layer is used as normal display layer or as video capture
 0: Normal mode
 1: Capture mode
- Bit 30 L1YC (L1 layer YC mode)
 Sets color format of L1 layer
 The YC mode must be set for video capture.
 0: RGB mode
 1: YC mode
- Bit 31 L1C (L1 layer Color mode)
 Sets color mode for L1 layer
 0: Indirect color (8 bits/pixel) mode
 1: Direct color (16 bits/pixel) mode

L1EM (L1 layer Extended Mode)

Register address	DisplayBaseAddress + 120 _H																											
Bit number	31	30	29	28	27	26	25	24	23	22	21	20	19	18	17	16	15	14	13	12	11	10	---	4	3	2	1	0
Bit field name	L0EC		Reserved					LOPB			Reserved																	
R/W	RW		R0					RW			R0																	
Initial value			0								0																	

Bit 23 to 20 L1PB (L1 layer Palette Base)
Shows the value added to the index when subtracting palette of L1 layer. 16 times of setting value is added.

Bit 31 to 30 L1EC (L1 layer Extended Color mode)
Sets extended color mode for L1 layer
00 Mode determined by LOC
01 Direct color (24 bits/pixel) mode
1x Reserved

L1DA (L1 layer Display Address)

Register address	DisplayBaseAddress + 34 _H																															
Bit number	31	30	29	28	27	26	25	24	23	22	21	20	19	18	17	16	15	14	13	12	11	10	9	8	7	6	5	4	3	2	1	0
Bit field name	Reserved								LODA																							
R/W	R0								RW																							
Initial value	0								Don't care																							

This register sets the display origin address of the L1 layer. For the direct color mode (16 bits/pixel), the lower 1 bit is "0", and this register is treated as being aligned in 2 bytes. Wraparound processing is not performed for the L1 layer, so the frame origin linear address and display position (X coordinates, and Y coordinates) are not specified.

L1WX (L1 layer Window position X)

Register address	DisplayBaseAddress + 124 _H (DisplayBaseAddress + 18 _H)															
Bit number	15	14	13	12	11	10	9	8	7	6	5	4	3	2	1	0
Bit field name	Reserved								LOWX							
R/W	R0								RW							
Initial value	0								Don't care							

This register sets the X coordinates of the display position of the L1 layer window. This register is placed in two address spaces. The parenthesized address is the register address to maintain compatibility with previous products. The same applies to L1WY, L1WW, and L1WH.

L1WY (L1 layer Window position Y)

Register address	DisplayBaseAddress + 126 _H (DisplayBaseAddress + 1A _H)															
Bit number	15	14	13	12	11	10	9	8	7	6	5	4	3	2	1	0
Bit field name	Reserved								LOWY							
R/W	R0								RW							
Initial value	0								Don't care							

This register sets the Y coordinates of the display position of the L1 layer window.

L1WW (L1 layer Window Width)

Register address	DisplayBaseAddress + 128 _H (DisplayBaseAddress + 1C _H)															
Bit number	15	14	13	12	11	10	9	8	7	6	5	4	3	2	1	0
Bit field name	Reserved				LOWW											
R/W	R0				RW											
Initial value	0				Don't care											

This register controls the horizontal direction display size (width) of the L1 layer window. Do not specify "0".

L1WH (L1 layer Window Height)

Register address	DisplayBaseAddress + 12A _H ((DisplayBaseAddress + 1E _H))															
Bit number	15	14	13	12	11	10	9	8	7	6	5	4	3	2	1	0
Bit field name	Reserved				LOWH											
R/W	R0				RW											
Initial value	0				Don't care											

This register controls the vertical direction display size (height) of the L1 layer window. Setting value + 1 is the height.

L2M (L2 layer Mode)

Register address	DisplayBaseAddress + 40H																															
Bit number	31	30	29	28	27	--	24	23	22	21	20	19	18	17	16	15	14	13	12	11	10	9	8	7	6	5	4	3	2	1	0	
Bit field name	L2C	L2FLP		Reserved				L2W								Reserved				L2H												
R/W	RW	RW		R0				RW								R0				RW												
Initial value				0				Don't care								0				Don't care												

Bit 11 to 0 L2H (L2 layer Height)
 Specifies the height of the logic frame of the L2 layer in pixel units. Setting value + 1 is the height

Bit 23 to 16 L2W (L2 layer memory Width)
 Sets the memory width (stride) of the logic frame of the L2 layer in 64-byte units

Bit 30 and 29 L2FLP (L2 layer Flip mode)
 Sets flipping mode for L2 layer

- 00 Displays frame 0
- 01 Displays frame 1
- 10 Switches frame 0 and 1 alternately for display
- 11 Reserved

Bit 31 L2C (L2 layer Color mode)
 Sets the color mode for L2 layer

- 0 Indirect color (8 bits/pixel) mode
- 1 Direct color (16 bits/pixel) mode

L2EM (L2 layer Extended Mode)

Register address	DisplayBaseAddress + 130 _H																											
Bit number	31	30	29	28	27	26	25	24	23	22	21	20	19	18	17	16	15	14	13	12	11	10	-----	4	3	2	1	0
Bit field name	L2EC		Reserved						L2PB				Reserved										L2OM	LOWP				
R/W	RW		R0						RW				R0										RW	RW				
Initial value	00		0						0				0											0				

- Bit 0 L2 WP (L2 layer Window Position enable)
 Selects the display position of L2 layer
 0 Compatibility mode display (ML layer supported)
 1 Window display

- Bit 1 L2OM (L2 layer Overlay Mode)
 Selects the overlay mode for L2 layer
 0 Compatibility mode
 1 Extended mode

- Bit 23 to 20 L2PB (L2 layer Palette Base)
 Shows the value added to the index when subtracting palette of L2 layer. 16 times of setting value is added.

- Bit 31 and 30 L2EC (L2 layer Extended Color mode)
 Sets extended color mode for L2 layer
 00 Mode determined by L2C
 01 Direct color (24 bits/pixel) mode
 1x Reserved

L2OA0 (L2 layer Origin Address 0)

Register address	DisplayBaseAddress + 44 _H																															
Bit number	31	30	29	28	27	26	25	24	23	22	21	20	19	18	17	16	15	14	13	12	11	10	9	8	7	6	5	4	3	2	1	0
Bit field name	Reserved				L2OA0																											
R/W	R0				RW																								R0			
Initial value	0				Don't care																								0000			

This register sets the origin address of the logic frame of the L2 layer in frame 0. Since lower 4 bits are fixed to “0”, this address is 16-byte aligned.

L2DA0 (L2 layer Display Address 0)

Register address	DisplayBaseAddress + 48 _H																															
Bit number	31	30	29	28	27	26	25	24	23	22	21	20	19	18	17	16	15	14	13	12	11	10	9	8	7	6	5	4	3	2	1	0
Bit field name	Reserved				L2DA0																											
R/W	R0				RW																											
Initial value	0				Don't care																											

This register sets the origin address of the L2 layer in frame 0. For the direct color mode (16 bits/pixel), the lower 1 bit is “0” and this address is 2-byte aligned.

L2OA1 (L2 layer Origin Address 1)

Register address	DisplayBaseAddress + 4C _H																															
Bit number	31	30	29	28	27	26	25	24	23	22	21	20	19	18	17	16	15	14	13	12	11	10	9	8	7	6	5	4	3	2	1	0
Bit field name	Reserved				L2OA1																											
R/W	R0				RW																								R0			
Initial value	0				Don't care																								0000			

This register sets the origin address of the logic frame of the L2 layer in frame 1. Since lower 4-bits are fixed to “0”, this address is 16-byte aligned.

L2DA1 (L2 layer Display Address 1)

Register address	DisplayBaseAddress + 50 _H																															
Bit number	31	30	29	28	27	26	25	24	23	22	21	20	19	18	17	16	15	14	13	12	11	10	9	8	7	6	5	4	3	2	1	0
Bit field name	Reserved				L2DA1																											
R/W	R0				RW																											
Initial value	0				Don't care																											

This register sets the origin address of the L2 layer in frame 1. For the direct color mode (16 bits/pixel), the lower 1 bit is “0” and this address is 2-byte aligned.

L2DX (L2 layer Display position X)

Register address	DisplayBaseAddress + 54 _H															
Bit number	15	14	13	12	11	10	9	8	7	6	5	4	3	2	1	0
Bit field name	Reserved				L2DX											
R/W	R0				RW											
Initial value	0				Don't care											

This register sets the display starting position (X coordinates) of the L2 layer on the basis of the origin of the logic frame in pixels.

L2DY (L2 layer Display position Y)

Register address	DisplayBaseAddress + 56 _H															
Bit number	15	14	13	12	11	10	9	8	7	6	5	4	3	2	1	0
Bit field name	Reserved				L2DY											
R/W	R0				RW											
Initial value	0				Don't care											

This register sets the display starting position (Y coordinates) of the L2 layer on the basis of the origin of the logic frame in pixels.

L2WX (L2 layer Window position X)

Register address	DisplayBaseAddress + 134 _H															
Bit number	15	14	13	12	11	10	9	8	7	6	5	4	3	2	1	0
Bit field name	Reserved				L2WX											
R/W	R0				RW											
Initial value	0				Don't care											

This register sets the X coordinates of the display position of the L2 layer window.

L2WY (L2 layer Window position Y)

Register address	DisplayBaseAddress + 138 _H															
Bit number	15	14	13	12	11	10	9	8	7	6	5	4	3	2	1	0
Bit field name	Reserved				L2WY											
R/W	R0				RW											
Initial value	0				Don't care											

This register sets the Y coordinates of the display position of the L2 layer window.

L2WW (L2 layer Window Width)

Register address	DisplayBaseAddress + 13A _H															
Bit number	15	14	13	12	11	10	9	8	7	6	5	4	3	2	1	0
Bit field name	Reserved				L2WW											
R/W	R0				RW											
Initial value	0				Don't care											

This register controls the horizontal direction display size (width) of the L2 layer window. Do not specify "0".

L2WH (L2 layer Window Height)

Register address	DisplayBaseAddress + 13C _H															
Bit number	15	14	13	12	11	10	9	8	7	6	5	4	3	2	1	0
Bit field name	Reserved				L2WH											
R/W	R0				RW											
Initial value	0				Don't care											

This register controls the vertical direction display size (height) of the L2 layer window. Setting value + 1 is the height.

L3M (L3 layer Mode)

Register address	DisplayBaseAddress + 58 _H																															
Bit number	31	30	29	28	27	26	25	24	23	22	21	20	19	18	17	16	15	14	13	12	11	10	9	8	7	6	5	4	3	2	1	0
Bit field name	L3C	L3FLP		Reserved								L3W				Reserved				L3H												
R/W	RW	R0		R0								RW				R0				RW												
Initial value	0	0		0								Don't care				0				Don't care												

Bit 11 to 0 L3H (L3 layer Height)
 Specifies the height of the logic frame of the L3 layer in pixel units. Setting value + 1 is the height

Bit 23 to 16 L3W (L3 layer memory Width)
 Sets the memory width (stride) of the logic frame of the L3 layer in 64-byte units

Bit 30 and 29 L3FLP (L3 layer Flip mode)
 Sets flipping mode for L3 layer

- 00 Displays frame 0
- 01 Displays frame 1
- 10 Switches frame 0 and 1 alternately for display
- 11 Reserved

Bit 31 L3C (L3 layer Color mode)
 Sets the color mode for L3 layer

- 0 Indirect color (8 bits/pixel) mode
- 1 Direct color (16 bits/pixel) mode

L3EM (L3 layer Extended Mode)

Register address	DisplayBaseAddress + 140 _H																											
Bit number	31	30	29	28	27	26	25	24	23	22	21	20	19	18	17	16	15	14	13	12	11	10	---	4	3	2	1	0
Bit field name	L3EC		Reserved						L3PB						Reserved						L3OM	L3WP						
R/W	RW		R0						RW						R0						RW	RW						
Initial value	00		0						0						0							0						

- Bit 0 L3 WP (L3 layer Window Position enable)
 Selects the display position of L3 layer
 0 Compatibility mode display (MR layer supported)
 1 Window display

- Bit 1 L3OM (L3 layer Overlay Mode)
 Selects the overlay mode for L3 layer
 0 Compatibility mode
 1 Extended mode

- Bit 23 to 20 L3PB (L3 layer Palette Base)
 Shows the value added to the index when subtracting palette of L3 layer. 16 times of setting value is added.

- Bit 31 and 30 L3EC (L3 layer Extended Color mode)
 Sets extended color mode for L3 layer
 00 Mode determined by L3C
 01 Direct color (24 bits/pixel) mode
 1x Reserved

L3OA0 (L3 layer Origin Address 0)

Register address	DisplayBaseAddress + 5C _H																															
Bit number	31	30	29	28	27	26	25	24	23	22	21	20	19	18	17	16	15	14	13	12	11	10	9	8	7	6	5	4	3	2	1	0
Bit field name	Reserved				L3OA0																											
R/W	R0				RW																								R0			
Initial value	0				Don't care																								0000			

This register sets the origin address of the logic frame of the L3 layer in frame 0. Since lower 4 bits are fixed to “0”, this address is 16-byte aligned.

L3DA0 (L3 layer Display Address 0)

Register address	DisplayBaseAddress + 60 _H																															
Bit number	31	30	29	28	27	26	25	24	23	22	21	20	19	18	17	16	15	14	13	12	11	10	9	8	7	6	5	4	3	2	1	0
Bit field name	Reserved				L3DA0																											
R/W	R0				RW																								R0			
Initial value	0				Don't care																											

This register sets the origin address of the L3 layer in frame 0. For the direct color mode (16 bits/pixel), the lower 1 bit is “0” and this address is 2-byte aligned.

L3OA1 (L3 layer Origin Address 1)

Register address	DisplayBaseAddress + 64 _H																															
Bit number	31	30	29	28	27	26	25	24	23	22	21	20	19	18	17	16	15	14	13	12	11	10	9	8	7	6	5	4	3	2	1	0
Bit field name	Reserved				L3OA1																											
R/W	R0				RW																								R0			
Initial value	0				Don't care																								0000			

This register sets the origin address of the logic frame of the L3 layer in frame 1. Since lower 4-bits are fixed to “0”, this address is 16-byte aligned.

L3DA1 (L3 layer Display Address 1)

Register address	DisplayBaseAddress + 68 _H																															
Bit number	31	30	29	28	27	26	25	24	23	22	21	20	19	18	17	16	15	14	13	12	11	10	9	8	7	6	5	4	3	2	1	0
Bit field name	Reserved				L3DA1																											
R/W	R0				RW																								R0			
Initial value	0				Don't care																											

This register sets the origin address of the L3 layer in frame 1. For the direct color mode (16 bits/pixel), the lower 1 bit is “0” and this address is 2-byte aligned.

L3DX (L3 layer Display position X)

Register address	DisplayBaseAddress + 6C _H															
Bit number	15	14	13	12	11	10	9	8	7	6	5	4	3	2	1	0
Bit field name	Reserved				L3DX											
R/W	R0				RW											
Initial value	0				Don't care											

This register sets the display starting position (X coordinates) of the L3 layer on the basis of the origin of the logic frame in pixels.

L3DY (L3 layer Display position Y)

Register address	DisplayBaseAddress + 6E _H															
Bit number	15	14	13	12	11	10	9	8	7	6	5	4	3	2	1	0
Bit field name	Reserved				L3DY											
R/W	R0				RW											
Initial value	0				Don't care											

This register sets the display starting position (Y coordinates) of the L3 layer on the basis of the origin of the logic frame in pixels.

L3WX (L3 layer Window position X)

Register address	DisplayBaseAddress + 140 _H															
Bit number	15	14	13	12	11	10	9	8	7	6	5	4	3	2	1	0
Bit field name	Reserved				L3WX											
R/W	R0				RW											
Initial value	0				Don't care											

This register sets the X coordinates of the display position of the L3 layer window.

L3WY (L3 layer Window position Y)

Register address	DisplayBaseAddress + 142 _H															
Bit number	15	14	13	12	11	10	9	8	7	6	5	4	3	2	1	0
Bit field name	Reserved				L3WY											
R/W	R0				RW											
Initial value	0				Don't care											

This register sets the Y coordinates of the display position of the L3 layer window.

L3WW (L3 layer Window Width)

Register address	DisplayBaseAddress + 144 _H															
Bit number	15	14	13	12	11	10	9	8	7	6	5	4	3	2	1	0
Bit field name	Reserved				L3WW											
R/W	R0				RW											
Initial value	0				Don't care											

This register controls the horizontal direction display size (width) of the L3 layer window. Do not specify "0".

L3WH (L3-layer Window Height)

Register address	DisplayBaseAddress + 146 _H															
Bit number	15	14	13	12	11	10	9	8	7	6	5	4	3	2	1	0
Bit field name	Reserved				L3WH											
R/W	R0				RW											
Initial value	0				Don't care											

This register controls the vertical direction display size (height) of the L3 layer window. Setting value + 1 is the height.

L4M (L4 layer Mode)

Register address	DisplayBaseAddress + 70 _H																															
Bit number	31	30	29	28	27	26	25	24	23	22	21	20	19	18	17	16	15	14	13	12	11	10	9	8	7	6	5	4	3	2	1	0
Bit field name	L4C	L4FLP		Reserved				L4W								Reserved				L4H												
R/W	RW	RW		R0				RW								R0				RW												
Initial value				0				Don't care								0				Don't care												

Bit 11 to 0 L4H (L4 layer Height)
 Specifies the height of the logic frame of the L4 layer in pixel units. Setting value + 1 is the height

Bit 23 to 16 L4W (L4 layer memory Width)
 Sets the memory width (stride) logic frame of the L4 layer in 64-byte units

Bit 30 and 29 L4FLP (L4 layer Flip mode)
 Sets flipping mode for L4 layer

- 00 Displays frame 0
- 01 Displays frame 1
- 10 Switches frame 0 and 1 alternately for display
- 11 Reserved

Bit 31 L4C (L4 layer Color mode)
 Sets the color mode for L4 layer

- 0 Indirect color (8 bits/pixel) mode
- 1 Direct color (16 bits/pixel) mode

L4EM (L4 layer Extended Mode)

Register address	DisplayBaseAddress + 150 _H																											
Bit number	31	30	29	28	27	26	25	24	23	22	21	20	19	18	17	16	15	14	13	12	11	10	---	4	3	2	1	0
Bit field name	L4EC		Reserved						L4PB						Reserved						L4OM	L4WP						
R/W	RW		R0						RW						R0						RW	RW						
Initial value	00		0						0						0							0						

- Bit 0 L4 WP (L4 layer Window Position enable)
 Selects the display position of L4 layer
 0 Compatibility mode display (BL layer supported)
 1 Window display

- Bit 1 L4OM (L4 layer Overlay Mode)
 Selects the overlay mode for L4 layer
 0 Compatibility mode
 1 Extended mode

- Bit 23 to 20 L4PB (L4 layer Palette Base)
 Shows the value added to the index when subtracting palette of L4 layer. 16 times of setting value is added.

- Bit 31 and 30 L4EC (L4 layer Extended Color mode)
 Sets extended color mode for L4 layer
 00 Mode determined by L4C
 01 Direct color (24 bits/pixel) mode
 1x Reserved

L4OA0 (L4 layer Origin Address 0)

Register address	DisplayBaseAddress + 74 _H																															
Bit number	31	30	29	28	27	26	25	24	23	22	21	20	19	18	17	16	15	14	13	12	11	10	9	8	7	6	5	4	3	2	1	0
Bit field name	Reserved				L4OA0																											
R/W	R0				RW																								R0			
Initial value	0				Don't care																								0000			

This register sets the origin address of the logic frame of the L4 layer in frame 0. Since lower 4 bits are fixed to “0”, this address is 16-byte aligned.

L4DA0 (L4 layer Display Address 0)

Register address	DisplayBaseAddress + 78 _H																															
Bit number	31	30	29	28	27	26	25	24	23	22	21	20	19	18	17	16	15	14	13	12	11	10	9	8	7	6	5	4	3	2	1	0
Bit field name	Reserved				L4DA0																											
R/W	R0				RW																								R0			
Initial value	0				Don't care																											

This register sets the origin address of the L4 layer in frame 0. For the direct color mode (16 bits/pixel), the lower 1 bit is “0” and this address is 2-byte aligned.

L4OA1 (L4 layer Origin Address 1)

Register address	DisplayBaseAddress + 7C _H																															
Bit number	31	30	29	28	27	26	25	24	23	22	21	20	19	18	17	16	15	14	13	12	11	10	9	8	7	6	5	4	3	2	1	0
Bit field name	Reserved				L4OA1																											
R/W	R0				RW																								R0			
Initial value	0				Don't care																								0000			

This register sets the origin address of the logic frame of the L4 layer in frame 1. Since lower 4-bits are fixed to “0”, this address is 16-byte aligned.

L4DA1 (L4 layer Display Address 1)

Register address	DisplayBaseAddress + 80 _H																															
Bit number	31	30	29	28	27	26	25	24	23	22	21	20	19	18	17	16	15	14	13	12	11	10	9	8	7	6	5	4	3	2	1	0
Bit field name	Reserved				L4DA1																											
R/W	R0				RW																								R0			
Initial value	0				Don't care																											

This register sets the origin address of the L4 layer in frame 1. For the direct color mode (16 bits/pixel), the lower 1 bit is “0” and this address is 2-byte aligned.

L4DX (L4 layer Display position X)

Register address	DisplayBaseAddress + 84 _H															
Bit number	15	14	13	12	11	10	9	8	7	6	5	4	3	2	1	0
Bit field name	Reserved				L4DX											
R/W	R0				RW											
Initial value	0				Don't care											

This register sets the display starting position (X coordinates) of the L4 layer on the basis of the origin of the logic frame in pixels.

L4DY (L4 layer Display position Y)

Register address	DisplayBaseAddress + 86 _H															
Bit number	15	14	13	12	11	10	9	8	7	6	5	4	3	2	1	0
Bit field name	Reserved				L4DY											
R/W	R0				RW											
Initial value	0				Don't care											

This register sets the display starting position (Y coordinates) of the L4 layer on the basis of the origin of the logic frame in pixels.

L4WX (L4 layer Window position X)

Register address	DisplayBaseAddress + 154 _H															
Bit number	15	14	13	12	11	10	9	8	7	6	5	4	3	2	1	0
Bit field name	Reserved				L4WX											
R/W	R0				RW											
Initial value	0				Don't care											

This register sets the X coordinates of the display position of the L4 layer window.

L4WY (L4 layer Window position Y)

Register address	DisplayBaseAddress + 156 _H															
Bit number	15	14	13	12	11	10	9	8	7	6	5	4	3	2	1	0
Bit field name	Reserved				L4WY											
R/W	R0				RW											
Initial value	0				Don't care											

This register sets the Y coordinates of the display position of the L4 layer window.

L4WW (L4 layer Window Width)

Register address	DisplayBaseAddress + 158 _H															
Bit number	15	14	13	12	11	10	9	8	7	6	5	4	3	2	1	0
Bit field name	Reserved				L4WW											
R/W	R0				RW											
Initial value	0				Don't care											

This register controls the horizontal direction display size (width) of the L4 layer window. Do not specify "0".

L4WH (L4 layer Window Height)

Register address	DisplayBaseAddress + 15A _H															
Bit number	15	14	13	12	11	10	9	8	7	6	5	4	3	2	1	0
Bit field name	Reserved				L4WH											
R/W	R0				RW											
Initial value	0				Don't care											

This register controls the vertical direction display size (height) of the L4 layer window. Setting value + 1 is the height.

L5M (L5 layer Mode)

Register address	DisplayBaseAddress + 88 _H																																		
Bit number	31	30	29	28	27	26	25	24	23	22	21	20	19	18	17	16	15	14	13	12	11	10	9	8	7	6	5	4	3	2	1	0			
Bit field name	L5C	L5FLP		Reserved				L5W								Reserved				L5H															
R/W	RW	RW		R0				RW								R0				RW															
Initial value				0				Don't care								0				Don't care															

Bit 11 to 0 L5H (L5 layer Height)
 Specifies the height of the logic frame of the L5 layer in pixel units. Setting value + 1 is the height

Bit 23 to 16 L5W (L5 layer memory Width)
 Sets the memory width (stride) logic frame of the L5 layer in 64-byte units

Bit 30 and 29 L5FLP (L5 layer Flip mode)
 Sets flipping mode for L5 layer

- 00 Displays frame 0
- 01 Displays frame 1
- 10 Switches frame 0 and 1 alternately for display
- 11 Reserved

Bit 31 L5C (L5 layer Color mode)
 Sets the color mode for L5 layer

- 0 Indirect color (8 bits/pixel) mode
- 1 Direct color (16 bits/pixel) mode

L5EM (L5 layer Extended Mode)

Register address	DisplayBaseAddress + 110 _H																											
Bit number	31	30	29	28	27	26	25	24	23	22	21	20	19	18	17	16	15	14	13	12	11	10	---	4	3	2	1	0
Bit field name	L5EC		Reserved						L5PB				Reserved										L5OM	L5WP				
R/W	RW		R0						RW				R0										RW	RW				
Initial value	00		0						0				0											0				

- Bit 0 L5 WP (L5 layer Window Position enable)
 Selects the display position of L5 layer
 0 Compatibility mode display (BR layer supported)
 1 Window display

- Bit 1 L5OM (L5 layer Overlay Mode)
 Selects the overlay mode for L5 layer
 0 Compatibility mode
 1 Extended mode

- Bit 23 to 20 L5PB (L5 layer Palette Base)
 Shows the value added to the index when subtracting palette of L5 layer. 16 times of setting value is added.

- Bit 31 to 30 L5EC (L5 layer Extended Color mode)
 Sets extended color mode for L5 layer
 00 Mode determined by L5C
 01 Direct color (24 bits/pixel) mode
 1x Reserved

L5OA0 (L5 layer Origin Address 0)

Register address	DisplayBaseAddress + 8C _H																															
Bit number	31	30	29	28	27	26	25	24	23	22	21	20	19	18	17	16	15	14	13	12	11	10	9	8	7	6	5	4	3	2	1	0
Bit field name	Reserved				BROA0																											
R/W	R0				RW																								R0			
Initial value	0				Don't care																								0000			

This register sets the origin address of the logic frame of the L5 layer in frame 0. Since lower 4 bits are fixed to “0”, this address is 16-byte aligned.

L5DA0 (L5 layer Display Address 0)

Register address	DisplayBaseAddress + 90 _H																															
Bit number	31	30	29	28	27	26	25	24	23	22	21	20	19	18	17	16	15	14	13	12	11	10	9	8	7	6	5	4	3	2	1	0
Bit field name	Reserved				L5DA0																											
R/W	R0				RW																								R0			
Initial value	0				Don't care																								0000			

This register sets the origin address of the L5 layer in frame 0. For the direct color mode (16 bits/pixel), the lower 1 bit is “0” and this address is 2-byte aligned.

L5OA1 (L5 layer Origin Address 1)

Register address	DisplayBaseAddress + 94 _H																															
Bit number	31	30	29	28	27	26	25	24	23	22	21	20	19	18	17	16	15	14	13	12	11	10	9	8	7	6	5	4	3	2	1	0
Bit field name	Reserved				L5OA1																											
R/W	R0				RW																								R0			
Initial value	0				Don't care																								0000			

This register sets the origin address of the logic frame of the L5 layer in frame 1. Since lower 4-bits are fixed to “0”, this address is 16-byte aligned.

L5DA1 (L5 layer Display Address 1)

Register address	DisplayBaseAddress + 98 _H																															
Bit number	31	30	29	28	27	26	25	24	23	22	21	20	19	18	17	16	15	14	13	12	11	10	9	8	7	6	5	4	3	2	1	0
Bit field name	Reserved				L5DA1																											
R/W	R0				RW																								R0			
Initial value	0				Don't care																								0000			

This register sets the origin address of the L5 layer in frame 1. For the direct color mode (16 bits/pixel), the lower 1 bit is “0” and this address is 2-byte aligned.

L5DX (L5 layer Display position X)

Register address	DisplayBaseAddress + 9C _H															
Bit number	15	14	13	12	11	10	9	8	7	6	5	4	3	2	1	0
Bit field name	Reserved				L5DX											
R/W	R0				RW											
Initial value	0				Don't care											

This register sets the display starting position (X coordinates) of the L5 layer on the basis of the origin of the logic frame in pixels.

L5DY (L5 layer Display position Y)

Register address	DisplayBaseAddress + 9E _H															
Bit number	15	14	13	12	11	10	9	8	7	6	5	4	3	2	1	0
Bit field name	Reserved				L5DY											
R/W	R0				RW											
Initial value	0				Don't care											

This register sets the display starting position (Y coordinates) of the L5 layer on the basis of the origin of the logic frame in pixels.

L5WX (L5 layer Window position X)

Register address	DisplayBaseAddress + 164 _H															
Bit number	15	14	13	12	11	10	9	8	7	6	5	4	3	2	1	0
Bit field name	Reserved				L5WX											
R/W	R0				RW											
Initial value	0				Don't care											

This register sets the X coordinates of the display position of the L5 layer window.

L5WY (L5 layer Window position Y)

Register address	DisplayBaseAddress + 166 _H															
Bit number	15	14	13	12	11	10	9	8	7	6	5	4	3	2	1	0
Bit field name	Reserved				L5WY											
R/W	R0				RW											
Initial value	0				Don't care											

This register sets the Y coordinates of the display position of the L5 layer window.

L5WW (L5 layer Window Width)

Register address	DisplayBaseAddress + 168 _H															
Bit number	15	14	13	12	11	10	9	8	7	6	5	4	3	2	1	0
Bit field name	Reserved				L5WW											
R/W	R0				RW											
Initial value	0				Don't care											

This register controls the horizontal direction display size (width) of the L5 layer window. Do not specify "0".

L5WH (L5 layer Window Height)

Register address	DisplayBaseAddress + 16A _H															
Bit number	15	14	13	12	11	10	9	8	7	6	5	4	3	2	1	0
Bit field name	Reserved				L5WH											
R/W	R0				RW											
Initial value	0				Don't care											

This register controls the vertical direction display size (height) of the L5 layer window. Setting value + 1 is the height.

CUTC (Cursor Transparent Control)

Register address	DisplayBaseAddress + A0 _H															
Bit number	15	14	13	12	11	10	9	8	7	6	5	4	3	2	1	0
Bit field name	Reserved							CUZT	CUTC							
R/W	R0							RW	RW							
Initial value	0							Don't care	Don't care							

Bit 7 to 0 CUTC (Cursor Transparent Code)
Sets color code handled as transparent code

Bit 8 CUZT (Cursor Zero Transparency)
Defines handling of color code 0
0 Code 0 as transparency color
1 Code 0 as non-transparency color

CPM (Cursor Priority Mode)

Register address	DisplayBaseAddress + A2 _H							
Bit number	7	6	5	4	3	2	1	0
Bit field name	Reserved		CEN1	CEN0	Reserved		CUO1	CUO0
R/W	R0		RW	RW	R0		RW	RW
Initial value	0		0	0	0		0	0

This register controls the display priority of cursors. Cursor 0 is always preferred to cursor 1.

Bit 0 CUO0 (Cursor Overlap 0)
Sets display priority between cursor 0 and pixels of Console layer
0 Puts cursor 0 at lower than L0 layer.
1 Puts cursor 0 at higher than L0 layer.

Bit 1 CUO1 (Cursor Overlap 1)
Sets display priority between cursor 1 and C layer
0 Puts cursor 1 at lower than L0 layer.
1 Puts cursor 1 at lower than L0 layer.

Bit 4 CEN0 (Cursor Enable 0)
Sets enabling display of cursor 0
0 Disabled
1 Enabled

Bit 5 CEN1 (Cursor Enable 1)
Sets enabling display of cursor 1
0 Disabled
1 Enabled

CUOA0 (Cursor-0 Origin Address)

Register address	DisplayBaseAddress + A4 _H																															
Bit number	31	30	29	28	27	26	25	24	23	22	21	20	19	18	17	16	15	14	13	12	11	10	9	8	7	6	5	4	3	2	1	0
Bit field name	Reserved				CUOA0																											
R/W	R0				RW																								R0			
Initial value	0				Don't care																								0000			

This register sets the start address of the cursor 0 pattern. Since lower 4 bits are fixed to “0”, this address is 16-byte aligned.

CUX0 (Cursor-0 X position)

Register address	DisplayBaseAddress + A8 _H															
Bit number	15	14	13	12	11	10	9	8	7	6	5	4	3	2	1	0
Bit field name	Reserved				CUX0											
R/W	R0				RW											
Initial value	0				Don't care											

This register sets the display position (X coordinates) of the cursor 0 in pixels. The reference position of the coordinates is the top left of the cursor pattern.

CUY0 (Cursor-0 Y position)

Register address	DisplayBaseAddress + Aa _H															
Bit number	15	14	13	12	11	10	9	8	7	6	5	4	3	2	1	0
Bit field name	Reserved				CUY0											
R/W	R0				RW											
Initial value	0				Don't care											

This register sets the display position (Y coordinates) of the cursor 0 in pixels. The reference position of the coordinates is the top left of the cursor pattern.

CUOA1 (Cursor-1 Origin Address)

Register address	DisplayBaseAddress + AC _H																															
Bit number	31	30	29	28	27	26	25	24	23	22	21	20	19	18	17	16	15	14	13	12	11	10	9	8	7	6	5	4	3	2	1	0
Bit field name	Reserved				CUOA1																											
R/W	R0				RW												R0															
Initial value	0				Don't care												0000															

This register sets the start address of the cursor 1 pattern. Since lower 4 bits are fixed to “0”, this address is 16-byte aligned.

CUX1 (Cursor-1 X position)

Register address	DisplayBaseAddress + B0 _H															
Bit number	15	14	13	12	11	10	9	8	7	6	5	4	3	2	1	0
Bit field name	Reserved				CUX1											
R/W	R0				RW											
Initial value	0				Don't care											

This register sets the display position (X coordinates) of the cursor 1 in pixels. The reference position of the coordinates is the top left of the cursor pattern.

CUY1 (Cursor-1 Y position)

Register address	DisplayBaseAddress + B2 _H															
Bit number	15	14	13	12	11	10	9	8	7	6	5	4	3	2	1	0
Bit field name	Reserved				CUY1											
R/W	R0				RW											
Initial value	0				Don't care											

This register sets the display position (Y coordinates) of the cursor 1 in pixels. The reference position of the coordinates is the top left of the cursor pattern.

DLS (Display Layer Select)

Register address	DisplayBaseAddress + 180H																																	
Bit number	31	30	29	-----	25	24	23	22	21	20	19	18	17	16	15	14	13	12	11	10	9	8	7	6	5	4	3	2	1	0				
Bit field name	Reserved				DLS5				DLS4				DLS3				DLS2				DLS1				DSL0									
R/W	R0				R0	RW				R0	RW				R0	RW				R0	RW				R0	RW								
Initial value						101					100					011					010					001					000			

This register defines the blending sequence.

- Bit 3 to 0 DSL0 (Display Layer Select 0)
 Selects the top layer subjected to blending.
 0000 L0 layer
 0001 L1 layer
 :
 0101 L5 layer
 0110 Reserved
 :
 0110 Reserved
 0111 Not selected

- Bit 7 to 4 DSL1 (Display Layer Select 1)
 Selects the second layer subjected to blending. The bit values are the same as DSL0.

- Bit 11 to 8 DSL2 (Display Layer Select 2)
 Selects the third layer subjected to blending. The bit values are the same as DSL0.

- Bit 15 to 12 DSL3 (Display Layer Select 3)
 Selects the fourth layer subjected to blending. The bit values are the same as DSL0.

- Bit 19 to 16 DSL4 (Display Layer Select 4)
 Selects the fifth layer subjected to blending. The bit values are the same as DSL0.

- Bit 23 to 20 DSL5 (Display Layer Select 5)
 Selects the bottom layer subjected to blending. The bit values are the same as DSL0.

DBGC (Display Background Color)

Register address	DisplayBaseAddress + 184 _H																															
Bit number	31	30	29	-----	25	24	23	22	21	20	19	18	17	16	15	14	13	12	11	10	9	8	7	6	5	4	3	2	1	0		
Bit field name	Reserved					DBGR									DBGG								DBGB									
R/W	R0																															
Initial value																																

This register specifies the color to be displayed in areas outside the display area of each layer on the window.

Bit 7 to 0 DBGB (Display Background Blue)
 Specifies the blue level of the background color.

Bit 15 to 8 DBGG (Display Background Green)
 Specifies the green level of the background color.

Bit 23 to 16 DBGR (Display Background Red)
 Specifies the red level of the background color.

L0BLD (L0 Blend)

Register address	DisplayBaseAddress + B4 _H																									
Bit number	31	30	29	28	-----	20	19	18	17	16	15	14	13	12	11	10	9	8	7	6	5	4	3	2	1	0
Bit field name	Reserved								LOBE	LOBS	LOBI	LOBP	Reserved								LOBR					
R/W																										
Initial value																										

This register specifies the blend parameters for the L0 layer. This register corresponds to BRATIO or BMODE for previous products.

- Bit 7 to 0 LOBR (L0 layer Blend Ratio)
 Sets the blend ratio. Basically, the blend ratio is setting value/256.

- Bit 13 LOBP (L0 layer Blend Plane)
 Specifies that the L5 layer is the blend plane.
 0 Value of LOBR used as blend ratio
 1 Pixel of L5 layer used as blend ratio

- Bit 14 LOBI (L0 layer Blend Increment)
 Selects whether or not 1/256 is added when the blend ratio is not "0".
 0 Blend ratio calculated as is
 1 1/256 added when blend ratio ≠ 0

- Bit 15 LOBS (L0 layer Blend Select)
 Selects the blend calculation expression.
 0 Upper image × Blend ratio + Lower image × (1 – Blend ratio)
 1 Upper image × (1 – Blend ratio) + Lower image × Blend ratio

- Bit 16 LOBE (L0 layer Blend Enable)
 This bit enables blending.
 0 Overlay via transparent color
 1 Overlay via blending

Before blending, the blend mode must be specified using LOBE, and alpha must also be enabled for L0 layer display data. For direct color, alpha is specified using the MSB of data; for indirect color, alpha is specified using the MSB of palette data.

L1BLD (L1 Blend)

Register address	DisplayBaseAddress + 188 _H																											
Bit number	31	30	29	28	-----	20	19	18	17	16	15	14	13	12	11	10	9	8	7	6	5	4	3	2	1	0		
Bit field name	Reserved								L1BE	L1BS	L1BI	L1BP	Reserved								L1BR							
R/W																												
Initial value																												

This register specifies the blend parameters for the L1 layer.

Bit 7 to 0 L1BR (L1 layer Blend Ratio)
Sets the blend ratio. Basically, the blend ratio is setting value/256.

Bit 13 L1BP (L1 layer Blend Plane)
Specifies that the L5 layer is the blend plane.
0 Value of L1BR used as blend ratio
1 Pixel of L5 layer used as blend ratio

Bit 14 L1BI (L1 layer Blend Increment)
Selects whether or not 1/256 is added when the blend ratio is not "0".
0 Blend ratio calculated as is
1 1/256 added when blend ratio ≠ 0

Bit 15 L1BS (L1 layer Blend Select)
Selects the blend calculation expression.
0 Upper image × Blend ratio + Lower image × (1 – Blend ratio)
1 Upper image × (1 – Blend ratio) + Lower image × Blend ratio

Bit 16 L1BE (L1 layer Blend Enable)
This bit enables blending.
0 Overlay via transparent color
1 Overlay via blending

Before blending, the blend mode must be specified using L1BE, and alpha must also be enabled for L1 layer display data. For direct color, alpha is specified using the MSB of data; for indirect color, alpha is specified using the MSB of palette data.

L2BLD (L2 Blend)

Register address	DisplayBaseAddress + 18C _H																											
Bit number	31	30	29	28	-----	20	19	18	17	16	15	14	13	12	11	10	9	8	7	6	5	4	3	2	1	0		
Bit field name	Reserved								L2BE	L2BS	L2BI	L2BP	Reserved								L2BR							
R/W																												
Initial value																												

This register specifies the blend parameters for the L2 layer.

Bit 7 to 0 L2BR (L2 layer Blend Ratio)

Sets the blend ratio. Basically, the blend ratio is setting value/256.

Bit 13 L2BP (L2 layer Blend Plane)

Specifies that the L5 layer is the blend plane.

0 Value of L2BR used as blend ratio

1 Pixel of L5 layer used as blend ratio

Bit 14 L2BI (L2 layer Blend Increment)

Selects whether or not 1/256 is added when the blend ratio is not "0".

0 Blend ratio calculated as is

1 1/256 added when blend ratio ≠ 0

Bit 15 L2BS (L2 layer Blend Select)

Selects the blend calculation expression.

0 Upper image × Blend ratio + Lower image × (1 – Blend ratio)

1 Upper image × (1 – Blend ratio) + Lower image × Blend ratio

Bit 16 L2BE (L2 layer Blend Enable)

This bit enables blending.

0 Overlay via transparent color

1 Overlay via blending

Before blending, the blend mode must be specified using L2BE, and alpha must also be enabled for L2 layer display data. For direct color, alpha is specified using the MSB of data; for indirect color, alpha is specified using the MSB of palette data.

L3BLD (L3 Blend)

Register address	DisplayBaseAddress + 190 _H																											
Bit number	31	30	29	28	-----	20	19	18	17	16	15	14	13	12	11	10	9	8	7	6	5	4	3	2	1	0		
Bit field name	Reserved								L3BE	L3BS	L3BI	L3BP	Reserved								L3BR							
R/W																												
Initial value																												

This register specifies the blend parameters for the L3 layer.

- Bit 7 to 0 L3BR (L3 layer Blend Ratio)
Sets the blend ratio. Basically, the blend ratio is setting value/256.

- Bit 13 L3BP (L3 layer Blend Plane)
Specifies that the L5 layer is the blend plane.
0 Value of L3BR used as blend ratio
1 Pixel of L5 layer used as blend ratio

- Bit 14 L3BI (L3 layer Blend Increment)
Selects whether or not 1/256 is added when the blend ratio is not "0".
0 Blend ratio calculated as is
1 1/256 added when blend ratio ≠ 0

- Bit 15 L3BS (L3 layer Blend Select)
Selects the blend calculation expression.
0 Upper image × Blend ratio + Lower image × (1 – Blend ratio)
1 Upper image × (1 – Blend ratio) + Lower image × Blend ratio

- Bit 16 L3BE (L3 layer Blend Enable)
This bit enables blending.
0 Overlay via transparent color
1 Overlay via blending

Before blending, the blend mode must be specified using L3BE, and alpha must also be enabled for L3 layer display data. For direct color, alpha is specified using the MSB of data; for indirect color, alpha is specified using the MSB of palette data.

L4BLD (L4 Blend)

Register address	DisplayBaseAddress + 194 _H																											
Bit number	31	30	29	28	-----	20	19	18	17	16	15	14	13	12	11	10	9	8	7	6	5	4	3	2	1	0		
Bit field name	Reserved								L4BE	L4BS	L4BI	L4BP	Reserved								L4BR							
R/W																												
Initial value																												

This register specifies the blend parameters for the L4 layer.

Bit 7 to 0 L4BR (L4 layer Blend Ratio)
 Sets the blend ratio. Basically, the blend ratio is setting value/256.

Bit 13 L4BP (L4 layer Blend Plane)
 Specifies that the L5 layer is the blend plane.
 0 Value of L4BR used as blend ratio
 1 Pixel of L5 layer used as blend ratio

Bit 14 L4BI (L4 layer Blend Increment)
 Selects whether or not 1/256 is added when the blend ratio is not "0".
 0 Blend ratio calculated as is
 1 1/256 added when blend ratio ≠ 0

Bit 15 L4BS (L4 layer Blend Select)
 Selects the blend calculation expression.
 0 Upper image × Blend ratio + Lower image × (1 – Blend ratio)
 1 Upper image × (1 – Blend ratio) + Lower image × Blend ratio

Bit 16 L4BE (L4 layer Blend Enable)
 This bit enables blending.
 0 Overlay via transparent color
 1 Overlay via blending

Before blending, the blend mode must be specified using L4BE, and alpha must also be enabled for L4 layer display data. For direct color, alpha is specified using the MSB of data; for indirect color, alpha is specified using the MSB of palette data.

L5BLD (L5 Blend)

Register address	DisplayBaseAddress + 198h																										
Bit number	31	30	29	28	-----	21	20	19	18	17	16	15	14	13	12	11	10	9	8	7	6	5	4	3	2	1	0
Bit field name	Reserved									L5BE	L5BS	L5BI	Reserved						L5BR								
R/W	R0									RW	RW	RW	R0						RW								
Initial value										0	0	0															

This register specifies the blend parameters for the L5 layer.

- Bit 7 to 0 L5BR (L5 layer Blend Ratio)
Sets the blend ratio. Basically, the blend ratio is setting value/256.

- Bit 14 L5BI (L5 layer Blend Increment)
Selects whether or not 1/256 is added when the blend ratio is not "0".
0 Blend ratio calculated as is
1 1/256 added when blend ratio ≠ 0

- Bit 15 L5BS (L5 layer Blend Select)
Selects the blend calculation expression.
0 Upper image × Blend ratio + Lower image × (1 – Blend ratio)
1 Upper image × (1 – Blend ratio) + Lower image × Blend ratio

- Bit 16 L5BE (L5 layer Blend Enable)
This bit enables blending.
0 Overlay via transparent color
1 Overlay via blending

Before blending, the blend mode must be specified using L5BE, and alpha must also be enabled for L5 layer display data. For direct color, alpha is specified using the MSB of data; for indirect color, alpha is specified using the MSB of palette data.

L0TC (L0 layer Transparency Control)

Register address	DisplayBaseAddress + BC _H															
Bit number	15	14	13	12	11	10	9	8	7	6	5	4	3	2	1	0
Bit field name	L0ZT	L0TC														
R/W	RW	RW														
Initial value	0	Don't care														

This register sets the transparent color for the L0 layer. Color set by this register is transparent in blend mode. When L0TC = 0 and L0ZT = 0, color 0 is displayed in black (transparent).

This register corresponds to the CTC register for previous products.

Bit 14 to 0 L0TC (L0 layer Transparent Color)
 Sets transparent color code for the L0 layer. In indirect color mode (8 bits/pixel) bits 7 to 0 are used.

Bit 15 L0ZT (L0 layer Zero Transparency)
 Sets handling of color code 0 in L0 layer
 0: Code 0 as transparency color
 1: Code 0 as non-transparency color

L2TC (L2 layer Transparency Control)

Register address	DisplayBaseAddress + C2 _H															
Bit number	15	14	13	12	11	10	9	8	7	6	5	4	3	2	1	0
Bit field name	L2ZT	L2TC														
R/W	RW	RW														
Initial value	0	Don't care														

This register sets the transparent color for the L2 layer.

When L2TC = 0 and L2ZT = 0, color 0 is displayed in black (transparent).

This register corresponds to the MLTC register for previous products.

Bit 14 to 0 L2TC (L2 layer Transparent Color)
 Sets transparent color code for the L2 layer. In indirect color mode (8 bits/pixel) bits 7 to 0 are used.

Bit 15 L2ZT (L2 layer Zero Transparency)
 Sets handling of color code 0 in L2 layer
 0 Code 0 as transparency color
 1 Code 0 as non-transparency color

L3TC (L3 layer Transparency Control)

Register address	DisplayBaseAddress + C0 _H															
Bit number	15	14	13	12	11	10	9	8	7	6	5	4	3	2	1	0
Bit field name	L3ZT	L3TC														
R/W	RW	RW														
Initial value	0	Don't care														

This register sets the transparent color for the L3 layer. When L3TC = 0 and L3ZT = 0, color 0 is displayed in black (transparent).

This register corresponds to the MLTC register for previous products.

Bit 14 to 0 L3TC (L3 layer Transparent Color)
 Sets transparent color code for the L3 layer. In indirect color mode (8 bits/pixel) bits 7 to 0 are used.

Bit 15 L3ZT (L3 layer Zero Transparency)
 Sets handling of color code 0 in L3 layer
 0 Code 0 as transparency color
 1 Code 0 as non-transparency color

L0ETC (L0 layer Extend Transparency Control)

Register address	DisplayBaseAddress + 1A0 _H																															
Bit number	31	30	29	28	---	24	23	22	21	20	19	18	17	16	15	14	13	12	11	10	9	8	7	6	5	4	3	2	1	0		
Bit field name	L0ETZ	Reserved					L0ETC																									
R/W	RW	R0					RW																									
Initial value	0	0																														

This register sets the transparent color for the L0 layer. The 24 bits/pixel transparent color is set using this register. The lower 15 bits of this register are physically the same as L0TC. Also, L0ETZ is physically the same as L0TZ.

When L0ETC = 0 and L0EZT = 0, color 0 is displayed in black (transparent).

Bit 23 to 0 L0ETC (L0 layer Extend Transparent Color)
 Sets transparent color code for the L0 layer. In indirect color mode (8 bits/pixel) bits 7 to 0 are used.

Bit 31 L0EZT (L0 layer Extend Zero Transparency)
 Sets handling of color code 0 in L0 layer
 0 Code 0 as transparency color
 1 Code 0 as non-transparency color

L1ETC (L1 layer Extend Transparency Control)

Register address	DisplayBaseAddress + 1A4 _H																																
Bit number	31	30	29	28	---	24	23	22	21	20	19	18	17	16	15	14	13	12	11	10	9	8	7	6	5	4	3	2	1	0			
Bit field name	L1ETZ	Reserved					L1TEC																										
R/W	RW	R0					RW																										
Initial value																																	

This register sets the transparent color for the L1 layer. When L1ETC = 0 and L1EZT = 0, color 0 is displayed in black (transparent).

For YCbCr display, transparent color checking is not performed; processing is always performed assuming that transparent color is not used.

- Bit 23 to 0 L1ETC (L1 layer Extend Transparent Color)
Sets transparent color code for the L1 layer. In indirect color mode (8 bits/pixel) bits 7 to 0 are used.

- Bit 31 L1EZT (L1 layer Extend Zero Transparency)
Sets handling of color code 0 in L1 layer
0 Code 0 as transparency color
1 Code 0 as non-transparency color

L2ETC (L2 layer Extend Transparency Control)

Register address	DisplayBaseAddress + 1A8 _H																																
Bit number	31	30	29	28	---	24	23	22	21	20	19	18	17	16	15	14	13	12	11	10	9	8	7	6	5	4	3	2	1	0			
Bit field name	L2ETZ	Reserved					L2TEC																										
R/W	RW	R0					RW																										
Initial value																																	

This register sets the transparent color for the L2 layer. The 24 bits/pixel transparent color is set using this register. The lower 15 bits of this register are physically the same as L2TC. Also, L2ETZ is physically the same as L2TZ.

When L2ETC = 0 and L2EZT = 0, color 0 is displayed in black (transparent).

- Bit 23 to 0 L2ETC (L2 layer Extend Transparent Color)
Sets transparent color code for the L2 layer. In indirect color mode (8 bits/pixel) bits 7 to 0 are used.

- Bit 31 L2EZT (L2 layer Extend Zero Transparency)
Sets handling of color code 0 in L2 layer
0 Code 0 as transparency color
1 Code 0 as non-transparency color

L3ETC (L3 layer Extend Transparency Control)

Register address	DisplayBaseAddress + 1AC _H																															
Bit number	31	30	29	28	---	24	23	22	21	20	19	18	17	16	15	14	13	12	11	10	9	8	7	6	5	4	3	2	1	0		
Bit field name	L3ETZ	Reserved					L3TEC																									
R/W	RW	R0					RW																									
Initial value	0	0																														

This register sets the transparent color for the L3 layer. The 24 bits/pixel transparent color is set using this register. The lower 15 bits of this register are physically the same as L3TC. Also, L3ETZ is physically the same as L3TZ.

When L3ETC = 0 and L3EZT = 0, color 0 is displayed in black (transparent).

- Bit 23 to 0 L3ETC (L3 layer Extend Transparent Color)
Sets transparent color code for the L3 layer. In indirect color mode (8 bits/pixel) bits 7 to 0 are used.

- Bit 31 L3EZT (L3 layer Extend Zero Transparency)
Sets handling of color code 0 in L3 layer
0 Code 0 as transparency color
1 Code 0 as non-transparency color

L4ETC (L4 layer Extend Transparency Control)

Register address	DisplayBaseAddress + 1B0 _H																															
Bit number	31	30	29	28	---	24	23	22	21	20	19	18	17	16	15	14	13	12	11	10	9	8	7	6	5	4	3	2	1	0		
Bit field name	L4ETZ	Reserved					L4TEC																									
R/W	RW	R0					RW																									
Initial value	0	0																														

This register sets the transparent color for the L4 layer. This register sets the transparent color for the L4 layer. When L4ETC = 0 and L4EZT = 0, color 0 is displayed in black (transparent).

- Bit 23 to 0 L4ETC (L4 layer Extend Transparent Color)
Sets transparent color code for the L4 layer. In indirect color mode (8 bits/pixel) bits 7 to 0 are used.

- Bit 31 L4EZT (L4 layer Extend Zero Transparency)
Sets handling of color code 0 in L4 layer
0 Code 0 as transparency color
1 Code 0 as non-transparency color

L5ETC (L5 layer Extend Transparency Control)

Register address	DisplayBaseAddress + 1B4 _H																															
Bit number	31	30	29	28	---	24	23	22	21	20	19	18	17	16	15	14	13	12	11	10	9	8	7	6	5	4	3	2	1	0		
Bit field name	L5ETZ		Reserved										L5TEC																			
R/W	RW		R0										RW																			
Initial value	0		0																													

This register sets the transparent color for the L5 layer. This register sets the transparent color for the L5 layer. When L5ETC = 0 and L5EZT = 0, color 0 is displayed in black (transparent).

Bit 23 to 0 L5ETC (L5 layer Extend Transparent Color)
 Sets transparent color code for the L5 layer. In indirect color mode (8 bits/pixel) bits 7 to 0 are used.

Bit 31 L5EZT (L5 layer Extend Zero Transparency)
 Sets handling of color code 0 in L5 layer
 0 Code 0 as transparency color
 1 Code 0 as non-transparency color

LOPAL0-255 (L0 layer Palette 0-255)

Register address	DisplayBaseAddress + 400 _H -- DisplayBaseAddress + 7FF _H																																							
Bit number	31	30	29	28	27	26	25	24	23	22	21	20	19	18	17	16	15	14	13	12	11	10	9	8	7	6	5	4	3	2	1	0								
Bit field name	A								R								G								B															
R/W	RW								RW								RW								RW															
Initial value	00000000								Don't care								00								Don't care								00							

These are color palette registers for L0 layer and cursors. In the indirect color mode, a color code in the display frame indicates the palette register number, and the color information set in that register is applied as the display color of that pixel. This register corresponds to the CPALn register for previous products.

- Bit 7 to 2 B (Blue)
Sets blue color component

- Bit 15 to 10 G (Green)
Sets green color component

- Bit 23 to 18 R (Red)
Sets red color component

- Bit 31 A (Alpha)
Specifies whether or not to perform blending with lower layers when the blending mode is enabled.
 - 0 Blending not performed even when blending mode enabled
 Overlay is performed via transparent color.
 - 1 Blending performed

L1PAL0-255 (L1 layer Palette 0-255)

Register address	DisplayBaseAddress + 800 _H -- DisplayBaseAddress + BFF _H																															
Bit number	31	30	29	28	27	26	25	24	23	22	21	20	19	18	17	16	15	14	13	12	11	10	9	8	7	6	5	4	3	2	1	0
Bit field name	A								R								G								B							
R/W	RW	R0							RW	R0	RW	R0	RW	R0	RW	R0	RW	R0														
Initial value	Don't care	0000000							Don't care	00	Don't care	00	Don't care	00	Don't care	00																

These are color palette registers for L1 layer and cursors. In the indirect color mode, a color code in the display frame indicates the palette register number, and the color information set in that register is applied as the display color of that pixel. This register corresponds to the MBPALn register for previous products.

- Bit 7 to 2 B (Blue)
Sets blue color component

- Bit 15 to 10 G (Green)
Sets green color component

- Bit 23 to 18 R (Red)
Sets red color component

- Bit 31 A (Alpha)
Specifies whether or not to perform blending with lower layers when the blending mode is enabled.
 - 0 Blending not performed even when blending mode enabled
Overlay is performed via transparent color.
 - 1 Blending performed

L2PAL0-255 (L2 layer Palette 0-255)

Register address	DisplayBaseAddress + 1000 _H -- DisplayBaseAddress + 13FF _H																															
Bit number	31	30	29	28	27	26	25	24	23	22	21	20	19	18	17	16	15	14	13	12	11	10	9	8	7	6	5	4	3	2	1	0
Bit field name	A								R								G								B							
R/W	RW	R0							RW	R0	RW							R0	RW							R0						
Initial value	Don't care	0000000							Don't care							00	Don't care							00	Don't care							00

These are color palette registers for L2 layer and cursors. In the indirect color mode, a color code in the display frame indicates the palette register number, and the color information set in that register is applied as the display color of that pixel.

- Bit 7 to 2 B (Blue)
Sets blue color component

- Bit 15 to 10 G (Green)
Sets green color component

- Bit 23 to 18 R (Red)
Sets red color component

- Bit 31 A (Alpha)
Specifies whether or not to perform blending with lower layers when the blending mode is enabled.
 - 0 Blending not performed even when blending mode enabled
 Overlay is performed via transparent color.
 - 1 Blending performed

L3PAL0-255 (L3 layer Palette 0-255)

Register address	DisplayBaseAddress + 1400 _H -- DisplayBaseAddress + 17FF _H																																															
Bit number	31	30	29	28	27	26	25	24	23	22	21	20	19	18	17	16	15	14	13	12	11	10	9	8	7	6	5	4	3	2	1	0																
Bit field name	A								R								G								B																							
R/W	RW								R0								RW								R0																							
Initial value	Don't care								0000000								Don't care								00								Don't care								00							

These are color palette registers for L3 layer and cursors. In the indirect color mode, a color code in the display frame indicates the palette register number, and the color information set in that register is applied as the display color of that pixel.

- Bit 7 to 2 B (Blue)
Sets blue color component

- Bit 15 to 10 G (Green)
Sets green color component

- Bit 23 to 18 R (Red)
Sets red color component

- Bit 31 A (Alpha)
Specifies whether or not to perform blending with lower layers when the blending mode is enabled.
 - 0 Blending not performed even when blending mode enabled
 Overlay is performed via transparent color.
 - 1 Blending performed

10.2.5 Video capture registers

VCM (Video Capture Mode)

Register address	CaputureBaseAddress + 00 _H																															
Bit number	31	30	29	28	27	26	25	24	23	22	21	20	19	18	17	16	15	14	13	12	11	10	9	8	7	6	5	4	3	2	1	0
Bit field name	VIE	VIS	Reserved			CM	Reserved			VI	Reserved													VS	Rsv							
R/W	RW	RW	RX			RW	RX			RW	RX													RW	RX							
Initial value	0	X			00	X			0	X													0	X								

This register sets the video capture mode.

- Bit 31 VIE (Video Input Enable)

Enables video capture function

0: Does not capture video

1: Captures video
- Bit 30 VIS (Video Input Select)

0 RBT656

1 RGB666
- Bit 25 to 24 CM (Capture Mode)

Sets video capture mode

To capture vides, set these bits to "11".

00: Initial value

01: Reserved

10: Reserved

11: Capture
- Bit 20 VI (Vertical Interpolation)

Sets whether to perform vertical interpolation

0: Performs vertical interpolation

 The graphics are enlarged vertically by two times

1: Does not perform vertical interpolation
- Bit 1 VS (Video Select)

Selects NTSC or PAL

0: NTSC

1: PAL

CSC (Capture Scale)

Register address	CaputureBaseAddress + 04 _H																															
Bit number	31	30	29	28	27	26	25	24	23	22	21	20	19	18	17	16	15	14	13	12	11	10	9	8	7	6	5	4	3	2	1	0
Bit field name	VSCI					VSCF											HSCI					HSCF										
R/W	RW					RW											RW					RW										
Initial value	00001					00000000000											00001					00000000000										

This register sets the video capture enlargement/reduction ratio.

- Bit 31 to 27 VSCI (Vertical SCAle Integer)
Sets integer part of vertical enlargement/reduction ratio
- Bit 26 to 16 VSCF (Vertical SCAle Fraction)
Sets fraction part of vertical enlargement/reduction ratio
- Bit 15 to 11 HSCI (Horizontal SCAle Integer)
Sets integer part of horizontal enlargement/reduction ratio
- Bit 10 to 0 HSCF (Horizontal SCAle Fraction)
Sets fraction part of horizontal enlargement/reduction ratio

Note :

Simultaneous upscaling and downscaling is not possible (eg HSCALE=0x1000,VSCALE=0x0600).
No scaling (HSCALE=0x0800, VSCALE=0x800) is the default setting.

VCS (Video Capture Status)

Register address	CaputureBaseAddress + 08 _H																															
Bit number	31	30	29	28	27	26	25	24	23	22	21	20	19	18	17	16	15	14	13	12	11	10	9	8	7	6	5	4	3	2	1	0
Bit field name	Reserved																											CE				
R/W	RX																											RW				
Initial value	Don't care																											00000				

This register indicates the ITU-RBT656 SAV and EAV status.

To detect error codes, set NTSC/PAL in the VS bit of VCM. If NTSC is set, reference the number of data in the capture data count register (CDCN). If PAL is set, reference the number of data in the capture data counter register (CDCP). If the reference data does not match the stream data , or undefined Fourth word of SAV/EAV codes are detected, bits 4 to 0 of the video capture status register (VCS) will be values as follows.

Bits 4-0 CE (Capture Error)

Indicates error occurred during video capture

- Bit4 1 : RBT.656 H code error (End) 0 : true
- Bit3 1 : RBT.656 H code error (Start) 0 : true
- Bit2 1 : RBT.656 undefined error (Code Bit7-0) 0 : true
- Bit1 1 : RBT.656 undefined error (Code Bit7-4) 0 : true
- Bit0 1 : RBT.656 undefined error (Code Bit7) 0 : true

CBM (vide Capture Buffer Mode)

Register address	CaputureBaseAddress + 10 _H																															
Bit #	31	30	29	28	27	26	25	24	23	22	21	20	19	18	17	16	15	14	13	12	11	10	9	8	7	6	5	4	3	2	1	0
Bit field name	00								Reserved								CBW								Reserved							
R/W	RW								RX								RW								Rx							
Initial value	Don't care								Don't care								Don't care								Don't care							

Bit 23 to 16 CBW (Capture Buffer memory Width)
 Sets memory width (stride) of capture buffer in 64 bytes

Bit 31 OO (Odd Only mode)
 Specifies whether to capture odd fields only
 0: Normal mode
 1: Odd only mode

CBOA (video Capture Buffer Origin Address)

Register address	CaputureBaseAddress + 14 _H																															
Bit number	31	30	29	28	27	26	25	24	23	22	21	20	19	18	17	16	15	14	13	12	11	10	9	8	7	6	5	4	3	2	1	0
Bit field name	Reserved								CBOA																							
R/W	RX								RW																R0							
Initial value	Don't care								Don't care																0							

This register specifies the starting (origin) address of the video capture buffer.

CBLA (video Capture Buffer Limit Address)

Register address	CaputureBaseAddress + 18 _H																															
Bit number	31	30	29	28	27	26	25	24	23	22	21	20	19	18	17	16	15	14	13	12	11	10	9	8	7	6	5	4	3	2	1	0
Bit field name	Reserved								CBLA																							
R/W	RX								RW																R0							
Initial value	Don't care								Don't care																0							

This register specifies the end (limit) address of the video capture buffer.

CBLA must be larger than CBOA.

CIHSTR (Capture Image Horizontal STaRt)

Register address	CaputureBaseAddress + 1C _H															
Bit number	15	14	13	12	11	10	9	8	7	6	5	4	3	2	1	0
Bit field name	Reserved						CIHSTR									
R/W	RX						RW									
Initial value	Don't care						Don't care									

This register sets the range of the images to be written (captured) to the video capture buffer. Specify the X coordinates located in the top left of the image range as the count of pixels from the top left of the image. For reduction, apply this setting to the post-reduction image coordinates.

CIVSTR (Capture Image Vertical STaRt)

Register address	CaputureBaseAddress + 1E _H															
Bit number	15	14	13	12	11	10	9	8	7	6	5	4	3	2	1	0
Bit field name	Reserved						CIVSTR									
R/W	RX						RW									
Initial value	Don't care						Don't care									

This register sets the range of the images to be written (captured) to the video capture buffer. Specify the Y coordinates located in the top left of the image range as the count of pixels from the top left of the image. For reduction, apply this setting to the post-reduction image coordinates.

CIHEND (Capture Image Horizontal END)

Register address	CaputureBaseAddress + 20 _H															
Bit number	15	14	13	12	11	10	9	8	7	6	5	4	3	2	1	0
Bit field name	Reserved						CIHEND									
R/W	RX						RW									
Initial value	Don't care						Don't care									

This register sets the range of the images to be written (captured) to the video capture buffer. Specify the X coordinates located in the bottom right of the image range as the count of pixels from the top left of the image. For reduction, apply this setting to the post-reduction image coordinates.

If the pixel at the right end of the image is not aligned on 64 bits/word boundary, extra data is written before 64 bits/word boundary.

If the width of the input image is less than the range set by this command, data is written only at the size of input image.

CIVEND (Capture Image Vertical END)

Register address	CaputureBaseAddress + 22 _H															
Bit number	15	14	13	12	11	10	9	8	7	6	5	4	3	2	1	0
Bit field name	Reserved						CIVEND									
R/W	RX						RW									
Initial value	Don't care						Don't care									

This register sets the range of the images to be written (captured) to the video capture buffer. Specify the Y coordinates located in the bottom right of the image range as the count of pixels from the top left of the original image to be input. For reduction, apply this setting to the post-reduction image coordinates.

If the count of rasters of the input image is less than the range set by this command, data is written only at the size of the input image.

CHP (Capture Horizontal Pixel)

Register address	CaputureBaseAddress + 28 _H																															
Bit number	31	30	29	28	27	26	25	24	23	22	21	20	19	18	17	16	15	14	13	12	11	10	9	8	7	6	5	4	3	2	1	0
Bit field name	Reserved																					CHP										
R/W	RX																					RW										
Initial value	X																					168 _H (360 _D)										

This register sets the count of horizontal pixels of the image output after scaling. Specify the count of horizontal pixels in 2 pixels.

CVP (Capture Vertical Pixel)

Register address	CaputureBaseAddress + 2C _H																															
Bit number	31	30	29	28	27	26	25	24	23	22	21	20	19	18	17	16	15	14	13	12	11	10	9	8	7	6	5	4	3	2	1	0
Bit field name	Reserved								CVPP								Reserved								CVPN							
R/W	RX								RW								RX								RW							
Initial value	X								271 _H (625 _D)								X								20D _H (525 _D)							

This register sets the count of vertical pixels of the image output after scaling. The fields to be used depend on the video format to be used.

Bit 25 to 16 CVPP (Capture Vertical Pixel for PAL)
Set count of vertical pixels of output image in PAL format used

Bit 9 to 0 CVPN (Capture Vertical Pixel for NTSC)
Set count of vertical pixels of output image in NTSC format used

CLPF (Capture Low Pass Filter)

Register address	CaputureBaseAddress + 40 _H																															
Bit number	31	30	29	28	27	26	25	24	23	22	21	20	19	18	17	16	15	14	13	12	11	10	9	8	7	6	5	4	3	2	1	0
Bit field name	Reserve				CVLPF				Reserve				CHLPF				Reserve															
R/W	R0				R/W				R0				R/W				R0															
Initial value	0				0				0				0				0															

This register sets the Low Pass Filter Coefficient. It specifies independently in 2-bit coefficient code with a luminance signal (Y) and a color-difference signal (C). A coefficient is a right-and-left symmetrical coefficient.

A Vertical low path filter consists of FIR filters of three taps. A coefficient is specified in the following register.

Bit 27 to 26 CVLPF_Y (Capture Vertical LPF coefficient Y)

Sets Y part of vertical LPF coefficient code

CVLPF_Y	K0	K1	K2
2'b00	0	1	0
2'b01	1/4	2/4	1/4
2'b10	3/16	10/16	3/16
2'b11	Reserve		

Bit 25 to 24 CVLPF_C (Capture Vertical LPF coefficient C)

Sets C part of vertical LPF coefficient code

CVLPF_C	K0	K1	K2
2'b00	0	1	0
2'b01	1/4	2/4	1/4
2'b10	3/16	10/16	3/16
2'b11	Reserve		

A horizontal low path filter consists of FIR filters of five taps. A coefficient is specified in the following register.

Bit 19 to 18 CHLPF_YI (Capture Horizontal LPF coefficient Y)

Sets Y part of horizontal coefficient code

CHLPF_Y	K0	K1	K2	K3	K4
2'b00	0	0	1	0	0
2'b01	0	1/4	2/4	1/4	0
2'b10	0	3/16	10/16	3/16	0
2'b11	3/32	8/32	10/32	10/32	3/32

Bit 17 to 16 CHLPF_C (Capture Horizontal LPF coefficient C)

Sets C part of horizontal coefficient code

CHLPF_C	K0	K1	K2	K3	K4
2'b00	0	0	1	0	0
2'b01	0	1/4	2/4	1/4	0
2'b10	0	3/16	10/16	3/16	0
2'b11	3/32	8/32	10/32	10/32	3/32

LPF will be turned off if coefficient code 2'b00 are set up.

CDCN (Capture Data Count for NTSC)

Register address	CaputureBaseAddress + 4000 _H																															
Bit number	31	30	29	28	27	26	25	24	23	22	21	20	19	18	17	16	15	14	13	12	11	10	9	8	7	6	5	4	3	2	1	0
Bit field name	Reserved				BDCN								Reserved				VDCN															
R/W	RX				RW								RX				RW															
Initial value	X				10f _H (271 _D)								X				5A3 _H (1443)															

This register sets the count of data of the input video stream in NTSC format.

Bit 25 to 16 BDCN (Blanking Data Count for NTSC)
 Sets count of data processed during blanking period in NTSC format

Bit 10 to 0 VDCN (Valid Data Count for NTSC)
 Sets count of data processed during valid period in NTSC format

CDCP (Capture Data Count for PAL)

Register address	CaputureBaseAddress + 4004 _H																															
Bit #	31	30	29	28	27	26	25	24	23	22	21	20	19	18	17	16	15	14	13	12	11	10	9	8	7	6	5	4	3	2	1	0
Bit field name	Reserved				BDCP								Reserved				VDCP															
R/W	RX				RW								RX				RW															
Initial value	X				11B _H (283 _D)								X				5A3 _H (1443)															

This register sets the count of data of the input video stream in PAL format.

Bit 25 to 16 BDCP (Blanking Data Count for PAL)
 Sets count of data processed during blanking period in PAL format

Bit 10 to 0 VDCP (Valid Data Count for PAL)
 Sets count of data processed during valid period in PAL format

CMSS (Capture Magnify Source Size)

Register address	CaputureBaseAddress +48 _H																															
Bit #	31	30	29	28	27	26	25	24	23	22	21	20	19	18	17	16	15	14	13	12	11	10	9	8	7	6	5	4	3	2	1	0
Bit field name	reserved				CMSHP												reserved				CMSVL											
R/W	R				R/W												R				R/W											
Initial value	0				X _H												0				X											

Bit 27 to 16 CMSHP(Capture Magnify Source Horizontal pixel)
 This register sets the number of horizontal pixels of the image input before Magnify scaling. Specify the number of horizontal pixels in 2-pixel units.

Bit 11 to 0 CMSVL(Capture Magnify Source Vertical line)
 This register sets the number of vertical lines of the image input before Magnify scaling.

CMDS (Capture Magnify Display Size)

Register address	CaputureBaseAddress + 4C _H																															
Bit #	31	30	29	28	27	26	25	24	23	22	21	20	19	18	17	16	15	14	13	12	11	10	9	8	7	6	5	4	3	2	1	0
Bit field name	reserved				CMDHP												reserved				CMDVL											
R/W	R				R/W												R				R/W											
Initial value	0				X												0				X											

Bit 27 to 16 CMDHP(Capture Magnify Display Horizontal pixel)
 This register sets the number of horizontal pixels of the image output after Magnify scaling. Specify the number of horizontal pixels in 2-pixel units.

Bit 11 to 10 CMDVL(Capture Magnify Display Vertical line)
 This register sets the number of vertical lines of the image output after Magnify scaling.

RGBHC (RGB input HSYNC Cycle)

Register address	CaputureBaseAddress +80 _H																															
Bit #	31	30	29	28	27	26	25	24	23	22	21	20	19	18	17	16	15	14	13	12	11	10	9	8	7	6	5	4	3	2	1	0
Bit field name	Reserved											RGBHC																				
R/W	R											R/W																				
Initial value	0											X																				

Bit 11 to 0 RGBHC(RGB input HSYNC Cycle)
 This register sets the number of HSYNC cycles of the RGB input.

RGBHEN (RGB input Horizontal Enable area)

Register address	CaputureBaseAddress + 84 _H																															
Bit #	31	30	29	28	27	26	25	24	23	22	21	20	19	18	17	16	15	14	13	12	11	10	9	8	7	6	5	4	3	2	1	0
Bit field name	Reserved		RGBHST										Reserved		RGBHEN																	
R/W	R		R/W										R		R/W																	
Initial value	0		X										0		X																	

Bit 27 to 16 RGBHST(RGB input Horizontal Enable area Start position)
 This register sets the position of horizontal active area start position. Setting - 4 is the line count for the start position.

Bit 10 to 0 RGBHEN(RGB input Horizontal Enable area Size)
 This register sets the number of horizontal active area size of the RGB input. Specify the number of horizontal pixels in 2-pixel units.

RGBVEN (RGB input Vertical Enable area)

Register address	CaputureBaseAddress + 88 _H																															
Bit #	31	30	29	28	27	26	25	24	23	22	21	20	19	18	17	16	15	14	13	12	11	10	9	8	7	6	5	4	3	2	1	0
Bit field name	Reserved							RGBVST										Reserved							RGBVEN							
R/W	R							R/W										R							R/W							
Initial value	0							X										0							X							

Bit 27 to 16 RGBVST(RGB input Vertical Enable area start Position)
 This register sets the position of vertical active area start position. Setting - 1 is the line count for the start position.

Bit 9 to 0 RGBVEN(RGB input Vertical Enable area Size)
 This register sets the number of vertical active area size.

RGBS (RGB input SYNC)

Register address	CaputureBaseAddress + 90 _H																															
Bit #	31	30	29	28	27	26	25	24	23	22	21	20	19	18	17	16	15	14	13	12	11	10	9	8	7	6	5	4	3	2	1	0
Bit field name	Reserved															RM	Reserved										HP	VP				
R/W	R															R/W	R										R/W					
Initial value	0															1	0										0	0				

- Bit 16 RM (RGB Input Mode select)
Sets Direct RGB input mode
0: Reserved
1: RGB666 Direct input mode
- Bit 1 HP (HSYNC Polarity)
0 Negedge is set to HSYNC
1 Posedge is set to HSYNC
- Bit 0 VP (VSYNC Polarity)
0: Negedge is set to VSYNC
1: Posedge is set to VSUNC

Conversion Operation

RGB data is converted to YUV by the following matrix expression :

$$\begin{aligned}
 Y &= a_{11}*R + a_{12}*G + a_{13}*B + b_1 \\
 Cb &= a_{21}*R + a_{22}*G + a_{23}*B + b_2 & a_{ij} & \text{ 10bit signed real (lower 8bit is fraction)} \\
 Cr &= a_{31}*R + a_{32}*G + a_{33}*B + b_3 & b_i & \text{ 8bit unsigned integer}
 \end{aligned}$$

Each coefficients can be defined by following registers.
Cb and Cr components are reduced half after this operation to form the 4:2:2 format.

RGBCMY (RGB Color convert Matrix Y coefficient)

Register address	CaputureBaseAddress + C0 _H																															
Bit number	31	30	29	28	27	26	25	24	23	22	21	20	19	18	17	16	15	14	13	12	11	10	9	8	7	6	5	4	3	2	1	0
Bit field name	a11										Re	a12										Re	a13									
R/W	RW										R	RW										R	RW									
Initial value	0001000010 _b										0	0010000000 _b										0	0000011001 _b									

This register sets the RGB color convert matrix coefficient.

- Bit 31 to 22 a11
10bit signed real (lower8bit is fraction)
- Bit 20 to 11 a12
10bit signed real (lower8bit is fraction)
- Bit 9 to 0 a13
10bit signed real (lower8bit is fraction)

RGBCMCb (RGB Color convert Matrix Cb coefficient)

Register address	CaputureBaseAddress + C4 _H																															
Bit number	31	30	29	28	27	26	25	24	23	22	21	20	19	18	17	16	15	14	13	12	11	10	9	8	7	6	5	4	3	2	1	0
Bit field name	a21										Re	a22										Re	a23									
R/W	RW										R	RW										R	RW									
Initial value	1111011010 _b										0	1110110110 _b										0	0001110000 _b									

This register sets the RGB color convert matrix coefficient.

- Bit 31 to 22 A21
10bit signed real (lower8bit is fraction)
- Bit 20 to 11 A22
10bit signed real (lower8bit is fraction)
- Bit 9 to 0 A23
10bit signed real (lower8bit is fraction)

RGBCMCr (RGB Color convert Matrix Cr coefficient)

Register address	CaputureBaseAddress + C8 _H																															
Bit number	31	30	29	28	27	26	25	24	23	22	21	20	19	18	17	16	15	14	13	12	11	10	9	8	7	6	5	4	3	2	1	0
Bit field name	A31										Re	A32										Re	A33									
R/W	RW										R	RW										R	RW									
Initial value	0001110000 _b										0	1110100010 _b										0	1111101110 _b									

This register sets the RGB color convert matrix coefficient.

Bit 31 to 22 A31
 10bit signed real (lower8bit is fraction)

Bit 20 to 11 A32
 10bit signed real (lower8bit is fraction)

Bit 9 to 0 A33
 10bit signed real (lower8bit is fraction)

RGBCMb (RGB Color convert Matrix b coefficient)

Register address	CaputureBaseAddress + CC _H																															
Bit number	31	30	29	28	27	26	25	24	23	22	21	20	19	18	17	16	15	14	13	12	11	10	9	8	7	6	5	4	3	2	1	0
Bit field name	R	B1									Res	b2									Res	b3										
R/W	R	RW									R	RW									R	RW										
Initial value	0	000010000 _b									0	010000000 _b									0	010000000 _b										

This register sets the RGB color convert matrix coefficient.

Bit 30 to 22 B1
 9bit unsigned integer

Bit 19 to 11 B2
 9bit unsigned integer

Bit 8 to 0 B3
 9bit unsigned integer

10.2.6 Drawing control registers

CTR (Control Register)

Register address	DrawBaseAddress + 400 _H																															
Bit number	31	30	29	28	27	26	25	24	23	22	21	20	19	18	17	16	15	14	13	12	11	10	9	8	7	6	5	4	3	2	1	0
Bit field name								FO	PE	CE	FCNT							NF	FF	FE	SS			DS			PS					
R/W								RW	RW	RW	R							R	R	R	R			R			R					
Initial value								0	0	0	011101							0	0	1	00			00			00					

This register indicates drawing flags and status information. Bits 24 to 22 are not cleared until 0 is set.

- Bit 1 and 0 PS (Pixel engine Status)
 Indicate status of pixel engine unit

 - 00 Idle
 - 01 Busy
 - 10 Reserved
 - 11 Reserved

- Bit 5 and 4 DS (DDA Status)
 Indicate status of DDA

 - 00 Idle
 - 01 Busy
 - 10 Busy
 - 11 Reserved

- Bit 9 and 8 SS (Setup Status)
 Indicate status of Setup unit

 - 00 Idle
 - 01 Busy
 - 10 Reserved
 - 11 Reserved

- Bit 12 FE (FIFO Empty)
 Indicates whether data contained or not in display list FIFO

 - 0 Valid data
 - 1 No valid data

- Bit 13 FF (FIFO Full)
 Indicates whether display list FIFO is full or not

 - 0 Not full
 - 1 Full

- Bit 14 NF (FIFO Near Full)
 Indicates how empty the display list FIFO is

- 0 Empty entries equal to or more than half
- 1 Empty entries less than half

Bit 20 to 15 FCNT (FIFO Counter)
Indicates count of empty entries of display list FIFO (0 to 100000_H)

Bit 22 CE (Display List Command Error)
Indicates command error occurrence

- 0 Normal
- 1 Command error detected

Bit 23 PE (Display List Packet code Error)
Indicates packet code error occurrence

- 0 Normal
- 1 Packet code error detected

Bit 24 FO (FIFO Overflow)
Indicates FIFO overflow occurrence

- 0 Normal
- 1 FIFO overflow detected

IFSR (Input FIFO Status Register)

Register address	DrawBaseAddress + 404 _H																															
Bit number	31	30	29	28	27	26	25	24	23	22	21	20	19	18	17	16	15	14	13	12	11	10	9	8	7	6	5	4	3	2	1	0
Bit field name																												NF	FF	FE		
R/W																												R	R	R		
Initial value																												0	0	1		

This is a mirror register for bits 14 to 12 of the CTR register.

IFCNT (Input FIFO Counter)

Register address	DrawBaseAddress + 408 _H																															
Bit number	31	30	29	28	27	26	25	24	23	22	21	20	19	18	17	16	15	14	13	12	11	10	9	8	7	6	5	4	3	2	1	0
Bit field name																												FCNT				
R/W																												R				
Initial value																												011101				

This is a mirror register for bits 19 to 15 of the CTR register.

SST (Setup engine Status)

Register address	DrawBaseAddress + 40C _H																															
Bit number	31	30	29	28	27	26	25	24	23	22	21	20	19	18	17	16	15	14	13	12	11	10	9	8	7	6	5	4	3	2	1	0
Bit field name																												SS				
R/W																												R				
Initial value																												00				

This is a miller register for bits 9 to 8 of the CTR register.

DST (DDA Status)

Register address	DrawBaseAddress + 410 _H																															
Bit number	31	30	29	28	27	26	25	24	23	22	21	20	19	18	17	16	15	14	13	12	11	10	9	8	7	6	5	4	3	2	1	0
Bit field name																												DS				
R/W																												RW				
Initial value																												00				

This is a mirror register for bits 5 to 4 of the CTR register.

PST (Pixel engine Status)

Register address	DrawBaseAddress + 414 _H																															
Bit number	31	30	29	28	27	26	25	24	23	22	21	20	19	18	17	16	15	14	13	12	11	10	9	8	7	6	5	4	3	2	1	0
Bit field name																												PS				
R/W																												R				
Initial value																												00				

This is a mirror register for bits 1 to 0 of the CTR register.

EST (Error Status)

Register address	DrawBaseAddress + 418 _H																															
Bit number	31	30	29	28	27	26	25	24	23	22	21	20	19	18	17	16	15	14	13	12	11	10	9	8	7	6	5	4	3	2	1	0
Bit field name																												FO	PE	CE		
R/W																												RW	RW	RW		
Initial value																												0	0	0		

This is a mirror register for bits 24 to 22 of the CTR register.

10.2.7 Drawing mode registers

When write to the registers, use the **SetRegister** command. The registers cannot be accessed from the CPU.

MDR0 (Mode Register for miscellaneous)

Register address	DrawBaseAddress + 420 _H																															
Bit number	31	30	29	28	27	26	25	24	23	22	21	20	19	18	17	16	15	14	13	12	11	10	9	8	7	6	5	4	3	2	1	0
Bit field name												ZP	CF					CY		CX	BSV						BSH					
R/W												RW	RW					RW		RW	RW						RW					
Initial value												0	00					0		0	00						00					

Bit 1 to 0 BSH (Bitmap Scale Horizontal)
 Sets horizontal zoom ratio of bitmap draw
 00 x1
 01 x2
 10 x1/2
 01 Reserved

Bit 3 to 2 BSV (Bitmap Scale Vertical)
 Sets vertical zoom ratio of bitmap draw
 00 x1
 01 x2
 10 x1/2
 01 Reserved

Bit 8 CX (Clip X enable)
 Sets X coordinates clipping mode
 0 Disabled
 1 Enabled

Bit 9 CY (Clip Y enable)
 Sets Y coordinates clipping mode
 0 Disabled
 1 Enabled

Bit 16 and 15 CF (Color Format)
 Sets drawing color format
 00 Indirect color mode (8 bits/pixel)
 01 Direct color mode (16 bits/pixel)
 10 Direct color mode (24 bits/pixel)

Bit 20 ZP (Z Precision)
 Sets the precision of the Z value used for erasing hidden planes.
 16 bits/pixel
 8 bits/pixel

MDR1/MDR1S/MDR1B (Mode Register for LINE/for Shadow/for Border/for TopLeft)

Register address	DrawBaseAddress + 424 _H																																	
Bit number	31	30	29	28	27	26	25	24	23	22	21	20	19	18	17	16	15	14	13	12	11	10	9	8	7	6	5	4	3	2	1	0		
Bit field name						LW																												
R/W																																		
Initial value																																		

This register sets the mode of line and pixel drawing.

This register is used for the body primitive, for the shade primitive, for the edge primitive, and for the top-left non-applicable primitive.

The value after a drawing that involves the shade primitive, the edge primitive, or the top-left non-applicable primitive is the value set for MDR1.

Bit 1 AS (Alpha Shading mode)
 Sets the shading mode for alpha.
 0 Alpha flat shading
 1 Alpha Gouraud shading

Bit 2 ZC (Z Compare mode)
 Sets Z comparison mode
 0 Disabled
 1 Enabled

Bit 5 to 3 ZCL (Z Compare Logic)
 Selects type of Z comparison
 000 NEVER
 001 ALWAYS
 010 LESS
 011 LEQUAL
 100 EQUAL
 101 GEQUAL
 110 GREATER
 111 NOTEQUAL

Bit 6 ZW (Z Write mode)
 Sets Z write mode
 0 Writes Z values.
 1 Not write Z values.

Bit 8 to 7 BM (Blend Mode)
 Sets blend mode
 00 Normal (source copy)
 01 Alpha blending
 10 Drawing with logic operation

	11	Reserved
Bit 12 to 9		LOG (Logical operation) Sets type of logic operation
	0000	CLEAR
	0001	AND
	0010	AND REVERSE
	0011	COPY
	0100	AND INVERTED
	0101	NOP
	0110	XOR
	0111	OR
	1000	NOR
	1001	EQUIV
	1010	INVERT
	1011	OR REVERSE
	1100	COPY INVERTED
	1101	OR INVERTED
	1110	NAND
	1111	SET
Bit 19		BL (Broken Line) Selects line type
	0	Solid line
	1	Broken line
Bit 20		BP (Broken line Period) Selects broken line cycle
	0:	32 bits
	1:	24 bits
Bit 28 to 24		LW (Line Width) Sets line width for drawing line
	00000	1 pixel
	00001	2 pixels
	:	:
	11111	32 pixels

MDR2/MDR2S/MDR2TL (Mode Register for Polygon/for Shadow/for TopLeft)

Register address	DrawBaseAddress + 428 _H																															
Bit number	31	30	29	28	27	26	25	24	23	22	21	20	19	18	17	16	15	14	13	12	11	10	9	8	7	6	5	4	3	2	1	0
Bit field name											LOG			BM	ZW	ZCL			ZC	AS	SM											
R/W											RW			RW	RW	RW			RW	RW	RW											
Initial value											0011			0	0	0000			0	0	0											

This register sets the polygon drawing mode.

This register is used for the body primitive, for the shade primitive, and for the top-left non-applicable primitive.

The value after a drawing that involves the shade primitive or the top-left non-applicable primitive is the value set for MDR2.

(Must set SM=AS=TT=0 for MDR2S)

Bit 0 SM (Shading Mode)
 Sets shading mode
 0 Flat shading
 1 Gouraud shading

Bit 1 AS (Alpha Shading mode)
 Sets alpha shading mode. This mode is enabled for only alpha.
 0 Alpha flat shading
 1 Alpha gouraud shading

Bit 2 ZC (Z Compare mode)
 Sets Z comparison mode
 0 Disabled
 1 Enabled

Bit 5 to 3 ZCL (Z Compare Logic)
 Selects type of Z comparison
 000 NEVER
 001 ALWAYS
 010 LESS
 011 LEQUAL
 100 EQUAL
 101 GEQUAL
 110 GREATER
 111 NOTEQUAL

Bit 6 ZW (Z Write mask)
 Sets Z write mode
 0 Writes Z values
 1 Not write Z values

Bit 8 to 7 BM (Blend Mode)
 Sets blend mode
 00 Normal (source copy)
 01 Alpha blending
 10 Drawing with logic operation
 11 Reserved

Bit 12 to 9 LOG (Logical operation)
 Sets type of logic operation
 0000 CLEAR
 0001 AND
 0010 AND REVERSE
 0011 COPY
 0100 AND INVERTED
 0101 NOP
 0110 XOR
 0111 OR
 1000 NOR
 1001 EQUIV
 1010 INVERT
 1011 OR REVERSE
 1100 COPY INVERTED
 1101 OR INVERTED
 1110 NAND
 1111 SET

Bit 29 to 28 TT (Texture-Tile Select)
 Selects texture or tile pattern
 00 Neither used
 01 Enabled tiling
 10 Enabled texture
 11 Reserved

MDR3 (Mode Register for Texture)

Register address	DrawBaseAddress + 42C _H																															
Bit number	31	30	29	28	27	26	25	24	23	22	21	20	19	18	17	16	15	14	13	12	11	10	9	8	7	6	5	4	3	2	1	0
Bit field name								BA	TAB			TBL			TWS		TWT		TF		TC		TBU									
R/W								RW	RW			RW			RW		RW		RW		RW		RW									
Initial value								0	00			00			00		00		0		0		0									

This register sets the texture mapping mode.

- Bit 0 TBU (Texture Buffer)

 Selects whether to use the internal buffer or graphics memory as texture memory. Internal buffer is always used for tiling.

 0 External (frame) Graphics Memory

 1 Internal buffer

- Bit 3 TC (Texture coordinates Correct)

 Sets texture coordinates correction mode

 0 Disabled

 1 Enabled

- Bit 5 TF (Texture Filtering)

 Sets type of texture interpolation (filtering)

 0 Point sampling

 1 Bi-linear filtering

- Bit 9 and 8 TWT (Texture Wrap T)

 Sets type of texture coordinates T direction wrapping

 00 Repeat

 01 Cramp

 10 Border

 11 Reserved

- Bit 11 and 10 TWS (Texture Wrap S)

 Sets type of texture coordinates S direction wrapping

 00 Repeat

 01 Cramp

 10 Border

 11 Reserved

- Bit 17 and 16 TBL (Texture Blend mode)

 Sets texture blending mode

 00 De-curl

 01 Modulate

 10 Stencil

11 Reserved

Bit 21 and 20 TAB (Texture Alpha Blend mode)

Sets texture blending mode

The stencil mode and the stencil alpha mode are enabled only when the MDR2 register blend mode (BM) is set to the alpha blending mode. If it is not set to the alpha blending mode, the stencil mode and stencil alpha mode perform the same function as the normal mode.

00 Normal

01 Stencil

10 Stencil alpha

11 Reserved

Bit 24 BA (Bilinear Accelerate Mode)

Improves the performance of bi-linear filtering, although a texture area of four times the default texture area is used.

0 Default texture area used

1 Texture area four times default texture area used

MDR4 (Mode Register for BLT)

Register address	DrawBaseAddress + 430H																															
Bit number	31	30	29	28	27	26	25	24	23	22	21	20	19	18	17	16	15	14	13	12	11	10	9	8	7	6	5	4	3	2	1	0
Bit field name													LOG		BM								TE									
R/W													RW		RW								RW									
Initial value													0011		00								0									

This register controls the BLT mode.

Bit 1 TE (Transparent Enable)
 Sets transparent mode
 0: Not perform transparent processing
 1: Not draw pixels that corresponds to set transparent color in BLT (transparency copy)
 Note: Set the blend mode (BM) to normal.

Bit 8 to 7 BM (Blend Mode)
 Sets blend mode
 00 Normal (source copy)
 01 Reserved
 10 Drawing with logic operation
 11 Reserved

Bit 12 to 9 LOG (Logical operation)
 Sets logic operation
 0000 CLEAR
 0001 AND
 0010 AND REVERSE
 0011 COPY
 0100 AND INVERTED
 0101 NOP
 0110 XOR
 0111 OR
 1000 NOR
 1001 EQUIV
 1010 INVERT
 1011 OR REVERSE
 1100 COPY INVERTED
 1101 OR INVERTED
 1110 NAND
 1111 SET

FBR (Frame buffer Base)

Register address	DrawBaseAddress + 440 _H																															
Bit number	31	30	29	28	27	26	25	24	23	22	21	20	19	18	17	16	15	14	13	12	11	10	9	8	7	6	5	4	3	2	1	0
Bit field name	FBASE																															
R/W	RW																								R0							
Initial value	Don't care																								0							

This register stores the base address of the drawing frame.

XRES (X Resolution)

Register address	DrawBaseAddress + 444 _H																															
Bit number	31	30	29	28	27	26	25	24	23	22	21	20	19	18	17	16	15	14	13	12	11	10	9	8	7	6	5	4	3	2	1	0
Bit field name																	XRES															
R/W	RW																															
Initial value	Don't care																															

This register sets the drawing frame horizontal resolution.

ZBR (Z buffer Base)

Register address	DrawBaseAddress + 448 _H																															
Bit number	31	30	29	28	27	26	25	24	23	22	21	20	19	18	17	16	15	14	13	12	11	10	9	8	7	6	5	4	3	2	1	0
Bit field name	ZBASE																															
R/W	RW																								R0							
Initial value	Don't care																								0							

This register sets the Z buffer base address.

TBR (Texture memory Base)

Register address	DrawBaseAddress + 44C _H																															
Bit number	31	30	29	28	27	26	25	24	23	22	21	20	19	18	17	16	15	14	13	12	11	10	9	8	7	6	5	4	3	2	1	0
Bit field name	TBASE																															
R/W	RW																								R0							
Initial value	Don't care																								0							

This register sets the texture memory base address.

PFBR (2D Polygon Flag-Buffer Base)

Register address	DrawBaseAddress + 450 _H																															
Bit number	31	30	29	28	27	26	25	24	23	22	21	20	19	18	17	16	15	14	13	12	11	10	9	8	7	6	5	4	3	2	1	0
Bit field name	PFBASE																															
R/W	RW																								R0							
Initial value	Don't care																								0							

This register sets the polygon flag buffer base address.

CXMIN (Clip X minimum)

Register address	DrawBaseAddress + 454 _H																															
Bit number	31	30	29	28	27	26	25	24	23	22	21	20	19	18	17	16	15	14	13	12	11	10	9	8	7	6	5	4	3	2	1	0
Bit field name																	CLIPXMIN															
R/W																	RW															
Initial value																	Don't care															

This register sets the clip frame minimum X position.

CXMAX (Clip X maximum)

Register address	DrawBaseAddress + 458 _H																															
Bit number	31	30	29	28	27	26	25	24	23	22	21	20	19	18	17	16	15	14	13	12	11	10	9	8	7	6	5	4	3	2	1	0
Bit field name																	CLIPXMAX															
R/W																	RW															
Initial value																	Don't care															

This register sets the clip frame maximum X position.

CYMIN (Clip Y minimum)

Register address	DrawBaseAddress + 45C _H																															
Bit number	31	30	29	28	27	26	25	24	23	22	21	20	19	18	17	16	15	14	13	12	11	10	9	8	7	6	5	4	3	2	1	0
Bit field name																	CLIPYMIN															
R/W																	RW															
Initial value																	Don't care															

This register sets the clip frame minimum Y position.

CYMAX (Clip Y maximum)

Register address	DrawBaseAddress + 460 _H																															
Bit number	31	30	29	28	27	26	25	24	23	22	21	20	19	18	17	16	15	14	13	12	11	10	9	8	7	6	5	4	3	2	1	0
Bit field name																	CLIPYMAX															
R/W																	RW															
Initial value																	Don't care															

This register sets the clip frame maximum Y position.

TXS (Texture Size)

Register address	DrawBaseAddress + 464 _H																															
Bit number	31	30	29	28	27	26	25	24	23	22	21	20	19	18	17	16	15	14	13	12	11	10	9	8	7	6	5	4	3	2	1	0
Bit field name	TXSN																TXSM															
R/W	RW																RW															
Initial value	100000000000																100000000000															

This register specifies the texture size (m, n).

Bit 12 to 0 TXSM (Texture Size M)

Sets horizontal texture size. Any power of 2 between 4 and 4096 can be used. Values that are not a power of 2 cannot be used.

0_0000_0000_0100	M=4	0_0010_0000_0000	M=512
0_0000_0000_1000	M=8	0_0100_0000_0000	M=1024
0_0000_0001_0000	M=16	0_1000_0000_0000	M=2048
0_0000_0010_0000	M=32	1_0000_0000_0000	M=4096
0_0000_0100_0000	M=64		
0_0000_1000_0000	M=128		
0_0001_0000_0000	M=256	Other than the above	Setting disabled

Bit 28 to 16 TXSN (Texture Size N)

Sets vertical texture size. Any power of 2 between 4 and 4096 can be used. Values that are not a power of 2 cannot be used.

0_0000_0000_0100	N=4	0_0010_0000_0000	N=512
0_0000_0000_1000	N=8	0_0100_0000_0000	N=1024
0_0000_0001_0000	N=16	0_1000_0000_0000	N=2048
0_0000_0010_0000	N=32	1_0000_0000_0000	N=4096
0_0000_0100_0000	N=64		
0_0000_1000_0000	N=128		
0_0001_0000_0000	N=256	Other than the above	Setting disabled

TIS (Tile Size)

Register address	DrawBaseAddress + 468 _H																															
Bit number	31	30	29	28	27	26	25	24	23	22	21	20	19	18	17	16	15	14	13	12	11	10	9	8	7	6	5	4	3	2	1	0
Bit field name																	TISN								TISM							
R/W																	RW								RW							
Initial value																	1000000								1000000							

This register specifies the tile size (m, n).

Bit 6 to 0 TISM (Title Size M)

Sets horizontal tile size. Any power of 2 between 4 and 64 can be used. Values that are not a power of 2 cannot be used.

0.000100 M=4

0001000 M=8

0010000 M=16

0100000 M=32

1000000 M=64

Other than the above Setting disabled

Bit 22 to 16 TISN (Title Size N)

Sets vertical tile size. Any power of 2 between 4 and 64 can be used. Values that are not a power of 2 cannot be used.

0000100 N=4

0001000 N=8

0010000 N=16

0100000 N=32

1000000 N=64

Other than the above Setting disabled

TOA (Texture Buffer Offset address)

Register address	DrawBaseAddress + 46C _H																															
Bit number	31	30	29	28	27	26	25	24	23	22	21	20	19	18	17	16	15	14	13	12	11	10	9	8	7	6	5	4	3	2	1	0
Bit field name																	XBO															
R/W																	RW															
Initial value																	Don't care															

This register sets the texture buffer offset address. Using this offset value, texture patterns can be referred to the texture buffer memory.

Specify the word-aligned byte address (16 bits). (Bit 0 is always "0".)

SHO (SHadow Offset)

Register address	DrawBaseAddress + 470 _H																															
Bit number	31	30	29	28	27	26	25	24	23	22	21	20	19	18	17	16	15	14	13	12	11	10	9	8	7	6	5	4	3	2	1	0
Bit field name	SHOFFS																															
R/W	RW																															
Initial value	Don't care																															

This register sets the offset address of the shadow relative to the body primitive at drawing with shadow.

At body drawing, this offset address is set to "0"; at shadow drawing, the offset address calculated from each offset value of the X coordinates and of the Y coordinates is set. This register is hardware controlled.

ABR (Alpha map Base)

Register address	DrawBaseAddress + 474 _H																															
Bit number	31	30	29	28	27	26	25	24	23	22	21	20	19	18	17	16	15	14	13	12	11	10	9	8	7	6	5	4	3	2	1	0
Bit field name	ABASE																															
R/W	RW																								R0							
Initial value	Don't care																								0							

This register sets the base address of the alpha map.

FC (Foreground Color)

Register address	DrawBaseAddress + 480 _H																															
Bit number	31	30	29	28	27	26	25	24	23	22	21	20	19	18	17	16	15	14	13	12	11	10	9	8	7	6	5	4	3	2	1	0
Bit field name																	FGC															
R/W																	RW															
Initial value																	0															

This register sets the drawing foreground color. This color is for the object color for flat shading and foreground color for bitmap drawing and broken line drawing. All bits set to “1” are drawn in the color set at this register.

8 bit color mode:

- Bit 7 to 0 FGC8 (Foreground 8 bit Color)
Sets the indirect color for the foreground (color index code).
- Bit 31 to 8 These bits are not used.

16 bit color mode:

- Bit 15 to 0 FGC16 (Foreground 16 bit Color)
This field sets the 16-bit direct color for the foreground.
Note that the handling of bit 15 is different from that in ORCHID.
Up to ORCHID, bit 15 is “0” for other than bit map and rectangular drawing, but starting with CORAL, the setting value is reflected in memory as is. This bit is also reflected in bit 15 of the 16-bit color at Gouraud shading.
- Bit 31 to 16 These bits are not used.

24 bit color mode:

- Bit 23 to 0 FGC24 (Foreground 24 bit Color)
This field sets the 24-bit direct color for the foreground.
- Bit 31 to 24 These bits are not used.
32-bit units are used for memory, but these bits are reflected in bit 31 to 24 (MSB side).

BC (Background Color)

Register address	DrawBaseAddress + 484 _H
Bit number	31 30 29 28 27 26 25 24 23 22 21 20 19 18 17 16 15 14 13 12 11 10 9 8 7 6 5 4 3 2 1 0
Bit field name	BGC8/16/24
R/W	RW
Initial value	0

This register sets the drawing frame background color. This color is used for the background color of bitmap drawing and broken line drawing. At bitmap drawing, all bits set to "0" are drawn in the color set at this register.

BT bit of this register allows the background color of be transparent (no drawing).

8 bit color mode:

- Bit 7 to 0 BGC8 (Background 8 bit Color)
Sets the indirect color for the background (color index code)
- Bit 14 to 8 Not used
- Bit 15 BT (Background Transparency)
Sets the transparent mode for the background color
0 Background drawn using color set for BGC field
1 Background not drawn (transparent)
- Bit 31 to 16 Not used

16 bit color mode:

- Bit 14 to 0 BGC16 (Background 16 bit Color)
Sets 16-bit direct color (RGB) for the background
- Bit 15 BT (Background Transparency)
Sets the transparent mode for the background color
0 Background drawn using color set for BGC field
1 Background not drawn (transparent)
- Bit 31 to 16 Not used

24 bit color mode:

- Bit 23 to 0 BGC24 (Background 24 bit Color)
Sets 24-bit direct color for the background
- Bit 30 to 24 Not used
32-bit units are used for memory, but these bits are reflected in bit 31 to 24 (MSB side)
- Bit 31 BT (Background Transparency)
Sets the transparent mode for the background color
0 Background drawn using color set for BGC field
1 Background not drawn (transparent)

ALF (Alpha Factor)

Register address	DrawBaseAddress + 488 _H																															
Bit number	31	30	29	28	27	26	25	24	23	22	21	20	19	18	17	16	15	14	13	12	11	10	9	8	7	6	5	4	3	2	1	0
Bit field name																													A			
R/W																													RW			
Initial value																													0			

This register sets the alpha blending coefficient.

BLP (Broken Line Pattern)

Register address	DrawBaseAddress + 48C _H																															
Bit number	31	30	29	28	27	26	25	24	23	22	21	20	19	18	17	16	15	14	13	12	11	10	9	8	7	6	5	4	3	2	1	0
Bit field name	BLP																															
R/W	RW																															
Initial value	0																															

This register sets the broken-line pattern. The bit 1 set in the broken-line pattern is drawn in the foreground color and bit 0 is drawn in the background color. The line pattern for 1 pixel line is laid out in the direction of MSB to LSB and when it reaches LSB, it goes back to MSB. The BLPO register manages the bit numbers of the broken-line pattern. 32 or 24 bits can be selected as the repetition of the broken-line pattern by the BP bit of the MDR1 register. When 24 bits are selected, bits 23 to 0 of the BLP register are used.

TBC (Texture Border Color)

Register address	DrawBaseAddress + 494 _H																															
Bit number	31	30	29	28	27	26	25	24	23	22	21	20	19	18	17	16	15	14	13	12	11	10	9	8	7	6	5	4	3	2	1	0
Bit field name	BC16/24																															
R/W	RW																															
Initial value	0																															

This register sets the border color for texture mapping.

16 bit color mode:

- Bit 15 to 0 BC16 (Border Color)
Sets the 16-bit direct color for the texture border color

24 bit color mode:

- Bit 23 to 0 BC24 (Border Color)
Sets the 24-bit direct color for the texture border color
- Bit 31 to 24 Not used
32-bit units are used for memory but these bits are reflected in bit 31 to 24 (MSB side)

BLPO (Broken Line Pattern Offset)

Register address	DrawBaseAddress + 3E0 _H																															
Bit number	31	30	29	28	27	26	25	24	23	22	21	20	19	18	17	16	15	14	13	12	11	10	9	8	7	6	5	4	3	2	1	0
Bit field name																													BCR			
R/W																													RW			
Initial value																													1111			

This register stores the bit number of the broken-line pattern set to BLP registers, for broken line drawing. This value is decremented at each pixel drawing. Broken line can be drawn starting from any starting position of the specified broken-line pattern by setting any value at this register. When no write is performed, the position of broken-line pattern is sustained.

(Texture coordinates-setting register)

Register	Address	31	30	29	28	27	26	25	24	23	22	21	20	19	18	17	16	15	14	13	12	11	10	9	8	7	6	5	4	3	2	1	0	
Ss	00c0 _H	S	S	S																														
dSdx	00c4 _H	S	S	S																														
dSdy	00c8 _H	S	S	S																														
Ts	00cc _H	S	S	S																														
dTdx	00d0 _H	S	S	S																														
dTdy	00d4 _H	S	S	S																														
Qs	00d8 _H	0	0	0	0	0	0	0	0	Int																								
dQdx	00dc _H	S	S	S	S	S	S	S	S	Int																								
dQdy	00e0 _H	S	S	S	S	S	S	S	S	Int																								

- Address Offset from DrawBaseAddress
- S Sign bit or sign extension
- 0 Not used or 0 extension
- Int Integer or integer part of fixed point data
- Frac Fraction part of fixed point data

Sets texture coordinates parameters for triangle drawing

Ss	S texture coordinates (Xs, Ys, Zs) of long edge corresponding to Ys
dSdx	S DDA value of horizontal direction
dSdy	S DDA value of long edge direction
Ts	T texture coordinates (Xs, Ys, Zs) of long edge corresponding to Ys
dTdx	T DDA value of horizontal direction
dTdy	T DDA value of long edge direction
Qs	Q (Perspective correction value) of texture at (Xs, Ys, Zs) of long edge corresponding to Ys
dQdx	Q DDA value of horizontal direction
dQdy	Q DDA value of long edge direction

10.2.9 Line drawing registers

Each register is used by the drawing commands. The registers cannot be accessed from the CPU or by using the **SetRegister** command.

(Coordinates setting register)

Register	Address	31	30	29	28	27	26	25	24	23	22	21	20	19	18	17	16	15	14	13	12	11	10	9	8	7	6	5	4	3	2	1	0									
LPN	0140 _H	0	0	0	0	Int														0																						
LXs	0144 _H	S	S	S	S	Int														Frac																						
LXde	0148 _H	S	S	S	S	S	S	S	S	S	S	S	S	S	S	S	S	S	S	S	S	S	S	S	S	S	S	S	S	S	S	S	Frac									
LYs	014c _H	S	S	S	S	Int														Frac																						
LYde	0150 _H	S	S	S	S	S	S	S	S	S	S	S	S	S	S	S	S	S	S	S	S	S	S	S	S	S	S	S	S	S	S	S	Frac									
LZs	0154 _H	S	Int														Frac																									
LZde	0158 _H	S	Int														Frac																									

- Address Offset from DrawBaseAddress
 - S Sign bit or sign extension
 - 0 Not used or 0 extension
 - Int Integer or integer part of fixed point data
 - Frac Fraction part of fixed point data
- Sets coordinates parameters for line drawing

LPN	Pixel count of principal axis direction
LXs	X coordinates start position of draw line (In principal axis X) Integer value of X coordinates rounded off (In principal axis Y) X coordinates in form of fixed point data
LXde	Inclination data for X coordinates (In principal axis X) Increment or decrement according to drawing direction (In principal axis Y) Fraction part of DX/DY
LYs	Y coordinates start position of draw line (In principal axis X) Y coordinates in form of fixed point data (In principal axis Y) Integer value of Y coordinates rounded off
LYde	Inclination data for Y coordinates (In principal axis X) Fraction part of DY/DX (In principal axis Y) Increment or decrement according to drawing direction
LZs	Z coordinates start position of line drawing line
LZde	Z Inclination

10.2.10 Pixel drawing registers

Each register is used by the drawing commands. The registers cannot be accessed from the CPU or using the **SetRegister** command.

Register	Address	31	30	29	28	27	26	25	24	23	22	21	20	19	18	17	16	15	14	13	12	11	10	9	8	7	6	5	4	3	2	1	0
PXdc	0180 _H	0	0	0	0	Int												0															
PYdc	0184 _H	0	0	0	0	Int												0															
PZdc	0188 _H	0	0	0	0	Int												0															

- Address Offset from DrawBaseAddress
- S Sign bit or sign extension
- 0 Not used or 0 extension
- Int Integer or integer part of fixed point data
- Frac Fraction part of fixed point data

Sets coordinates parameter for drawing pixel. The foreground color is used.

PXdc	Sets X coordinates position
PYdc	Sets Y coordinates position
PZdc	Sets Z coordinates position

10.2.11 Rectangle drawing registers

Each register is used by the drawing commands. The registers cannot be accessed from the CPU or using the **SetRegister** command.

Register	Address	31	30	29	28	27	26	25	24	23	22	21	20	19	18	17	16	15	14	13	12	11	10	9	8	7	6	5	4	3	2	1	0
RXs	0200 _H	0	0	0	0	Int												0															
Rys	0204 _H	0	0	0	0	Int												0															
RsizeX	0208 _H	0	0	0	0	Int												0															
RsizeY	020C _H	0	0	0	0	Int												0															

- Address Offset from DrawBaseAddress
- S Sign bit or sign extension
- 0 Not used or 0 extension
- Int Integer or integer part of fixed point data
- Frac Fraction part of fixed point data

Sets coordinates parameters for rectangle drawing. The foreground color is used.

RXs	Sets the X coordinates of top left vertex
Rys	Sets the Y coordinates of top left vertex
RsizeX	Sets horizontal size
RsizeY	Sets vertical size

10.2.12 Blt registers

Sets the parameters of each register as described below:

- Set the Tcolor register with the **SetRegister** command.
Note that the Tcolor register cannot be set at access from the CPU and by drawing commands.
- Each register except the Tcolor register is set by executing a drawing command.
Note that access from the CPU and the **SetRegister** command cannot be used.

Register	Address	31	30	29	28	27	26	25	24	23	22	21	20	19	18	17	16	15	14	13	12	11	10	9	8	7	6	5	4	3	2	1	0
SADDR	0240 _H	0	0	0	0	0	0	0	Address																								
SStride	0244 _H	0	0	0	0	Int										0																	
SRXs	0248 _H	0	0	0	0	Int										0																	
SRYs	024C _H	0	0	0	0	Int										0																	
DADDR	0250 _H	0	0	0	0	0	0	0	Address																								
DStride	0254 _H	0	0	0	0	Int										0																	
DRXs	0258 _H	0	0	0	0	Int										0																	
DRYs	025C _H	0	0	0	0	Int										0																	
BRsizeX	0260 _H	0	0	0	0	Int										0																	
BRsizeY	0264 _H	0	0	0	0	Int										0																	
TColor	0280 _H	0																Color															

- Address Offset from DrawBaseAddress
- S Sign bit or sign extension
- 0 Not used or 0 extension
- Int Integer or integer part of fixed point data
- Frac Fraction part of fixed point data

Sets parameters for Blt operations

SADDR	Sets start address of source rectangle area in byte address
SStride	Sets stride of source
SRXs	Sets X coordinates start position of source rectangle area
SRYs	Sets Y coordinates start position of source rectangle area
DADDR	Sets start address of destination rectangle area in byte address
DStride	Sets stride of destination
DRXs	Sets X coordinates start position of destination rectangle area
DRYs	Sets Y coordinates start position of destination rectangle area
BRsizeX	Sets horizontal size of rectangle
BRsizeY	Sets vertical size of rectangle
Tcolor	Sets transparent color For indirect color, set a palette code in the lower 8 bits.

10.2.13 High-speed 2D line drawing registers

Each register is used by the drawing commands. The registers cannot be accessed from the CPU.

Register	Address	31	30	29	28	27	26	25	24	23	22	21	20	19	18	17	16	15	14	13	12	11	10	9	8	7	6	5	4	3	2	1	0
LX0dc	0540 _H	0	0	0	0	Int												0															
LY0dc	0544 _H	0	0	0	0	Int												0															
LX1dc	0548 _H	0	0	0	0	Int												0															
LY1dc	054C _H	0	0	0	0	Int												0															

- Address Offset from DrawBaseAddress
- S Sign bit or sign extension
- 0 Not used or 0 extension
- Int Integer or integer part of fixed point data
- Frac Fraction part of fixed point data

Sets coordinates of line end points for High-speed 2DLine drawing

LX0dc	Sets X coordinates of vertex V0
LY0dc	Sets Y coordinates of vertex V0
LX1dc	Sets X coordinates of vertex V1
LY1dc	Sets Y coordinates of vertex V1

10.2.14 High-speed 2D triangle drawing registers

Each register is used by the drawing commands. The registers cannot be accessed from the CPU or using the **SetRegister** command.

Register	Address	31	30	29	28	27	26	25	24	23	22	21	20	19	18	17	16	15	14	13	12	11	10	9	8	7	6	5	4	3	2	1	0
X0dc	0580h	0	0	0	0	Int												0															
Y0dc	0584h	0	0	0	0	Int												0															
X1dc	0588h	0	0	0	0	Int												0															
Y1dc	058ch	0	0	0	0	Int												0															
X2dc	0590h	0	0	0	0	Int												0															
Y2dc	0594h	0	0	0	0	Int												0															

Address Offset from DrawBaseAddress

S Sign bit or sign extension

0 Not used or 0 extension

Int Integer or integer part of fixed point data

Frac Fraction part of fixed point data

Sets coordinates of three vertices for High-speed 2D Triangle drawing

X0dc	Sets X coordinates of vertex V0
Y0dc	Sets Y coordinates of vertex V0
X1dc	Sets X coordinates of vertex V1
Y1dc	Sets Y coordinates of vertex V1
X2dc	Sets X coordinates of vertex V2
Y2dc	Sets Y coordinates of vertex V2

10.2.15 Geometry control register

GCTR (Geometry Control Register)

Register address	GeometryBaseAddress + 00 _H																															
Bit number	31	30	29	28	27	26	25	24	23	22	21	20	19	18	17	16	15	14	13	12	11	10	9	8	7	6	5	4	3	2	1	0
Bit field name	Reserved				FO	Rsv		FCNT				NF	FF	FE	Rsv		GS	Rsv		SS	Rsv		PS									
R/W	RX				RX	RX		RX				RX	RX	RX	RX		R	RX		R	RX		R									
Initial value	X				0	X		100000				0	0	1	X		00	X		00	X		00									

The flags and status information of the geometry section are reflected in this register.

Note that the flags and status information of the drawing section are reflected in CTR.

Bit 1 and 0 PS (Pixel engine Status)

Indicates status of pixel engine unit

- 00 Idle
- 01 Processing
- 10 Reserved
- 11 Reserved

Bit 5 and 4 SS (geometry Setup engine Status)

Indicates status of geometry setup engine unit

- 00 Idle
- 01 Processing
- 10 Processing
- 11 Reserved

Bit 9 and 8 GS (Geometry engine Status)

Indicates status of geometry engine unit

- 00 Idle
- 01 Processing
- 10 Reserved
- 11 Reserved

Bit 12 FE (FIFO Empty)

Indicates whether the data is contained in display list FIFO (DFIFOD)

- 0 Data in DFIFOD
- 1 No data in DFIFOD

Bit 13 FF (FIFO Full)

Indicates whether display list FIFO (DFIFOD) is full or not

- 0 DFIFOD not full
- 1 DFIFOD full

- Bit 14 NF (FIFO Near Full)
Indicates free space in display list FIFO (DFIFOD)
0 More than half of DFIFOD free
1 Less than half of DFIFOD free
- Bit 20 to 15 FCNT (FIFO Counter)
Indicates count of free stages (0 to 100000_H) of display list FIFO (DFIFOD)
- Bit 24 FO (FIFO Overflow)
Indicates whether FIFO overflow occurred
0 Normal
1 FIFO overflow

10.2.16 Geometry mode registers

The **SetRegister** command is used to write values to geometry mode registers. The geometry mode registers cannot be accessed from the CPU.

GMDR0 (Geometry Mode Register for Vertex)

Register address	GeometryBaseAddress + 40 _H																															
Bit number	31	30	29	28	27	26	25	24	23	22	21	20	19	18	17	16	15	14	13	12	11	10	9	8	7	6	5	4	3	2	1	0
Bit field name																	CF	DF		ST	Z	C	F									
R/W																	RW	RW		RW	RW	RW	RW									
Initial value																	0	00		0	0	0	0									

This register sets the types of parameters input as vertex data and the type of projective transformation.

- Bit 7 CF (Color Format)
 Specifies color data format
 0 Independent RGB format/Packed RGB format
 1 Reserved

- Bit 6 and 5 DF (Data Format)
 Specifies vertex coordinates data format
 00 Specifies floating-point format (Only independent RGB format can be used as color data format.)
 01 Specifies fixed-point format (Only packed RGB format can be used as color data format.)
 10 Reserved
 11 Specifies packed integer format (Only packed RGB format can be used as color data format.)

CF	DF	Input data format
0	00	Floating-point format + independent RGB format
	01	Fixed-point format + packed RGB format
	10	Reserved
	11	Packed integer format + packed RGB format
1	00	Reserved
	01	Reserved
	10	Reserved
	11	Reserved

- Bit 3 ST (texture S and T data enable)
Sets whether to use texture ST coordinates
0 Not use texture ST coordinates
1 Uses texture ST coordinates
- Bit 2 Z (Z data enable)
Sets whether to use Z coordinates
0 Not use Z coordinates
1 Uses Z coordinates
- Bit 1 C (Color data enable)
Sets whether to use vertex color
0 Not use vertex color
1 Uses vertex color
- Bit 0 F (Frustum mode)
Sets projective transformation mode
0 Orthogonal projection transformation mode
1 Perspective projection transformation mode

GMDR1 (Geometry Mode Register for Line)

Register address	GeometryBaseAddress + 44 _H																															
Bit number	31	30	29	28	27	26	25	24	23	22	21	20	19	18	17	16	15	14	13	12	11	10	9	8	7	6	5	4	3	2	1	0
Bit field name																																
R/W																																
Initial value																																

This register sets the geometry mode at line drawing.

Bit 4 BO (Broken line Offset)
 Sets broken line reference position
 0 Broken line reference position not cleared
 1 Broken line reference position cleared

Bit 2 EP (End Point mode)
 Sets end point drawing mode
 Note that the end point is not drawn in line strip.
 0 End point not drawn
 1 End point drawn

Bit 0 AA (Anti-alias mode)
 Sets anti-alias mode
 0 Anti-alias not performed
 1 Anti-alias performed

GMDR1E (Geometry Mode Register for Line Extension)

Register address	(SetGModeRegister)																															
Bit number	31	30	29	28	27	26	25	24	23	22	21	20	19	18	17	16	15	14	13	12	11	10	9	8	7	6	5	4	3	2	1	0
Bit field name	PO	LV										TC				BC		UW	BM	TM			BP	SP				BO		EP		AA
R/W	W	W										W				W		W	W	W			W	W				W		W		W
Initial value	0	0										0				0		0	0	0			0	0				0		0		0

This register sets the geometry processing extended mode at line drawing.

The CORAL extended function can be used only when the C, Z, and ST fields of GMDR0 are “0”.

- Bit 31 PO (Primitive Order Control)
 Sets the draw order for body/edge/shadow
 0 Body -> Edge -> shadow (faster)
 1 Shadow -> Edge -> Body (quality for anti-alias)

- Bit 30 LV (Line Version Control)
 Sets the Coral Line algorithm version
 0 Version 1.0 (for backward compatibility)
 1 Version 2.0 (recommended)

- Bit 20 TC (Thick line Correct)
 Sets the interpolation mode for the bold line joint
 0 Interpolation of bold line joint not performed
 1 Interpolation of bold line joint performed

- Bit 16 BC (Broken line Correct)
 Sets the interpolation mode for the dashed-line pattern
 0 Interpolation not performed
 1 Interpolation performed using dashed-line pattern reference address fixed mode

- Bit 14 UW (Uniform line Width)
 Sets the line width equalization mode
 0 Equalization of line width not performed
 1 Equalization of line width performed

- Bit 13 BM (Broken line Mode)
 Sets the dashed-line pattern mode
 0 Dashed-line pattern pasted vertical to principal axis of line (compatible with CREMSON).
 1 Dashed-line pattern pasted vertical to theoretical line

- Bit 12 TM (Thick line Mode)
 Sets the bold line mode
 0 Bold line drawn vertical to principal axis of line (compatible with CREMSON)
 Operation is not assured when TM = 0 is used together with TC = 1, SP = 1, or BP = 1.

- 1 Bold line drawn vertical to theoretical line
Operation is not assured when TM = 1 is used together with BM = 0.

- Bit 9 BP (Border Primitive)
Sets the drawing mode for the border primitive
 - 0 Border primitive not drawn
 - 1 Border primitive drawn

- Bit 8 SP (Shadow Primitive)
Sets the drawing mode for the shadow primitive
 - 0 Shadow primitive not drawn
 - 1 Shadow primitive drawn

- Bit 4 BO (Broken line Offset)
Sets the reference position of the dashed-line pattern
 - 0 Reference position of dashed-line pattern cleared
 - 1 Reference position of dashed-line pattern not cleared

- Bit 2 EP (End Point mode)
Sets the drawing mode for the end point
Note that the end point is always not drawn in line strip
 - 0 End point not drawn
 - 1 End point drawn

- Bit 0 AA (Anti-alias mode)
Sets anti-alias mode
 - 0 Anti-alias not performed
 - 1 Anti-alias performed

GMDR2 (Geometry Mode Register for Triangle)

Register address	GeometryBaseAddress + 48 _H																															
Bit number	31	30	29	28	27	26	25	24	23	22	21	20	19	18	17	16	15	14	13	12	11	10	9	8	7	6	5	4	3	2	1	0
Bit field name																											FD	CF				
R/W																											W	W				
Initial value																											0	0				

This register sets the geometry processing mode when a triangle is drawn.

Drawing performed using commands in range from **G_Begin/G_BeginCont** to **G_End**

- Bit 2 FD (Face Definition)
Sets the face definition
 - 0 Face defined as state with vertexes arranged clockwise
 - 1 Face defined as state with vertexes arranged counterclockwise

Bit 0 CF (Cull Face)
 Sets the drawing mode of the back
0 Back drawn
1 Back not drawn (value disabled for polygons)

GMDR2E (Geometry Mode Register for Triangle Extension)

Register address	(SetGModeRegister)																															
Bit number	31	30	29	28	27	26	25	24	23	22	21	20	19	18	17	16	15	14	13	12	11	10	9	8	7	6	5	4	3	2	1	0
Bit field name											TL	SP							FD	CF												
R/W											W	W							W	W												
Initial value											0	0							0	0												

This register sets the geometry processing extended mode at triangle drawing.

- Bit 10 TL (Top-Left rule mode)
 Sets the drawing algorithm
 0 Top-left rule applied (compatible with CREMSON)
 1 Top-left rule not applied

- Bit 8 SP (Shadow Primitive)
 Sets the drawing mode for the shadow primitive
 0 Shadow primitive not drawn
 1 Shadow primitive drawn

- Bit 2 FD (Face Definition)
 Sets the face definition
 0 Face defined as state with vertexes arranged clockwise
 1 Face defined as state with vertexes arranged counterclockwise

- Bit 0 CF (Cull Face)
 Sets the drawing mode of the back
 0 Back drawn
 1 Back not drawn (value disabled for polygons)

10.2.17 Display list FIFO registers

DFIFOG (Geometry Displaylist FIFO with Geometry)

Register address	Geometry BaseAddress + 400 _H																															
Bit number	31	30	29	28	27	26	25	24	23	22	21	20	19	18	17	16	15	14	13	12	11	10	9	8	7	6	5	4	3	2	1	0
Bit field name	DFIFOG																															
R/W	W																															
Initial value	Don't care																															

FIFO registers for Display List transfer

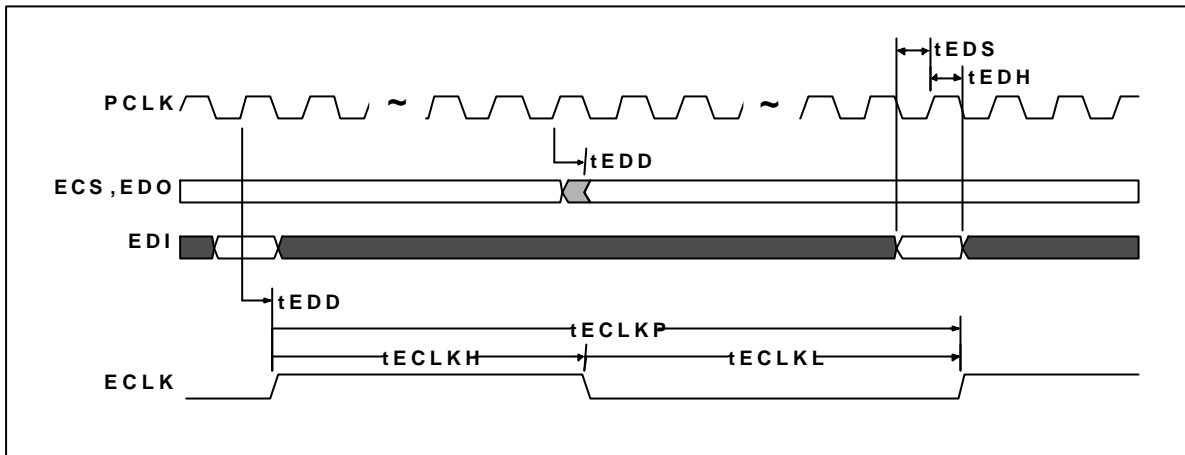
11. TIMING DIAGRAM

11.1 Host Interface

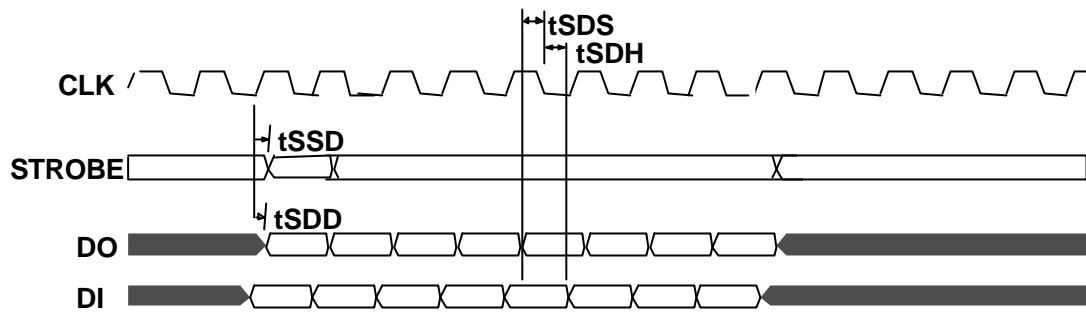
11.1.1 PCI Interface

Standard PCI V2.1.

11.1.2 EEPROM Timing



11.1.3 Serial Interface Timing



11.2 I²C Interface

I²C Bus Timing

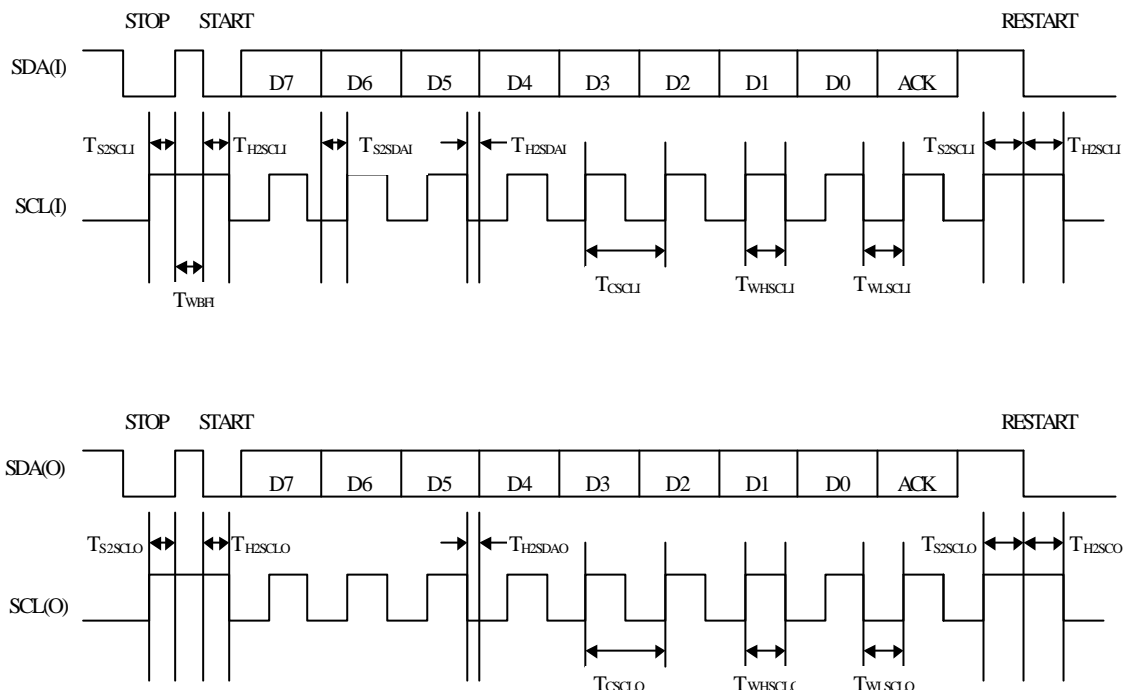


Fig.11.1 I2C bus timing

Interruption Timing

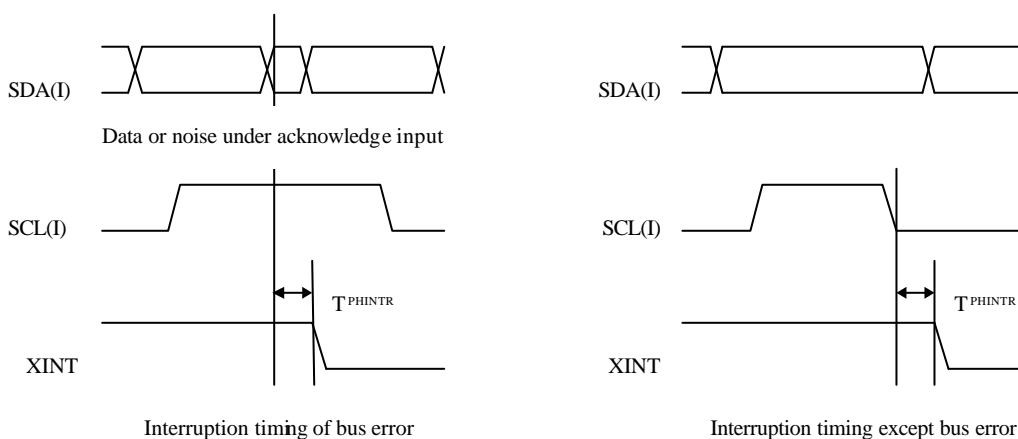


Fig.11.2 Interruption timing

11.3 Graphics Memory Interface

The CORAL access timing and graphics memory access timing are explained here.

11.3.1 Timing of read access to same row address

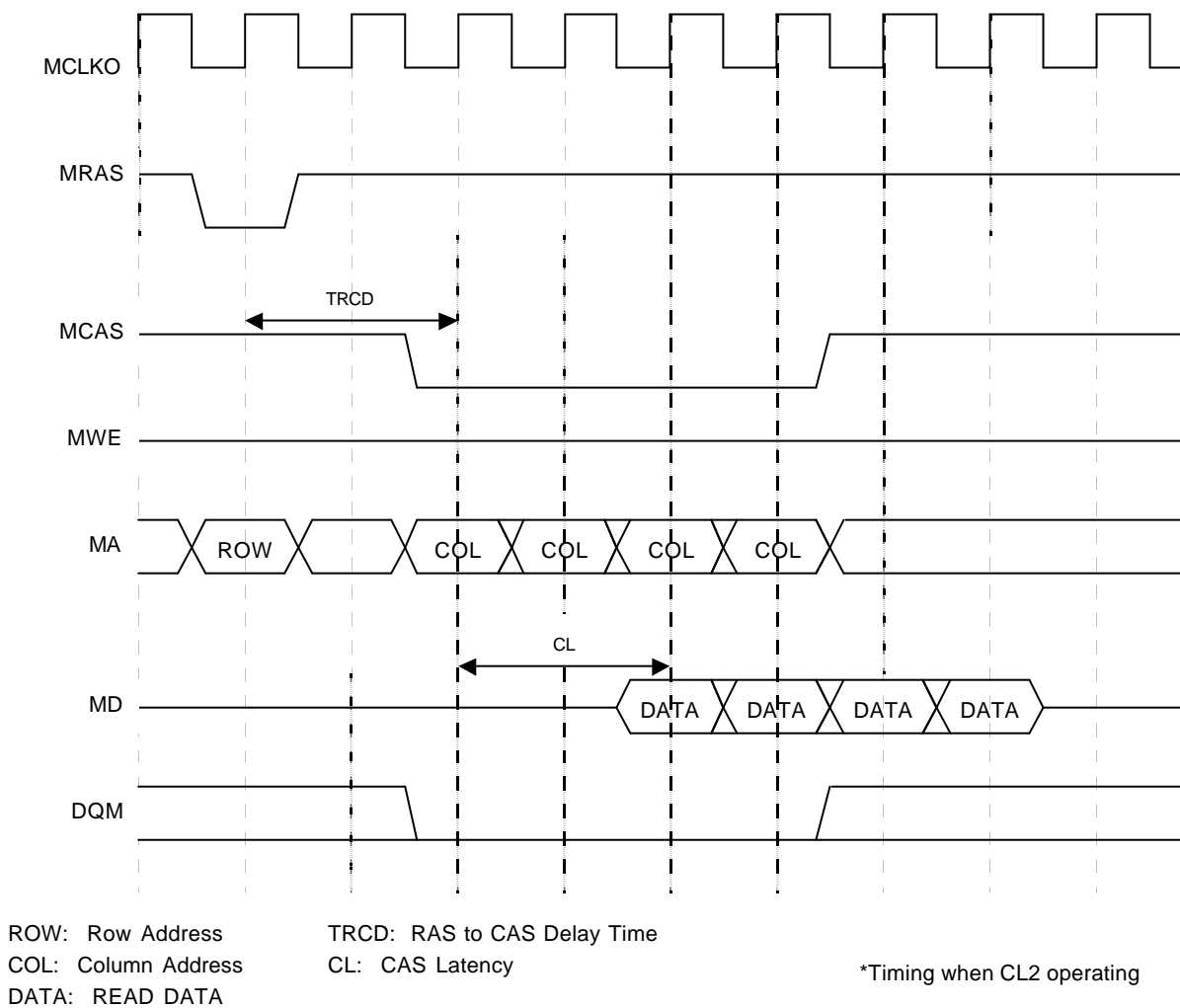


Fig. 11.3 Timing of Read Access to Same Row Address

The above timing diagram shows that read access is made four times from CORAL to the same row address of SDRAM. The **ACTV** command is issued and then the **READ** command is issued after TRCD elapses. Then data that is output after the elapse of CL after the **READ** command is issued is captured into CORAL.

11.3.2 Timing of read access to different row addresses

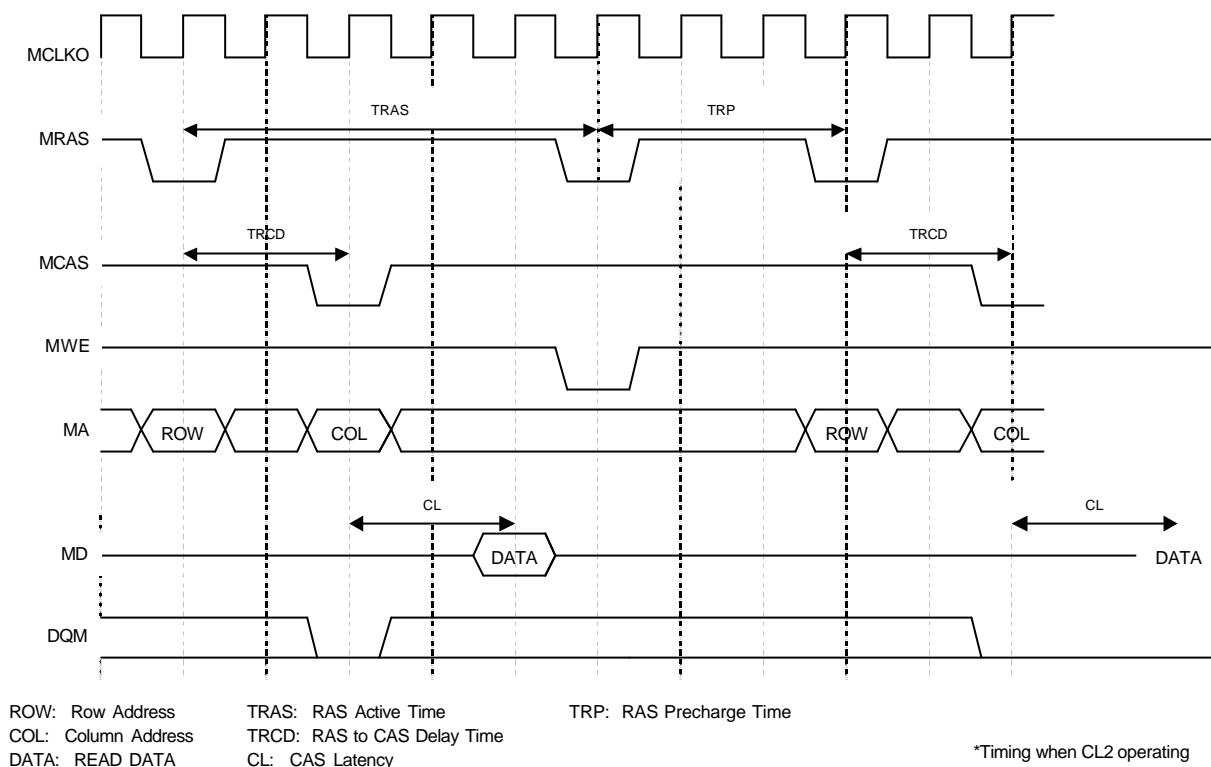


Fig. 11.4 Timing of Read Access to Different Row Addresses

The above timing diagram shows that read access is made from CORAL to different row addresses of SDRAM. The first and next address to be read fall across an SDRAM page boundary, so the **Pre-charge** command is issued at the timing satisfying TRAS, and then after the elapse of TRP, the **ACTV** command is reissued, and then the **READ** command is issued.

11.3.3 Timing of write access to same row address

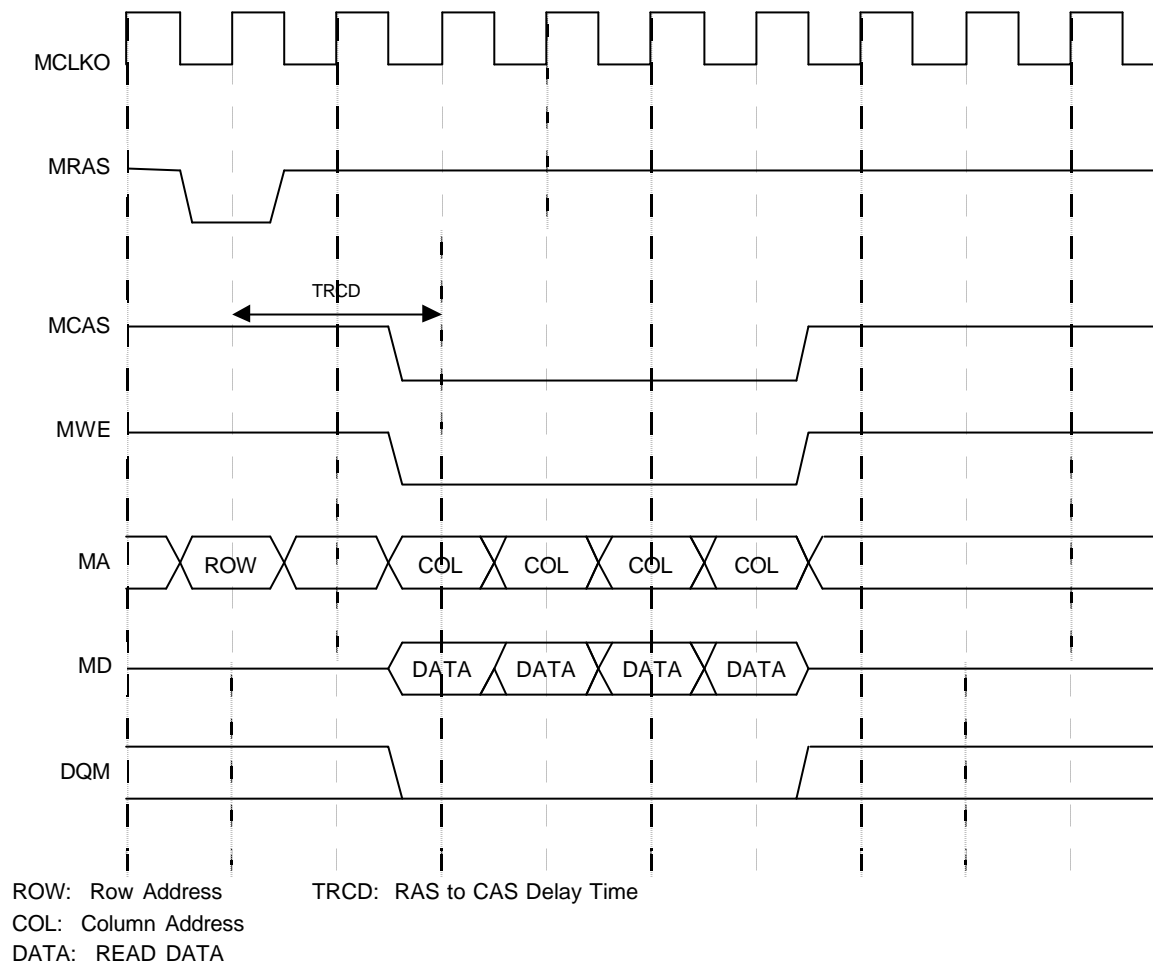


Fig. 11.5 Timing of Write Access to Same Row Address

The above timing diagram shows that write access is made form times form CORAL to the same row address of SDRAM.

The **ACTV** command is issued, and then after the elapse of TRCD, the **WRITE** command is issued to write to SDRAM.

11.3.4 Timing of write access to different row addresses

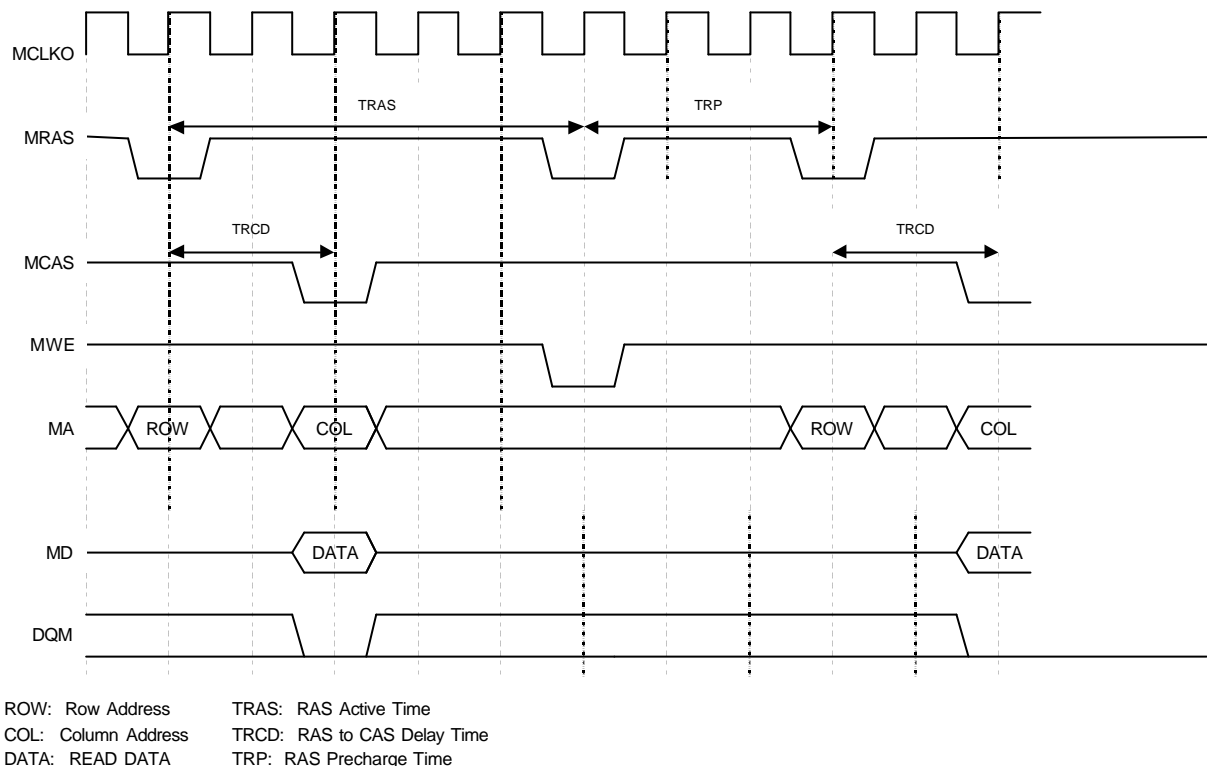


Fig. 11.6 Timing of Write Access to Different Row Addresses

The above timing diagram shows that write access is made from CORAL to different row addresses of SDRAM. The first and next address to be write fall across an SDRAM page boundary, so the **Pre-charge** command is issued at the timing satisfying TRAS, and then after the elapse of TRP, the **ACTV** command is reissued, and then the **WRITE** command is issued.

11.3.5 Timing of read/write access to same row address

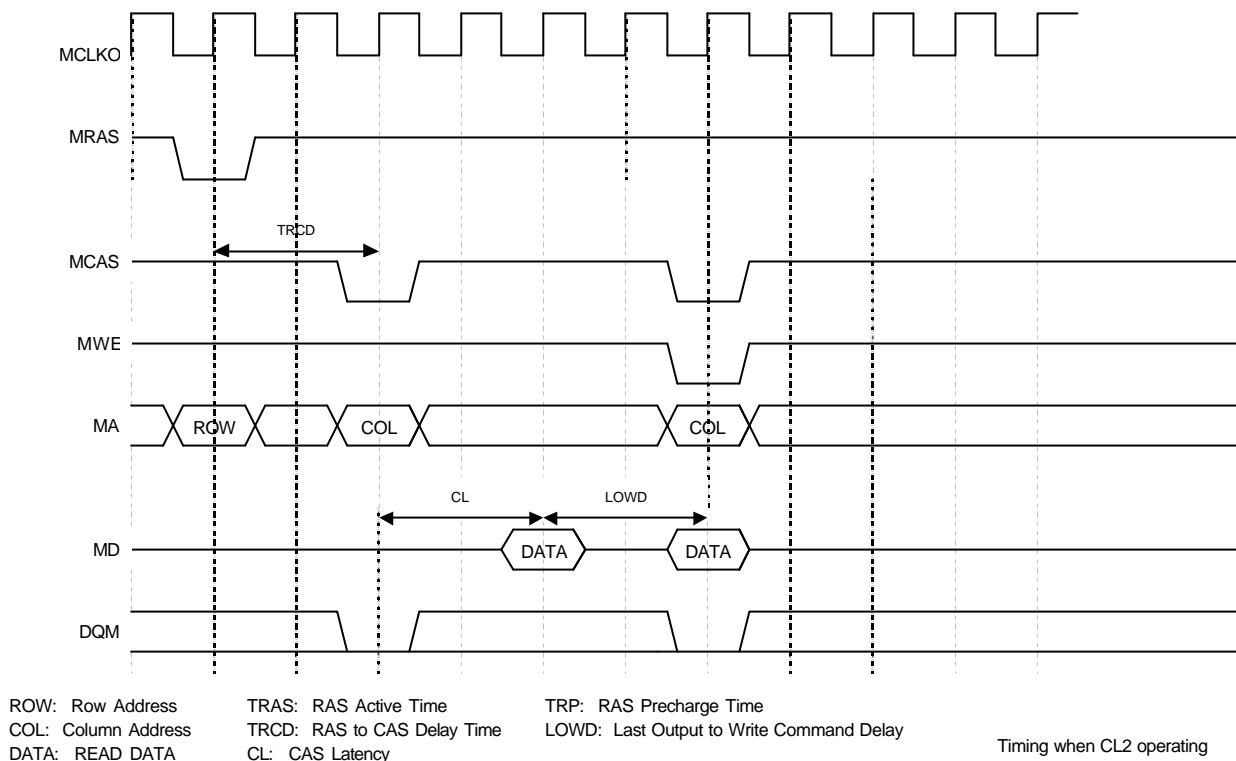


Fig. 11.7 Timing of Read/Write Access to Same Row Address

The above timing diagram shows that write access is made immediately after read access is made from CORAL to the same row address of SDRAM.

Read data is output from SDRAM, LOWD elapses, and then the **WRITE** command is issued.

11.3.6 Delay between ACTV commands

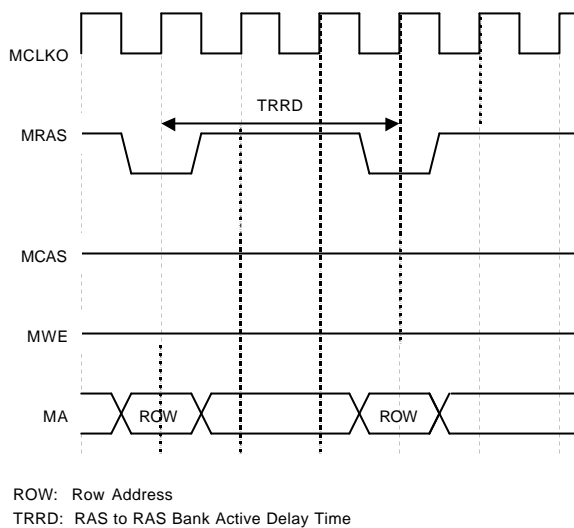


Fig.11.8 Delay between ACTV Commands

The ACTV command is issued from CORAL to the row address of SDRAM after the elapse of **TRRD** after issuance of the previous **ACTV** command.

11.3.7 Delay between Refresh command and next ACTV command

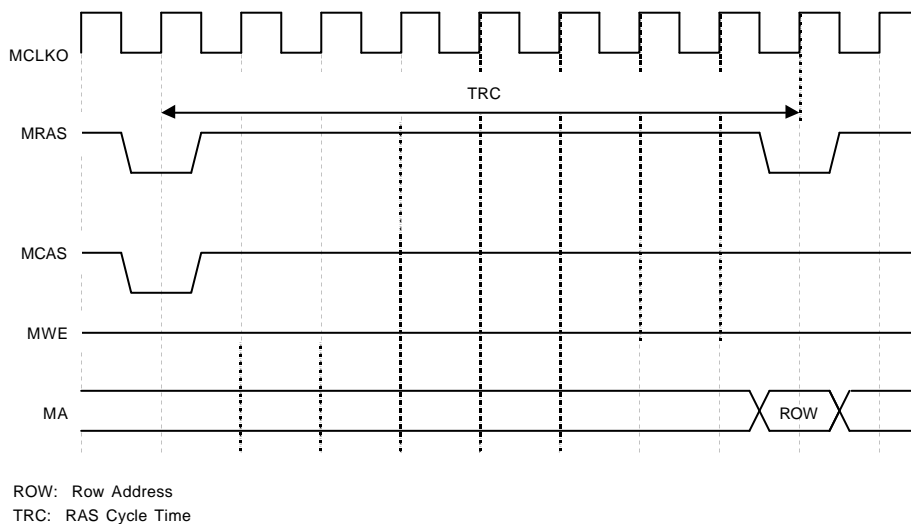


Fig. 11.9 Delay between Refresh Command and Next ACTV Command

The **ACTV** command is issued after the elapse of TRC after issuance of the **Refresh** command.

11.4 Display Timing

11.4.1 Non-interlace mode

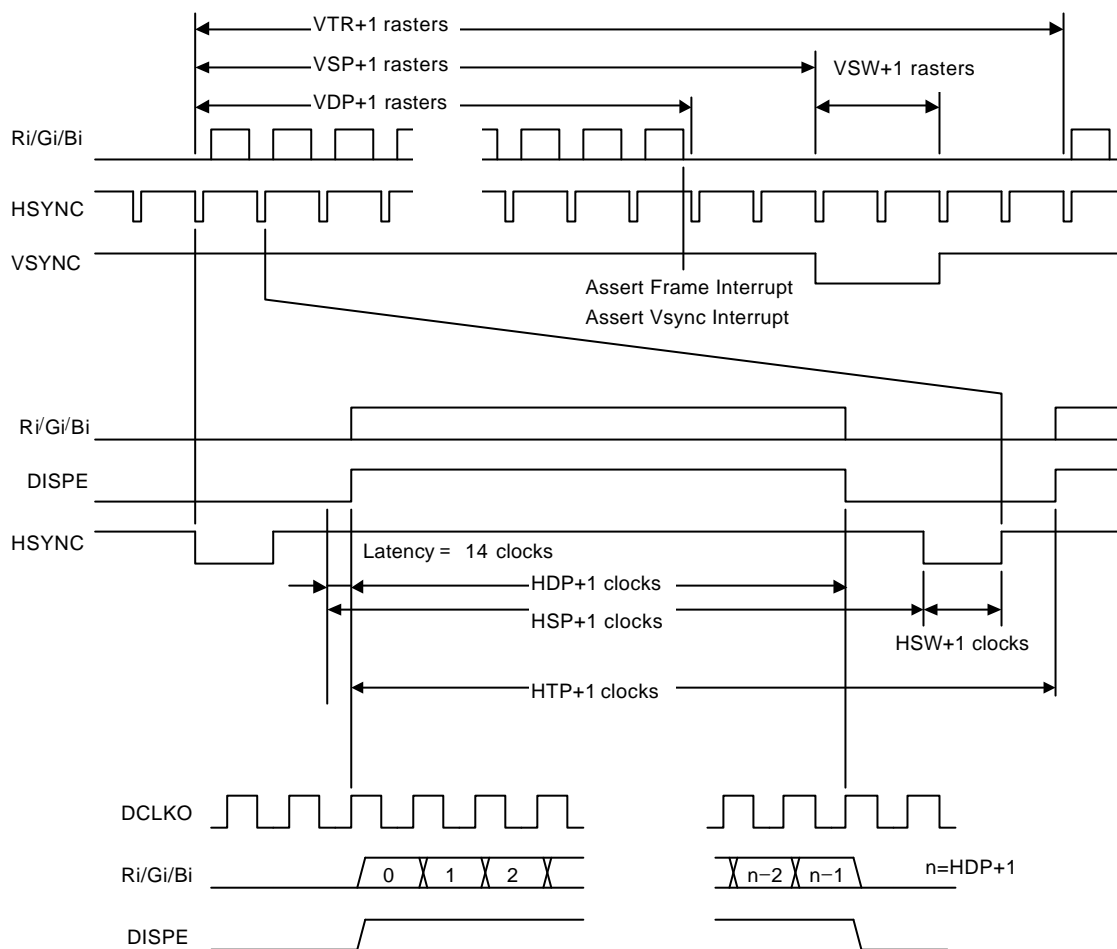


Fig. 11.10 Non-interlace Timing

In the above diagram, VTR, HDP, etc., are the setting values of their associated registers.

The VSYNC/frame interrupt is asserted when display of the last raster ends. When updating display parameters, synchronize with the frame interrupt so no display disturbance occurs. Calculation for the next frame is started immediately after the vertical synchronization pulse is asserted, so the parameters must be updated by the time that calculation is started.

11.4.2 Interlace video mode

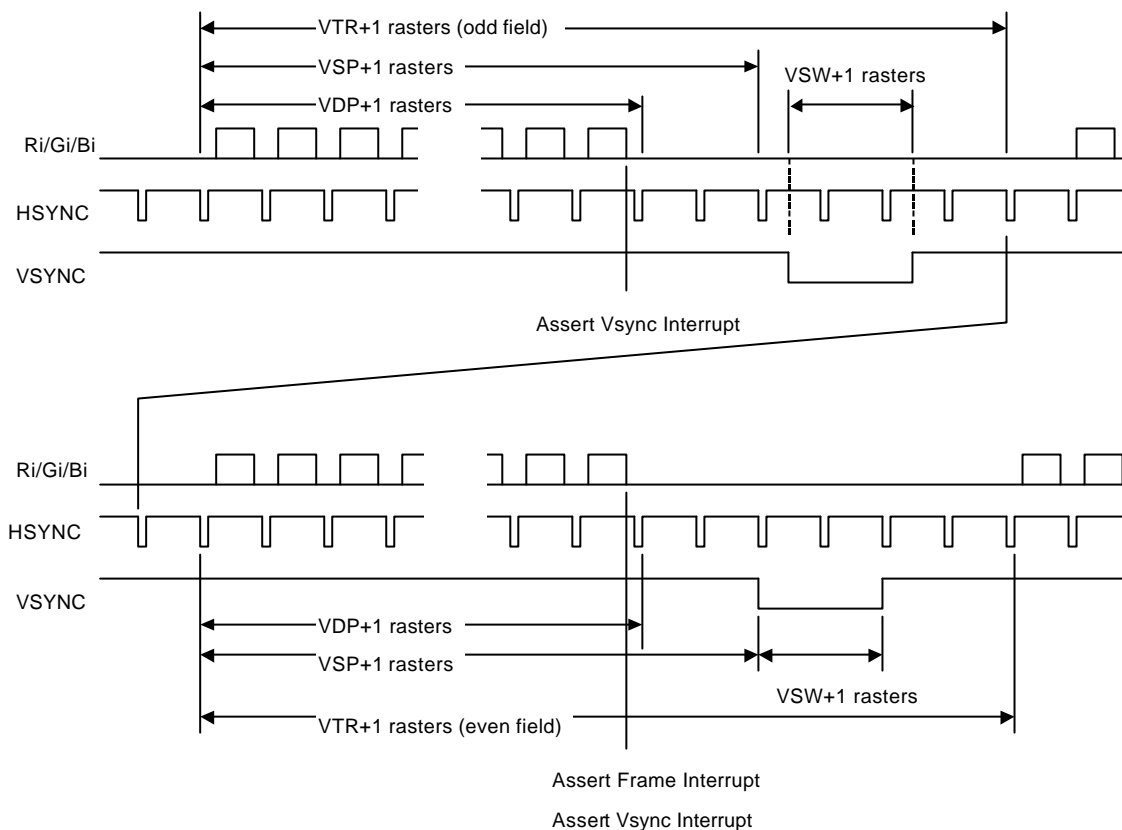


Fig. 11.11 Interlace Video Timing

In the above diagram, VTR, HDP, etc., are the setting values of their associated registers.

The interlace mode also operates at the same timing as the interlace video mode. The only difference between the two modes is the output image data.

11.4.3 Composite synchronous signal

When the EEQ bit of the DCM register is “0”, the CSYNC signal output waveform is as shown below.

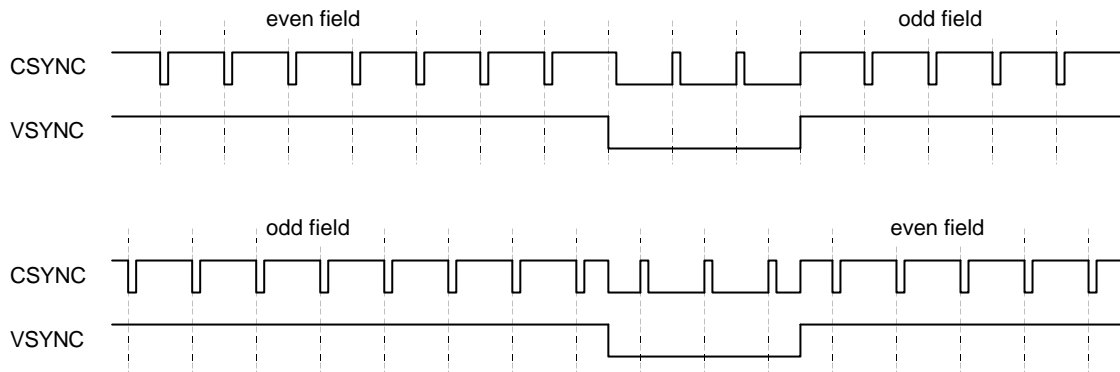


Fig 11.12 Composite Synchronous Signal without Equalizing Pulse

When the EEQ bit of the DCM register is “1”, the equalizing pulse is inserted into the CSYNC signal, producing the waveform shown below.

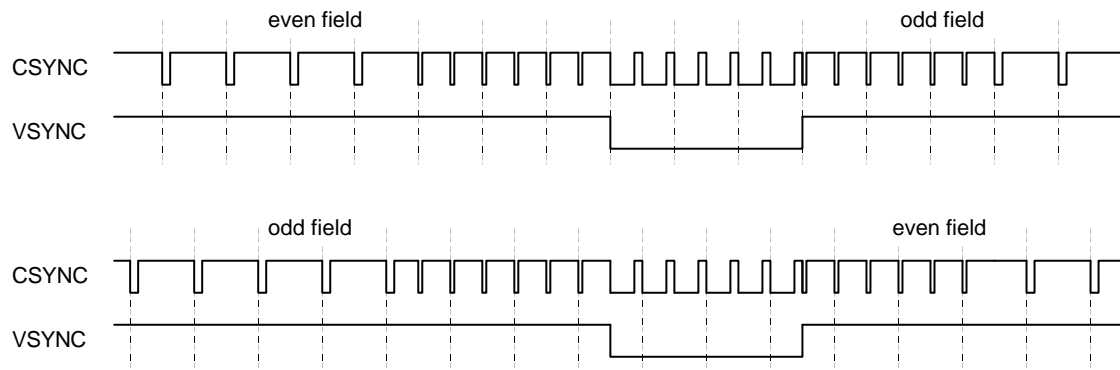


Fig 11.13 Composite Synchronous Signal with Equalizing Pulse

The equalizing pulse is inserted when the vertical blanking time period starts. It is also inserted three times after the vertical synchronization time period has elapsed.

12. ELECTRICAL CHARACTERISTICS

12.1 Introduction

The values in this chapter are valid for the final specification of MB86295.

12.2 Maximum Rating

Maximum Rating

Parameter	Symbol	Maximum rating	Unit
Power supply voltage	V_{DDL}^{*1} V_{DDH}	$-0.5 < V_{DDL} < 2.5$ $-0.5 < V_{DDH} < 4.0$	V
Input voltage	V_I	$-0.5 < V_I < V_{DDH} + 0.5 (< 4.0)$	V
Output current	I_O	± 13	mA
Power pin current	IPOW	68	mA
Ambient for storage temperature	TST	$-55 < TST < +125$	°C

*1 Includes PLL power supply

12.3 Recommended Operating Conditions

12.3.1 Recommended operating conditions

Recommended Operating Conditions

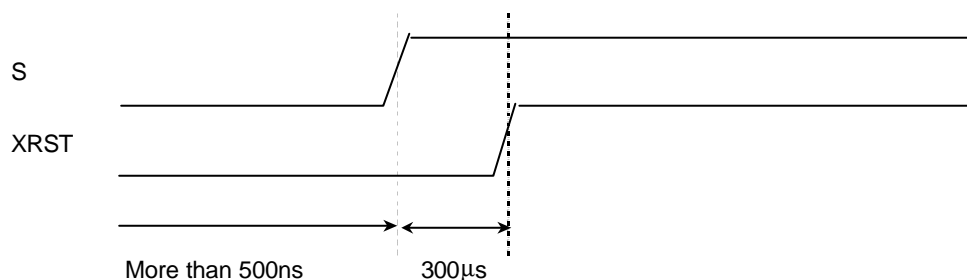
Parameter	Symbol	Rating			Unit
		Min.	Typ.	Max.	
Supply voltage	V_{DDL} *1	1.65	1.8	1.95	V
	V_{DDH}	3.0	3.3	3.6	
Input voltage (High level)	V_{IH}	2.0		$V_{DDH}+0.3$	V
Input voltage (low level)	V_{IL}	-0.3		0.8	V
Ambient temperature for operation	TA	-40		85	°C

*1 Includes PLL power supply

12.3.2 Note at power-on

- There is no restriction on the sequence of power-on/power-off between V_{DDL} and V_{DDH} . However, do not apply only V_{DDH} for more than a few seconds.
- Do not input HSYNC, VSYNC, and EO signals when the power supply voltage is not applied. (See the input voltage item in **Maximum rating**.)
- There reset sequences is as follows:

S is changed from “Low” to “High” levels and then XRST is changed from “Low” to “High” level:



Immediately after power-on, input the “Low” level to the S pin for 500 ns or more. After the S pin is set to “High” level, input the “Low” level to the XRST pins for 300 µs or more.

12.4 DC Characteristics

Measuring condition: $V_{DDL} = 1.8 \pm 1.5$ V, $V_{DDH} = 3.3 \pm 0.3$ V, $V_{SS} = 0.0$ V, $T_a = 0-70^\circ\text{C}$

Parameter	Symbol	Rating			Unit
		Min.	Typ.	Max.	
Output voltage ^{*1} ("High" level)	V_{OH}	$V_{DDH}-0.2$		V_{DDH}	V
Output voltage ^{*2} ("Low" level)	V_{OL}	0.0		0.2	V
Output current ("High" level)	I_{OH1} ^{*3} I_{OH2} ^{*4} I_{OH3} ^{*5}	-2.0 -4.0 -8.0			mA
Output current ("Low" level)	I_{OL1} ^{*3} I_{OL2} ^{*4} I_{OL3} ^{*5}	2.0 4.0 8.0			mA
Input leakage current	IL			± 5	μA
Pin capacitance	C			16	pF

*1 $I_{OH} = -100 \mu\text{A}$

*2 $I_{OL} = 100 \mu\text{A}$

*3 Output characteristics of MD0 to 63 and MDQM0 to 7 signals

*4 Output characteristics of signals other than signals indicated by *3 and *5

*5 Output characteristic of XINT and MCLK0 signals

12.5 AC Characteristics

12.5.1 Host interface

PCI Interface

Parameter	Signal	Abbrev.	Values			Units
			Min	Typ	Max	
PCI Clock Period	PCLK	t_{PCLKP}	30			ns
PCI Clock Low Time	PCLK	t_{PCLKL}	11			ns
PCI Clock High Time	PCLK	t_{PCLKH}	11			ns
PCI Input Setup (bussed signals)	AD[31:0], C/BE[3:0], PAR, FRAME, IRDY, TRDY, STOP, IDSEL, DEVSEL, PERR	t_{PS}	7			ns
PCI Input Setup (point-to-point signals)	GNT	t_{PSP}	10			ns
PCI Input Hold	AD[31:0], C/BE[3:0], PAR, FRAME, IRDY, TRDY, STOP, IDSEL, DEVSEL, PERR, GNT	t_{PH}	0			ns
PCI Output Delay	AD[31:0], C/BE[3:0], PAR, FRAME, IRDY, TRDY, STOP, IDSEL, DEVSEL, PERR, SERR, REQ	t_{PD}	2		11	ns

PCI EEPROM Interface

Parameter	Signal	Abbrev.	Values			Units
			Min	Typ	Max	
EEPROM Data Setup	EDI	T_{EDS}	5			ns
EEPROM Data Hold	EDI	T_{EDH}	5			ns

EEPROM Data Delay	EDO, ECK, ECS	T_{EDD}	3		20	ns
EEPROM Clock Period	ECK	T_{ECLKP}	1000			ns
EEPROM Clock Low Time	ECK	T_{ECLKL}	500			ns
EEPROM Clock High Time	ECK	t_{ECLKH}	500			ns

Serial Interface

Parameter	Signal	Abbrev.	Values			Units
			Min	Typ	Max	
Serial Strobe Delay	SB	T_{SSD}	-		-	ns
Serial Data Data	EDO	T_{SDD}	-		-	ns
Serial Data Setup	EDI	T_{SDS}	-			ns
Serial Data Hold	EDI	T_{SDH}	-			ns

12.5.2 I²C InterfaceI²C bus timing

symbol		MIN	MAX	unit
T _{S2SDAI}	SDA(I) setup time	standard	250	ns
		high-speed	100	ns
T _{H2SDAI}	SCL(I) hold time	standard	0	ns
		high-speed	0	ns
T _{CSCLI}	SCL(I) cycle time	standard	10.0	us
		high-speed	2.5	us
T _{WHSCLI}	SCL(I) H period	standard	4.0	us
		high-speed	0.6	us
T _{WLSCLI}	SCL(I) L period	standard	4.7	us
		high-speed	1.3	us
T _{CSALO}	SCL(O) cycle time	standard	$2*m+2^{(*)2}$	PCLK* ₁
		high-speed	$\text{int}(1.5*m)+2^{(*)2}$	PCLK* ₁
T _{WHSALO}	SCL(O) H period	standard	$m+2^{(*)2}$	PCLK* ₁
		high-speed	$\text{int}(0.5*m)+2^{(*)2}$	PCLK* ₁
T _{WLSALO}	SCL(O) L period	standard	$m^{(*)2}$	PCLK* ₁
		high-speed	$m^{(*)2}$	PCLK* ₁
T _{W2SCLI}	SCL(I) setup time	standard	4.0	us
		high-speed	0.6	us
T _{H2SCLI}	SCL(I) hold time	standard	4.7	us
		high-speed	1.3	us
T _{WBF1}	bus free time	standard	4.7	us
		high-speed	1.3	us
T _{S2SALO}	SCL(O) set up time	standard	$m+2^{(*)2}$	PCLK* ₁
		high-speed	$\text{int}(0.5*m)+2^{(*)2}$	PCLK* ₁
T _{H2SALO}	SCL(O) hold time	standard	$m-2^{(*)2}$	PCLK* ₁
		high-speed	$\text{int}(0.5*m)-2^{(*)2}$	PCLK* ₁
T _{H2SDAO}	SDA(O) hold time	5		PCLK* ₁

*1 PCLK is an internal clock of I2C module. (16.6MHz)

*2 Refer to the clock control register (CCR) for the value of m.

Timing of interrupt

symbol		MIN	MAX	unit
T _{PHINTR}	XINT delay (bus error)		4	PCLK
T _{PHINTR}	XINT delay (except bus error)		4	PCLK

12.5.3 Video interface

Clock

Parameter	Symbol	Condition	Rating			Unit
			Min.	Typ.	Max.	
CLK Frequency	f _{CLK}			14.318		MHz
CLK H-width	t _{HCLK}		25			ns
CLK L-width	t _{LCLK}		25			ns
DCLKI Frequency	f _{DCLKI}				67	MHz
DCLKI H-width	t _{HDCLKI}		5			ns
DCLKI L-width	t _{LDCLKI}		5			ns
DCLKO frequency	f _{DCLKO}				67	MHz

Input signals

Parameter	Symbol	Condition	Rating			Unit
			Min.	Typ.	Max.	
HSYNC Input pulse width	t _{WHSYNC0}	*1	3			clock
	t _{WHSYNC1}	*2	3			clock
HSYNC Input setup time	t _{SHSYNC}	*2	10			ns
HSYNC Input hold time	t _{HHSYNC}	*2	10			ns
VSYNC Input pulse width	t _{WHSYNC1}		1			HSYNC 1 cycle

*1 Applied only in PLL synchronization mode (CKS = 0), reference clock output from internal PLL (cycle = 1/14*f_{CLK})

*2 Applied only in DCLKI synchronization mode (CKS = 1), reference clock = DCLKI

Output signals

Parameter	Symbol	Condition	Rating			Unit
			Min.	Typ.	Max.	
RGB Output delay time	T _{RGB}		2		11	ns
DISPE Output delay time	t _{DEO}		2		10	ns
HSYNC Output delay time	t _{DHSYNC}		2		10	ns
VSYNC Output delay time	t _{DVSYNC}		2		10	ns
CSYNC Output delay time	t _{DCSYNC}		2		10	ns
GV Output delay time	t _{DGV}		2		10	ns

12.5.4 Graphics memory interface

An assumed external capacitance

Parameter	An assumed external capacitance			Unit
	Min	Typ	Max	
Board pattern	5.0		15.0	pF
SDRAM (CLK)	2.5		4.0	pF
SDRAM (D)	4.0		6.5	pF
SDRAM (A, DQM)	2.5		5.0	pF

Clock

Parameter	Symbol	Condition	Rating			Unit
			Min.	Typ.	Max.	
MCLKO Frequency	f_{MCLKO}				*1	MHz
MCLKO H-width	t_{HMCLKO}		1.0			ns
MCLKO L-width	t_{LMCLKO}		1.0			ns
MCLKI Frequency	f_{MCLKI}				*1	MHz
MCLKI H-width	t_{HMCLKI}		1.0			ns
MCLKI L-width	t_{LMCLKI}		1.0			ns

*1 For the bus-asynchronous mode, the frequency is 1/3 of the oscillation frequency of the internal PLL. For the bus-synchronous mode, the frequency is the same as the frequency of BCLKI.

Input signals

Parameter	Symbol	Condition	Rating			Unit
			Min.	Typ.	Max.	
MD Input data setup time	t_{MDIDS}	*2	2.0			ns
MD Input data hold time	t_{MDIDH}	*2	0.7			ns

*2 It means against MCLKI.

There are some cases regarding AC specifications of output signals.

The following tables shows typical twelve cases of external SDRFAM capacitance.

(1) External SDRAM capacitance case 1

External SDRAM capacitance

SDRAM x1	Total capacitance	Unit
MCLKO	9.8pF (DRAM CLK 2.5pF, Board pattern 5pF)	pF
MA,MRAS,MCAS,MWE	7.5pF (DRAM A.DQM 2.5pF, Board pattern 5pF)	pF
MD,DQM	9.0pF (DRAM D 4pF, Board pattern 5pF)	pF

Output signals

Parameter	Symbol	Condition	Rating *1			Unit
			Min.	Typ.	Max.	
MCLKI signal delay time against MCLKO	t_{DID}		0		4.2	ns
MA, MRAS, MCAS, MWE Access time	t_{MAD}		1.0		5.0	ns
MDQM Access time	t_{MDQMD}		1.1		5.4	ns
MD Output access time	t_{MDOD}		1.1		5.4	ns

(2) External SDRAM capacitance case 2

External SDRAM capacitance

SDRAM x1	Total capacitance	Unit
MCLKO	24.8pF (DRAM CLK 4.0pF, Board pattern 15pF)	pF
MA,MRAS,MCAS,MWE	20.0pF (DRAM A.DQM 5pF, Board pattern 15pF)	pF
MD,DQM	21.5pF (DRAM D 6.5pF, Board pattern 15pF)	pF

Output signals

Parameter	Symbol	Condition	Rating *1			Unit
			Min.	Typ.	Max.	
MCLKI signal delay time against MCLKO	t_{DID}		0		3.5	ns
MA, MRAS, MCAS, MWE Access time	t_{MAD}		1.0		5.2	ns
MDQM Access time	t_{MDQMD}		1.2		5.5	ns
MD Output access time	t_{MDOD}		1.2		5.5	ns

(3) External SDRAM capacitance case 3**External SDRAM capacitance**

SDRAM x2	Total capacitance	Unit
MCLKO	12.3pF (DRAM CLK 2.5pF x2, Board pattern 5pF)	pF
MA,MRAS,MCAS,MWE	10.0pF (DRAM A.DQM 2.5pF x2, Board pattern 5pF)	pF
MD,DQM	9.0pF (DRAM D 4pF, Board pattern 5pF)	pF

Output signals

Parameter	Symbol	Condition	Rating *1			Unit
			Min.	Typ.	Max.	
MCLKI signal delay time against MCLKO	t_{DID}		0		4.1	ns
MA, MRAS, MCAS, MWE Access time	t_{MAD}		1.0		5.0	ns
MDQM Access time	t_{MDQMD}		1.1		5.2	ns
MD Output access time	t_{MDOD}		1.1		5.2	ns

(4) External SDRAM capacitance case 4**External SDRAM capacitance**

SDRAM x2	Total capacitance	Unit
MCLKO	28.8pF (DRAM CLK 4.0pF x2, Board pattern 15pF)	pF
MA,MRAS,MCAS,MWE	25.0pF (DRAM A.DQM 5pF x2, Board pattern 15pF)	pF
MD,DQM	21.5pF (DRAM D 6.5pF, Board pattern 15pF)	pF

Output signals

Parameter	Symbol	Condition	Rating *1			Unit
			Min.	Typ.	Max.	
MCLKI signal delay time against MCLKO	t_{DID}		0		3.4	ns
MA, MRAS, MCAS, MWE Access time	t_{MAD}		1.1		5.4	ns
MDQM Access time	t_{MDQMD}		1.1		5.5	ns
MD Output access time	t_{MDOD}		1.1		5.5	ns

(5) External SDRAM capacitance case 5**External SDRAM capacitance**

SDRAM x4	Total capacitance	Unit
MCLKO	17.3pF (DRAM CLK 2.5pF x4, Board pattern 5pF)	pF
MA,MRAS,MCAS,MWE	15.0pF (DRAM A.DQM 2.5pF x4, Board pattern 5pF)	pF
MD,DQM	9.0pF (DRAM D 4pF, Board pattern 5pF)	pF

Output signals

Parameter	Symbol	Condition	Rating *1			Unit
			Min.	Typ.	Max.	
MCLKI signal delay time against MCLKO	t_{DID}		0		3.9	ns
MA, MRAS, MCAS, MWE Access time	t_{MAD}		1.0		5.2	ns
MDQM Access time	t_{MDQMD}		1.0		5.0	ns
MD Output access time	t_{MDOD}		1.0		5.0	ns

(6) External SDRAM capacitance case 6**External SDRAM capacitance**

SDRAM x4	Total capacitance	Unit
MCLKO	36.8pF (DRAM CLK 4.0pF x4, Board pattern 15pF)	pF
MA,MRAS,MCAS,MWE	35.0pF (DRAM A.DQM 5pF x4, Board pattern 15pF)	pF
MD,DQM	21.5pF (DRAM D 6.5pF, Board pattern 15pF)	pF

Output signals

Parameter	Symbol	Condition	Rating *1			Unit
			Min.	Typ.	Max.	
MCLKI signal delay time against MCLKO	t_{DID}		0		3.4	ns
MA, MRAS, MCAS, MWE Access time	t_{MAD}		1.2		5.7	ns
MDQM Access time	t_{MDQMD}		1.0		5.3	ns
MD Output access time	t_{MDOD}		1.0		5.3	ns

(7) External SDRAM capacitance case 7**External SDRAM capacitance**

SDRAM x1	Total capacitance	Unit
-----------------	--------------------------	-------------

MCLKO	10.0pF (DRAM CLK 2.5pF, Board pattern 5pF)	pF
MA,MRAS,MCAS,MWE	7.5pF (DRAM A.DQM 2.5pF, Board pattern 5pF)	pF
MD,DQM	9.0pF (DRAM D 4pF, Board pattern 5pF)	pF

Output signals

Parameter	Symbol	Condition	Rating *1			Unit
			Min.	Typ.	Max.	
MCLKI signal delay time against MCLKO	t_{DID}		0		4.2	ns
MA, MRAS, MCAS, MWE Access time	t_{MAD}		1.0		5.0	ns
MDQM Access time	t_{MDQMD}		1.1		5.4	ns
MD Output access time	t_{MDOD}		1.1		5.4	ns

(8) External SDRAM capacitance case 8**External SDRAM capacitance**

SDRAM x1	Total capacitance	Unit
MCLKO	25.0pF (DRAM CLK 4.0pF, Board pattern 15pF)	pF
MA,MRAS,MCAS,MWE	20.0pF (DRAM A.DQM 5pF, Board pattern 15pF)	pF
MD,DQM	21.5pF (DRAM D 6.5pF, Board pattern 15pF)	pF

Output signals

Parameter	Symbol	Condition	Rating *1			Unit
			Min.	Typ.	Max.	
MCLKI signal delay time against MCLKO	t_{DID}		0		3.5	ns
MA, MRAS, MCAS, MWE Access time	t_{MAD}		1.0		5.2	ns
MDQM Access time	t_{MDQMD}		1.2		5.5	ns
MD Output access time	t_{MDOD}		1.2		5.5	ns

(9) External SDRAM capacitance case 9**External SDRAM capacitance**

SDRAM x2	Total capacitance	Unit
MCLKO	12.5pF (DRAM CLK 2.5pF x2, Board pattern 5pF)	pF
MA,MRAS,MCAS,MWE	10.0pF (DRAM A.DQM 2.5pF x2, Board pattern 5pF)	pF
MD,DQM	9.0pF (DRAM D 4pF, Board pattern 5pF)	pF

Output signals

Parameter	Symbol	Condition	Rating *1			Unit
			Min.	Typ.	Max.	
MCLKI signal delay time against MCLKO	t_{DID}		0		4.1	ns
MA, MRAS, MCAS, MWE Access time	t_{MAD}		1.0		5.0	ns
MDQM Access time	t_{MDQMD}		1.1		5.2	ns
MD Output access time	t_{MDOD}		1.1		5.2	ns

(10) External SDRAM capacitance case 10**External SDRAM capacitance**

SDRAM x2	Total capacitance	Unit
MCLKO	29pF (DRAM CLK 4.0pF x2, Board pattern 15pF)	pF
MA,MRAS,MCAS,MWE	25.0pF (DRAM A.DQM 5pF x2, Board pattern 15pF)	pF
MD,DQM	21.5pF (DRAM D 6.5pF, Board pattern 15pF)	pF

Output signals

Parameter	Symbol	Condition	Rating *1			Unit
			Min.	Typ.	Max.	
MCLKI signal delay time against MCLKO	t_{DID}		0		3.4	ns
MA, MRAS, MCAS, MWE Access time	t_{MAD}		1.1		5.4	ns
MDQM Access time	t_{MDQMD}		1.1		5.5	ns
MD Output access time	t_{MDOD}		1.1		5.5	ns

(11) External SDRAM capacitance case 11

External SDRAM capacitance

SDRAM x4	Total capacitance	Unit
MCLKO	17.5pF (DRAM CLK 2.5pF x4, Board pattern 5pF)	pF
MA,MRAS,MCAS,MWE	15.0pF (DRAM A.DQM 2.5pF x4, Board pattern 5pF)	pF
MD,DQM	9.0pF (DRAM D 4pF, Board pattern 5pF)	pF

Output signals

Parameter	Symbol	Condition	Rating *1			Unit
			Min.	Typ.	Max.	
MCLKI signal delay time against MCLKO	t _{DID}		0		3.9	ns
MA, MRAS, MCAS, MWE Access time	t _{MAD}		1.0		5.2	ns
MDQM Access time	t _{MDQMD}		1.0		5.0	ns
MD Output access time	t _{MDOD}		1.0		5.0	ns

(12) External SDRAM capacitance case 12

External SDRAM capacitance

SDRAM x4	Total capacitance	Unit
MCLKO	37.0pF (DRAM CLK 4.0pF x4, Board pattern 15pF)	pF
MA,MRAS,MCAS,MWE	35.0pF (DRAM A.DQM 5pF x4, Board pattern 15pF)	pF
MD,DQM	21.5pF (DRAM D 6.5pF, Board pattern 15pF)	pF

Output signals

Parameter	Symbol	Condition	Rating *1			Unit
			Min.	Typ.	Max.	
MCLKI signal delay time against MCLKO	t _{DID}		0		3.4	ns
MA, MRAS, MCAS, MWE Access time	t _{MAD}		1.2		5.7	ns
MDQM Access time	t _{MDQMD}		1.0		5.3	ns
MD Output access time	t _{MDOD}		1.0		5.3	ns

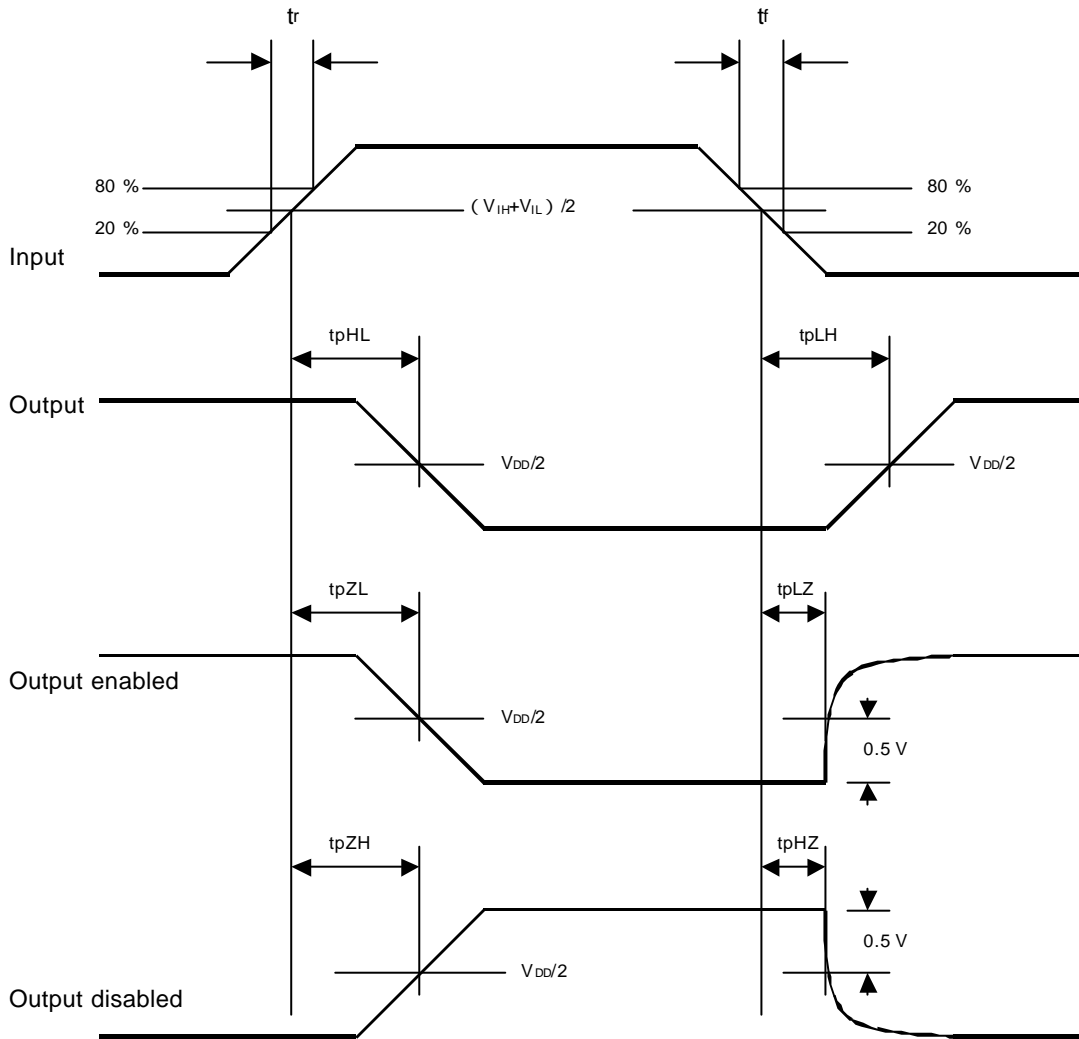
12.5.5 PLL specifications

Parameter	Rating	Description
Input frequency (typ.)	14.31818 MHz	
Output frequency	400.9090 MHz	× 28
Duty ratio	101.6 to 93.0%	H/L Pulse width ratio of PLL output
Jitter	60 to -60 ps	Frequency tolerant of two consecutive clock cycles

CLKSEL1	CLKSEL1	Input frequency	Assured operation range (*1)
L	L	13.5 MHz	13.365 to 13.5 MHz
L	H	14.32 MHz	14.177 to 14.32 MHz
H	L	17.73 Hz	17.553 to 17.73 MHz

*1 Assured operation input frequency range: Standard value -1%

12.6 AC Characteristics Measuring Conditions



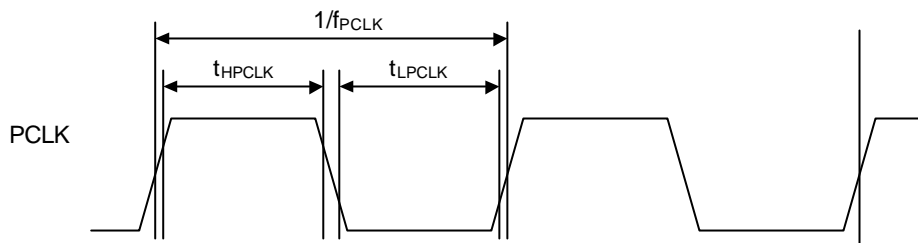
$t_r, t_f \leq 5 \text{ ns}$

$V_{IH} = 2.0 \text{ V}, V_{IL} = 0.8 \text{ V}$ (3.3-V CMOS interface input)

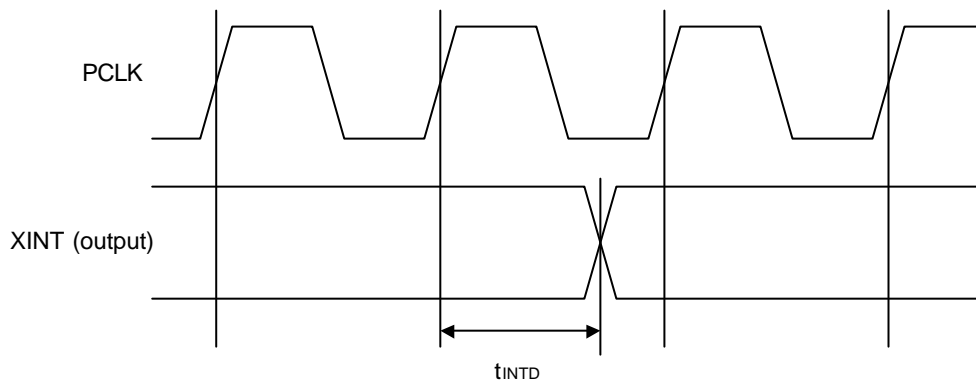
12.7 Timing Diagram

12.7.1 Host interface

Clock

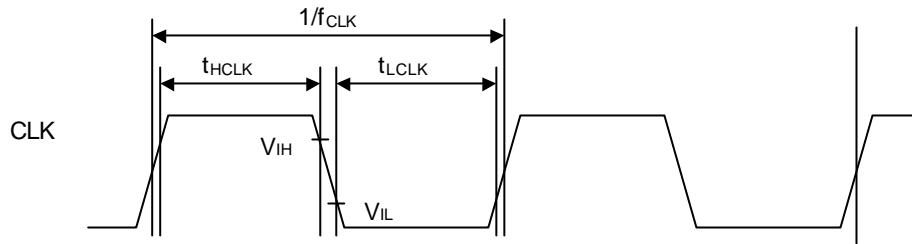


XINT output delay times

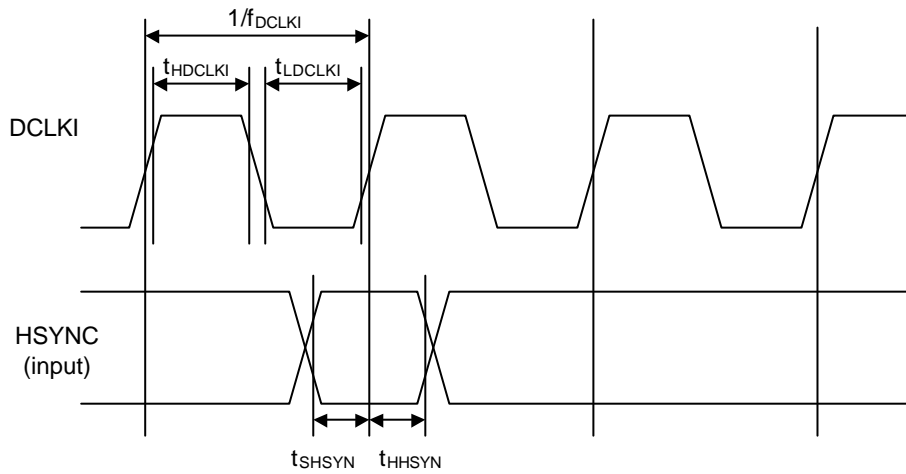


12.7.2 Video interface

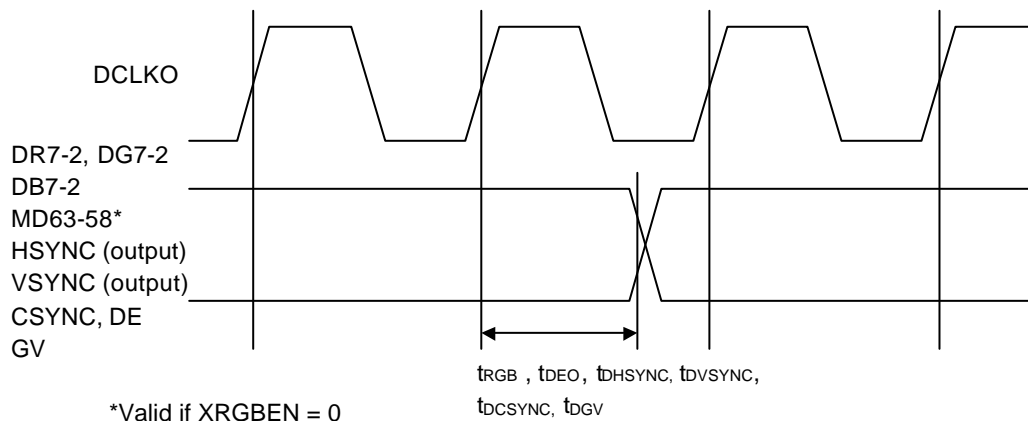
Clock



HSYNC signal setup/hold

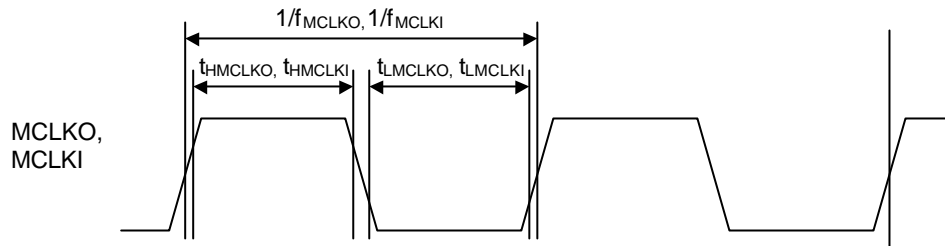


Output signal delay

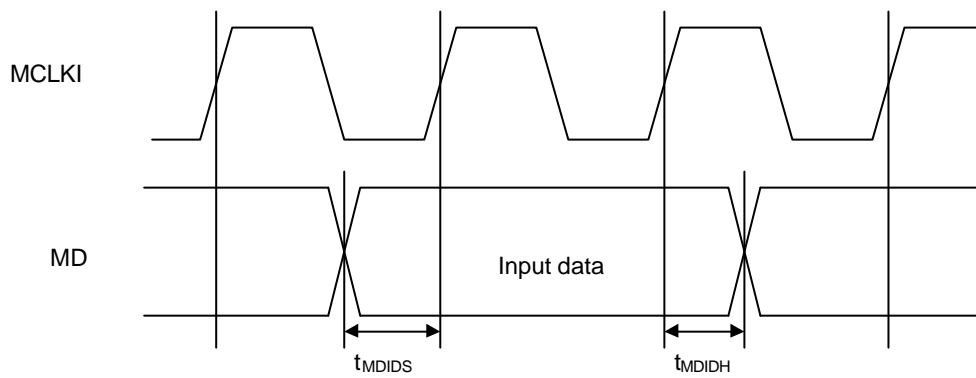


12.7.3 Graphics memory interface

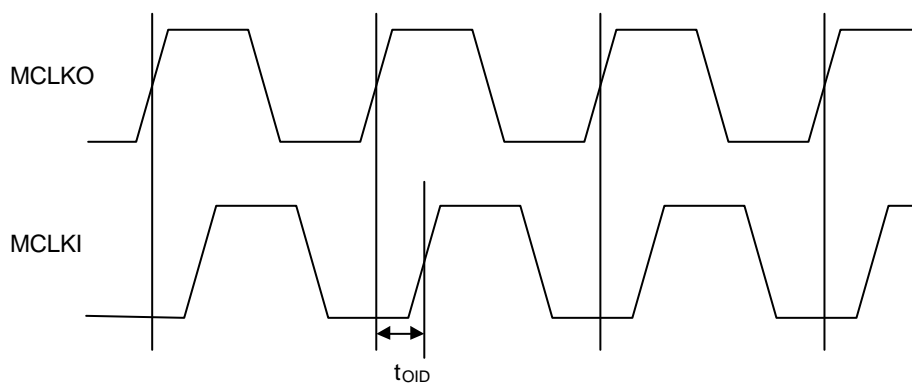
Clock



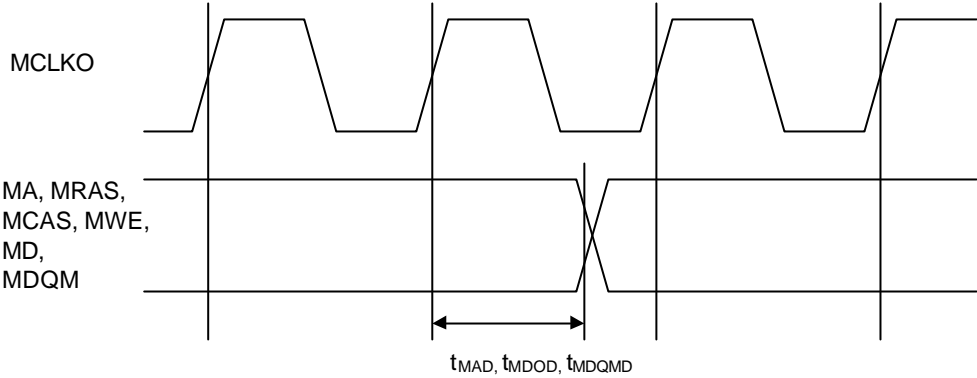
Input signal setup/hold time



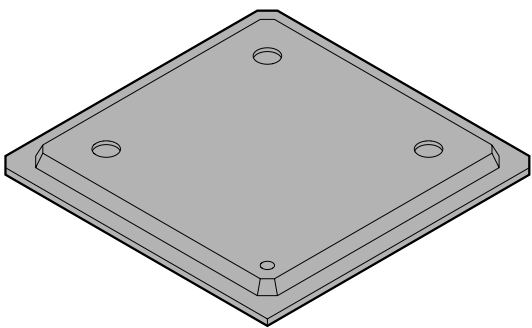
MCLKI signal delay

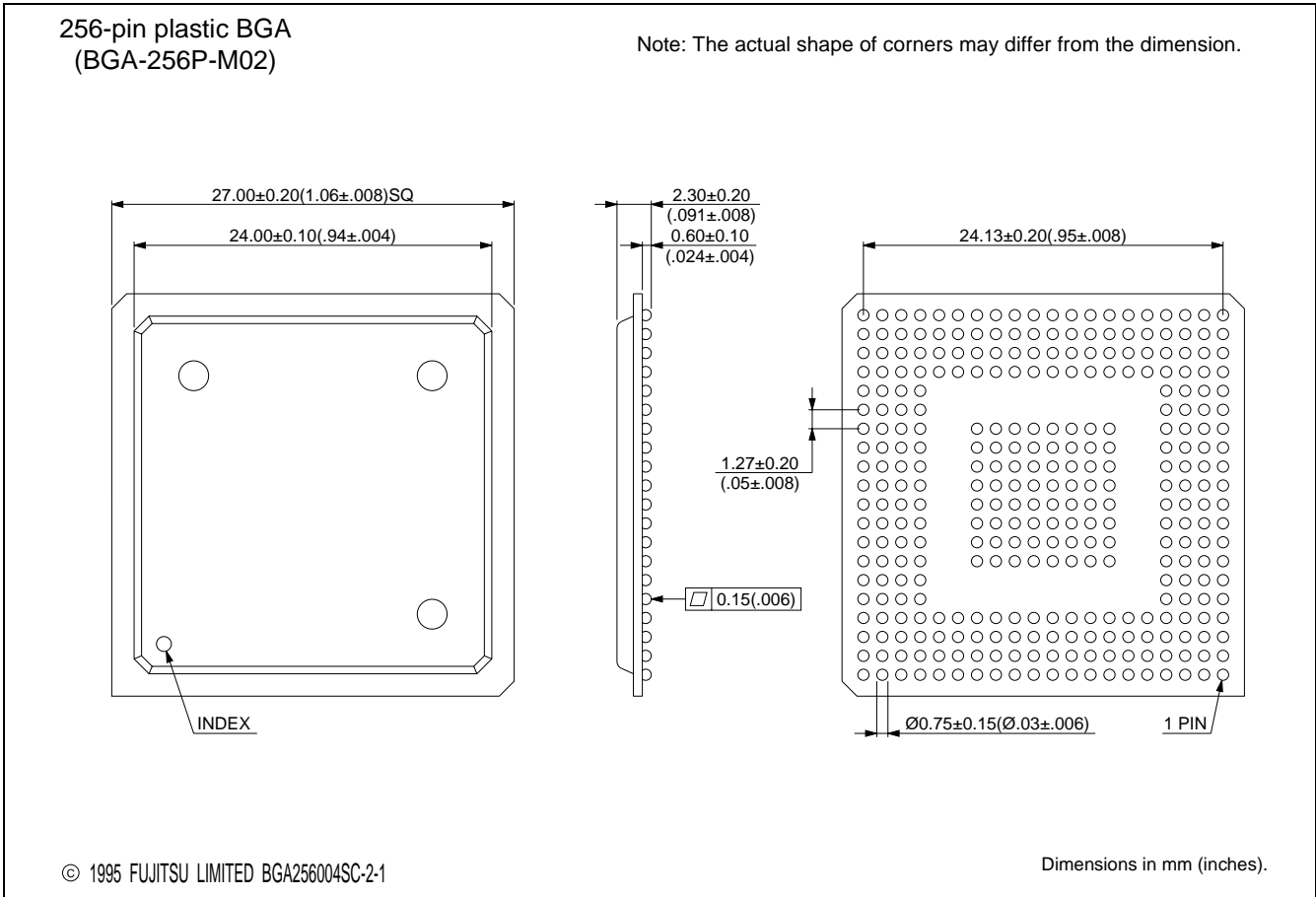


Output signal delay



BGA-256P-M02

<p>256-pin plastic BGA</p>  <p>(BGA-256P-M02)</p>	Lead pitch	50 mil
	Pin matrix	20
	Sealing method	Plastic mold



The contents of this document are subject to change without notice. Customers are advised to consult with FUJITSU sales representatives before ordering. FUJITSU is unable to assume responsibility for infringement of any patent rights or other rights of third parties arising from the use of the information or package dimensions in this document.