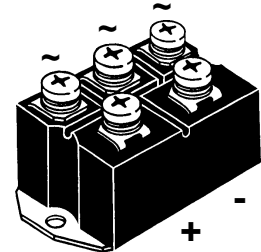
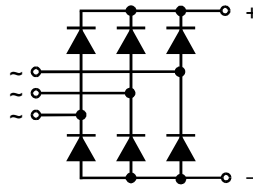


# Three Phase Rectifier Bridge

**I<sub>dAV</sub> = 63/88 A**  
**V<sub>RRM</sub> = 800-1800 V**

V <sub>RSM</sub> V	V <sub>RRM</sub> V	Type	
600	600	VUO 62-06NO7	VUO 82-06NO7
800	800	VUO 62-08NO7	VUO 82-08NO7
1200	1200	VUO 62-12NO7	VUO 82-12NO7
1400	1400	VUO 62-14NO7	VUO 82-14NO7
1600	1600	VUO 62-16NO7	VUO 82-16NO7
1800	1800	VUO 62-18NO7*	VUO 82-18NO7*



\* delivery time on request

Symbol	Test Conditions	Maximum Ratings			
		VUO 62		VUO 82	
I <sub>dAV</sub>	T <sub>C</sub> = 110°C, module	63	88	A	
I <sub>dAV</sub>	T <sub>A</sub> = 45°C (R <sub>thCA</sub> = 0.6 K/W), module	48	57	A	
I <sub>FSM</sub>	T <sub>VJ</sub> = 45°C; V <sub>R</sub> = 0	t = 10 ms (50 Hz), sine	550	750	A
		t = 8.3 ms (60 Hz), sine	600	820	A
I <sup>2</sup> t	T <sub>VJ</sub> = T <sub>VJM</sub> ; V <sub>R</sub> = 0	t = 10 ms (50 Hz), sine	500	670	A
		t = 8.3 ms (60 Hz), sine	550	740	A
I <sup>2</sup> t	T <sub>VJ</sub> = 45°C; V <sub>R</sub> = 0	t = 10 ms (50 Hz), sine	1520	2800	A <sup>2</sup> s
		t = 8.3 ms (60 Hz), sine	1520	2800	A <sup>2</sup> s
I <sup>2</sup> t	T <sub>VJ</sub> = T <sub>VJM</sub> ; V <sub>R</sub> = 0	t = 10 ms (50 Hz), sine	1250	2250	A <sup>2</sup> s
		t = 8.3 ms (60 Hz), sine	1250	2250	A <sup>2</sup> s
T <sub>VJ</sub>		-40...+150		°C	
T <sub>VJM</sub>		150		°C	
T <sub>stg</sub>		-40...+125		°C	
V <sub>ISOL</sub>	50/60 Hz, RMS; I <sub>ISOL</sub> ≤ 1 mA	t = 1 min	2500	V~	
		t = 1 s	3000	V~	
M <sub>d</sub>	Mounting torque (M5); Terminal connection torque (M5)	5 ± 15 %		Nm	
		5 ± 15 %		Nm	
Weight	typ.	160		g	

### Features

- Package with screw terminals
- Isolation voltage 3000 V~
- Planar passivated chips
- Blocking voltage up to 1800 V
- Low forward voltage drop
- UL registered E72873

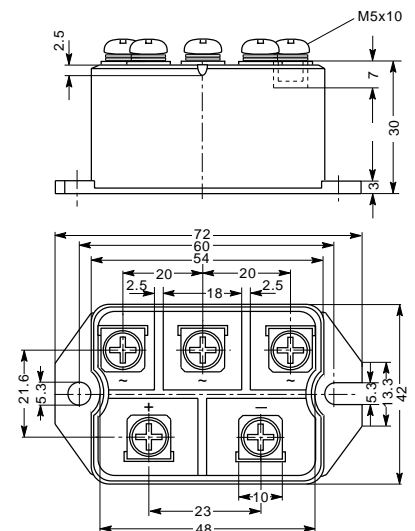
### Applications

- Supplies for DC power equipment
- Input rectifiers for PWM inverter
- Battery DC power supplies
- Field supply for DC motors

### Advantages

- Easy to mount with two screws
- Space and weight savings
- Improved temperature and power cycling

### Dimensions in mm (1 mm = 0.0394")



Symbol	Test Conditions	Characteristic Values		
		VUO 62		VUO 82
I <sub>R</sub>	V <sub>R</sub> = V <sub>RRM</sub> ; T <sub>VJ</sub> = 25°C	≤ 0.3	0.3	mA
	V <sub>R</sub> = V <sub>RRM</sub> ; T <sub>VJ</sub> = T <sub>VJM</sub>	≤ 5	5	mA
V <sub>F</sub>	I <sub>F</sub> = 150 A; T <sub>VJ</sub> = 25°C	≤ 1.8	1.6	V
V <sub>T0</sub>	For power-loss calculations only	0.8	0.8	V
r <sub>T</sub>		8	5	mΩ
R <sub>thJC</sub>	per diode	1.45	1.1	K/W
	per module	0.24	0.183	K/W
R <sub>thJH</sub>	per diode	1.87	1.52	K/W
	per module	0.31	0.253	K/W
d <sub>s</sub>	Creeping distance on surface	10		mm
d <sub>A</sub>	Creepage distance in air	9.4		mm
a	Max. allowable acceleration	50		m/s <sup>2</sup>

Data according to IEC 60747 and refer to a single diode unless otherwise stated. IXYS reserves the right to change limits, test conditions and dimensions.